



DIRECTIONALS

12V LED VEGAS SP995

Project: _____

Fixture Type: _____

Location: _____

Contact/Phone: _____

PRODUCT DESCRIPTION

The Juno Quick Jack LED SP995 Directional approximates the light output of 20W MR11 halogen lamps, utilizing less than 1/3 the energy with a rated life of 50,000 hours. Available in 2700K, 3000K and 4100K color temperatures, the white-light SP995 utilizes Juno's proprietary Quick Jack system for installation on MonoPoints powered by Juno® LED approved 12V AC transformers. Adapters are also available for mounting on line voltage Juno MonoLine® and Juno Trac-Master®, Flex 12® and Trac 12®.



ORDERING INFORMATION

Model	Shade	Color Temperature	Beam Spread	Hardware Finish	Shade Finish	Example
SP9	95	2	S	STN	AMB	SP995-2S-STN-AMB
		2 2700K	S Spot	STN Satin Nickel	AMB Amber	
		3 3000K	N Narrow Flood		BLU Blue	
		4 4100K	F Flood		CLR Clear	
					FRT Frost	
					STN Satin Nickel	

PRODUCT SPECIFICATIONS

LED Lumileds LUXEON® Rebel LEDs provide outstanding reliability, performance and color quality/consistency

- 2700K, 3000K or 4100K white phosphor high performance LEDs designed to operate using 12-volt AC input
- Provides 85 CRI typical.

Housing Precision machined aluminum construction.

Aiming 90° vertical aiming capability and 360° horizontal coverage.

Electrical Contacts Beryllium copper.

Dimming May be dimmed with dimmers tested and qualified by Juno Lighting Group • Color temperature remains constant over dimming range • Consult factory for additional information.

Warranty Warranty period of 5 years on LED components

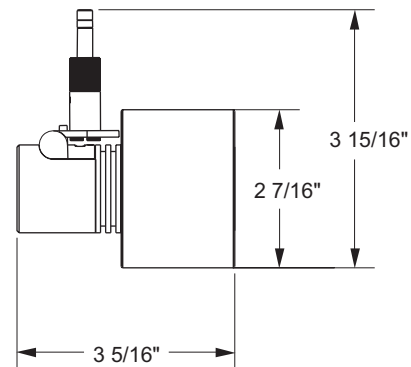
- Standard Juno Lighting Group product guarantee terms and conditions apply
- Continuously operating the SP995 above 12VAC will void the warranty.

Labels UL/cUL listed.

Product specifications subject to change without notice.

LUXEON is a registered trademark of the Philips Lumileds Lighting Company

DIMENSIONS



DIRECTIONALS

12V LED

VEGAS

SP995

PERFORMANCE DATA¹

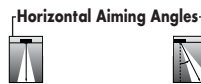
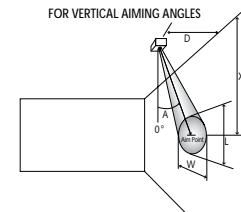
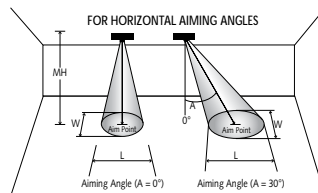
Catalog Number	Input Voltage	Watts (Maximum)	Lumens	Efficacy (LPW)	Rated Life (Hours)
SP995-2S	12.0V	6W	180	27	50,000
SP995-2N	12.0V	6W	176	27	50,000
SP995-2F	12.0V	6W	164	25	50,000
SP995-3S	12.0V	6W	189	29	50,000
SP995-3N	12.0V	6W	185	28	50,000
SP995-3F	12.0V	6W	173	26	50,000
SP995-4S	12.0V	6W	210	32	50,000
SP995-4N	12.0V	6W	206	31	50,000
SP995-4F	12.0V	6W	193	29	50,000

¹Performance data, including Rated Life, is based on measurements of an individual fixture operating in a 25 °C ambient. In practice, multiple fixtures used in a system will average slightly lower power consumption due to voltage drop within the system.

Note: For operation at 11.5 volts multiply Lumens by 0.94.

CBCP • Centerbeam candlepower
FC • Footcandles at beam center (aim point)

In vertical aiming applications, aim point (X) is determined by dividing distance from the wall (D) by the tangent of the desired aim angle (A) (0.5774 for 30°, 1.0 for 45°, 1.732 for 60°).



Fixture	Beam Type	Beam Spread°	Rated Life	CBCP	0°			30°			30°			45°			60°								
					MH	FC	L	W	FC	L	W	D	FC	X	L	W	FC	X	L	W	D	FC	X	L	W
SP995-3K-SP Spot	SP	16°	50000	1292	2	323	0.6	0.6	210	0.8	0.6	1	162	1.7	1.2	0.6	457	1.0	0.6	0.4	2	210	1.2	0.8	0.6
					4	81	1.1	1.1	52	1.5	1.3	2	40	3.5	2.4	1.1	114	2.0	1.1	0.8	3	93	1.7	1.1	1.0
					6	36	1.7	1.7	23	2.3	1.9	3	18	5.2	3.6	1.7	51	3.0	1.7	1.2	4	52	2.3	1.5	1.3
					8	20	2.2	2.2	13	3.0	2.6	4	10	6.9	4.8	2.2	29	4.0	2.3	1.6	5	34	2.9	1.9	1.6
					10	13	2.8	2.8	8	3.8	3.2	5	6	8.7	6.0	2.8	18	5.0	2.9	2.0	6	23	3.5	2.3	1.9
SP995-3K-NFL Narrow Flood	NFL	22°	50000	764	2	191	0.8	0.8	124	1.0	0.9	1	96	1.7	1.8	0.8	270	1.0	0.8	0.5	1	221	0.9	0.8	0.7
					4	48	1.6	1.6	31	2.1	1.8	1.5	42	2.6	2.6	1.2	120	1.5	1.2	0.8	2	124	1.2	1.0	0.9
					6	21	2.3	2.3	14	3.1	2.7	2	24	3.5	3.5	1.6	68	2.0	1.6	1.1	3	55	1.7	1.6	1.3
					8	12	3.1	3.1	8	4.2	3.6	2.5	15	4.3	4.4	1.9	43	2.5	2.0	1.4	4	31	2.3	2.1	1.8
					10	8	3.9	3.9	5	5.2	4.5	3	11	5.2	5.3	2.3	30	3.0	2.4	1.6	5	20	2.9	2.6	2.2
SP995-3K-FL Flood	FL	38°	50000	340	2	85	1.4	1.4	55	1.9	1.6	0.5	170	0.9	2.1	0.7	481	0.5	0.8	0.5	1	221	0.6	1.0	0.8
					3	38	2.1	2.1	25	2.9	2.4	1	43	1.7	4.3	1.4	120	1.0	1.6	1.0	2	55	1.2	1.9	1.6
					4	21	2.8	2.8	14	3.8	3.2	1.5	19	2.6	6.4	2.1	53	1.5	2.3	1.5	3	25	1.7	2.9	2.4
					5	14	3.4	3.4	9	4.8	4.0	2	11	3.5	8.6	2.8	30	2.0	3.0	1.9	4	14	2.3	3.8	3.2
					6	9	4.1	4.1	6	5.7	4.8	2.5	7	4.3	10.7	3.4	19	2.5	3.9	2.4	5	9	2.9	4.8	4.0

For 4100K fixtures, use 1.11 multiplier.

