



# RECESSED DOWNLIGHT

1-3/4" LENSED  
REGRESSED PINHOLE  
IC Rated, 50W PAR20 or  
45W PAR16



**IC13N, 4302N TRIM**

## PRODUCT DESCRIPTION

Recessed PAR20/PAR16 downlight luminaire with 1 3/4" regressed pinhole featuring stippled uniformity lens on the aperture protects lamp from water. Fixture has 50° visual cutoff to lamp and lamp image. Sealed Air-Loc housing eliminates leak-paths to ensure maximum energy savings and controls plenum sound transmission. IC rated housing for use in direct contact with insulation.

## PRODUCT SPECIFICATIONS

**Reflector** .040" aluminum parabolic reflector in black Alzak finish shields housing interior.

**Trims Style** Flush Mount trims utilize torsion spring retention for tight, secure fit to ceiling • Flush Mount trim creates a truly trimless  
• For flush mount installations in drywall ceilings use the FMA4 flush mount adapter • For flush mount installations in wood, stone, or tile ceilings the FMA4-SC\*\*\* must be used (specify ceiling thickness and adapter finish).

**Socket** Medium base porcelain socket with nickel plated copper screw shell.

**Lamp** One 50W PAR20 or 45W PAR16 lamp.

**Codes/Labels** UL and cUL listed for direct contact with insulation, through-branch wiring, wet locations • Meets energy code Air Leakage requirements per ASTM E283 • Product thermally protected • Union made.

**Proprietary Bar Hanger System** Patent pending Pro-VI™, telescoping bar hanger system with locking set screws, permits quick placement of housing within 24" O.C. joists or suspended ceilings  
• Robust bar eliminates flexing regardless of fixture position  
• Integral T-bar notch with locking tabs secures housing to suspended ceiling grid  
• Captive bugle-headed ring shank nail for quick one-step installation  
• Bar Hanger foot aligns to bottom of construction joist and breaks away for use in suspended ceilings.

**Junction Box** Rated for 4 No. 12 AWG 90° C through branch circuit conductors and includes (6) 1/2", (1) 3/4", and (4) Non-metallic sheathed cable knock-outs • Push-in electrical connectors for field connections.

**Housing/Mounting Frame** Steel plaster frame and aluminum housing painted black for visually dark interior • V-Notch in plaster frame aids fixture alignment during installation • Patent pending Tru-Line™ Adjustment Mechanism featuring +/- 1/2" translation aids fixture alignment after installation, prior to drywall.

**Ceiling Thickness** 1/2" - 7/8" ceiling standard • For thicker ceilings, order CTA4N-125 (7/8"-1 1/4"), CTA4N-163 (1 1/4"-1 5/8") or CTA4N-200 (1 5/8"-2") • CTA4N not required for wood, stone, or tile flush mount applications.

Project: \_\_\_\_\_

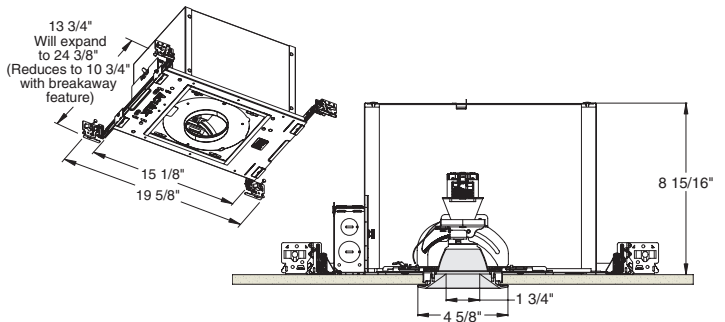
Fixture Type: \_\_\_\_\_

Location: \_\_\_\_\_

Contact/Phone: \_\_\_\_\_



## DIMENSIONS



4 1/4" CEILING CUTOUT  
(REFER TO INSTRUCTION SHEET FOR  
FLUSH MOUNT CEILING CUTOUT)

### Housings

Catalog #	Description
IC13N	Line Voltage Recessed

### Flush Mount Adapters

FMA4	Description
FMA4-SC087-WH	Wood, Stone, Tile, 1/2"-7/8" Thick Ceiling, Adapter, White
FMA4-SC087-BL	Wood, Stone, Tile, 1/2"-7/8" Thick Ceiling, Adapter, Black
FMA4-SC125-WH	Wood, Stone, Tile, 7/8"-1 1/4" Thick Ceiling, Adapter, White
FMA4-SC125-BL	Wood, Stone, Tile, 7/8"-1 1/4" Thick Ceiling, Adapter, Black
FMA4-SC163-WH	Wood, Stone, Tile, 1 1/4"-1 5/8" Thick Ceiling, Adapter, White
FMA4-SC163-BL	Wood, Stone, Tile, 1 1/4"-1 5/8" Thick Ceiling, Adapter, Black

### Misc. Accessories

CTA4N-125	1 1/4" Thick Ceiling Adapter
CTA4N-163	1 5/8" Thick Ceiling Adapter
CTA4N-200	2" Thick Ceiling Adapter

To order, specify catalog number.

### 1 3/4" Lensed Regressed Downlight Pinhole



Trim Ring	Flush Mount <sup>1</sup>	Description
4302N-WH	4302N-WH-FM	White Trim Ring
4302N-BL	4302N-BL-FM	Black Trim Ring

<sup>1</sup>Flush Mount trims must be used with Flush Mount Adapter, ordered separately.  
Product specifications subject to change without notice.

**PHOTOMETRIC REPORT**

Catalog Number: IC13N (4302N-WH)

Test Number: PT11110701R

Total Luminaire Efficiency: 55.7%

Luminaire Spacing Criteria: 0.28

Luminaire: 1 3/4" Regressed pinhole trim. Stippled Uniformity Lens.

Lamps: One 45PAR16/SP10, rated at 420 total lumens.

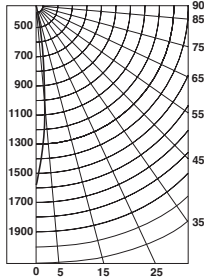
**Initial Footcandles**

Distance to Illuminated Plane (feet)	Footcandles Beam Center	Footcandles Beam Edge	Beam Diameter
6'	43.9	22.0	1.6'
7'	32.3	16.1	1.9'
8'	24.7	12.4	2.2'
9'	19.5	9.8	2.4'
10'	15.8	7.9	2.7'
11'	13.1	6.5	3.0'
12'	11.0	5.5	3.3'
13'	9.4	4.7	3.5'
14'	8.1	4.0	3.8'
15'	7.0	3.5	4.1'

**AVERAGE INITIAL FOOTCANDLES**

Reflectances: 80% Ceiling, 50% Walls, 20% Floors

Luminaire Spacing	Room Cavity Ratio		
	RCR1	RCR3	RCR5
4' x 4'	17	15	14
5' x 5'	11	10	9
6' x 6'	7	7	6
7' x 7'	6	5	5
8' x 8'	5	4	4
9' x 9'	4	3	3
10' x 10'	3	2	2
12' x 12'	2	2	2



**Candlepower Distribution (Candelas)**

Angle	Candela	Lumens
0°	1581	
5°	1061	90
15°	307	91
25°	84	42
35°	12	9
45°	2	2
55°	0	0
65°	0	0
75°	0	0
85°	0	0

**Luminance Data**

Ang in Deg	Footlamberts	Candela/M <sup>2</sup>
45	124	424
55	0	0
65	0	0
75	0	0
85	0	0

**Zonal Lumen Summary**

Zone	Lumens	%Lamp	%Fixture
0-30°	223	53.0	95.2
0-40°	232	55.3	99.3
0-60°	234	55.7	100.0
0-90°	234	55.7	100.0
90-180°	0	0.0	0.0
0-180°	234	55.7	100.0

**COEFFICIENTS OF UTILIZATION - % (Zonal Cavity Method)**

Effective Floor Reflectance 20%

PCC	80				70				50				30				10				0			
	PW	70	50	30	10	70	50	30	10	50	30	10	50	30	10	50	30	10	50	30	10	0		
0	66	66	66	66	66	65	65	65	65	62	62	62	59	59	59	57	57	57	57	57	56			
1	64	63	62	61	63	62	61	60	60	59	58	57	57	56	56	55	55	55	54					
2	62	60	58	57	61	59	58	56	57	56	55	56	55	54	54	53	52	51	50					
3	60	58	56	54	59	57	55	54	55	54	53	54	53	52	53	52	51	50						
4	58	55	53	51	57	55	53	51	54	52	51	53	51	50	52	50	50	49						
5	57	53	51	49	56	53	51	49	52	50	49	51	50	48	50	49	48	47						
6	55	52	49	48	54	51	49	47	50	49	47	50	48	47	49	48	47	46						
7	53	50	48	46	53	50	47	46	49	47	46	48	47	45	48	46	45	45						
8	52	48	46	45	51	48	46	44	48	46	44	47	45	44	47	45	44	43						
9	51	47	45	43	50	47	45	43	46	44	43	46	44	43	46	44	43	42						
10	49	46	44	42	49	46	43	42	45	43	42	45	43	42	44	43	42	41						

