



**PRODUCT DESCRIPTION**

Recessed adjustable PAR20/PAR16 luminaire with 1 3/4" pinhole aperture and precision geared hot-aiming. Fixture has 50° visual cutoff to lamp and lamp image. Sealed Air-Loc housing eliminates leak-paths to ensure maximum energy savings and controls plenum sound transmission. IC rated housing for use in direct contact with insulation.

**PRODUCT SPECIFICATIONS**

**Reflector** .040" aluminum angle-cut reflector in black Alzak finish shields housing interior.

**Trims Style** Trim Ring and Flush Mount trims utilize torsion spring retention for tight, secure fit to ceiling • Trim ring features beveled knife edge for clean ceiling interface • For flush mount installations in drywall ceilings use the FMA4 flush mount adapter • For flush mount installations in wood, stone, or tile ceilings the FMA4-SC\*\*\* must be used (specify ceiling thickness and adapter finish).

**Socket** Medium base porcelain socket with nickel plated copper screw shell.

**Lamp** One 50W PAR20 or 60W PAR16 lamp.

**Adjustability** Acu-Aim™ precision geared hot-aiming achieves 370° rotation, 40° tilt • Optimized center lamp beam optics translates lamp forward as it is aimed off nadir, insuring maximum light and low brightness • Black aiming mechanism with shield prevents visibility into fixture and preserves dark aperture • Shield hinges out of way to facilitate maintenance.

**Codes/Labels** UL and cUL listed for direct contact with insulation, through-branch wiring, damp locations • Meets energy code Air Leakage requirements per ASTM E283 • Product thermally protected • Union made.

**Proprietary Bar Hanger System** Patent pending Pro-VI™, telescoping bar hanger system with locking set screws, permits quick placement of housing within 24" O.C. joists or suspended ceilings • Robust bar eliminates flexing regardless of fixture position • Integral T-bar notch with locking tabs secures housing to suspended ceiling grid • Captive bugle-headed ring shank nail for quick one-step installation • Bar Hanger foot aligns to bottom of construction joist and breaks away for use in suspended ceilings.

**Junction Box** Rated for 4 No. 12 AWG 90° C through branch circuit conductors and includes (6) 1/2", (1) 3/4", and (4) Non-metallic sheathed cable knock-outs • Push-in electrical connectors for field connections.

**Housing/Mounting Frame** Steel plaster frame and aluminum housing painted black for visually dark interior • V-Notch in plaster frame aids fixture alignment during installation • Patent pending Tru-Line™ Adjustment Mechanism featuring +/- 1/2" translation aids fixture alignment after installation, prior to drywall.

**Ceiling Thickness** 1/2" – 7/8" ceiling standard • For thicker ceilings, order CTA4N-125 (7/8"-1 1/4"), CTA4N-163 (1 1/4"-1 5/8") or CTA4N-200 (1 5/8"- 2") • CTA4N not required for wood, stone, or tile flush mount applications.

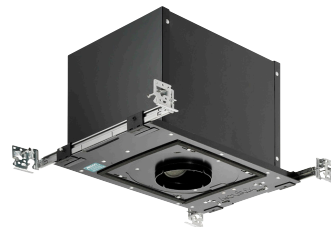
**RECESSED ADJUSTABLE**  
**1-3/4" PINHOLE APERTURE**  
 IC Rated, 50W PAR20 or  
 60W PAR16  
**IC13N, 4335N TRIM**

Project: \_\_\_\_\_

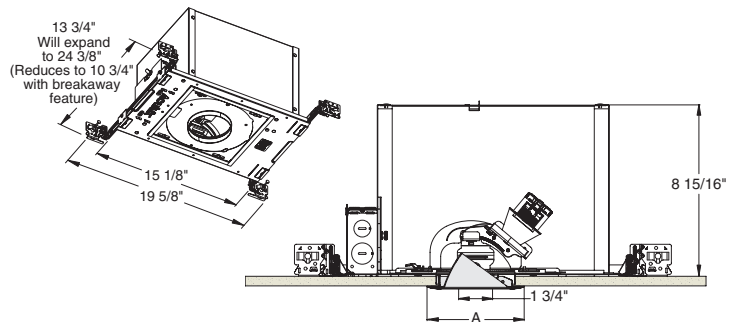
Fixture Type: \_\_\_\_\_

Location: \_\_\_\_\_

Contact/Phone: \_\_\_\_\_



**DIMENSIONS**



4 1/4" CEILING CUTOUT  
 (REFER TO INSTRUCTION SHEET FOR  
 FLUSH MOUNT CEILING CUTOUT)

	A
Trim Ring	5"
Flush Mount	3 7/8"

**Housings**

Catalog #	Description
IC13N	Line Voltage Adjustable Recessed

**Flush Mount Adapters**

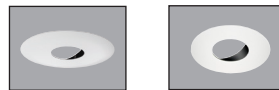
FMA4	Drywall Ceiling Adapter
FMA4-SC087-WH	Wood, Stone, Tile, 1/2"-7/8" Thick Ceiling, Adapter, White
FMA4-SC087-BL	Wood, Stone, Tile, 1/2"-7/8" Thick Ceiling, Adapter, Black
FMA4-SC125-WH	Wood, Stone, Tile, 7/8"-1 1/4" Thick Ceiling, Adapter, White
FMA4-SC125-BL	Wood, Stone, Tile, 7/8"-1 1/4" Thick Ceiling, Adapter, Black
FMA4-SC163-WH	Wood, Stone, Tile, 1 1/4"-1 5/8" Thick Ceiling, Adapter, White
FMA4-SC163-BL	Wood, Stone, Tile, 1 1/4"-1 5/8" Thick Ceiling, Adapter, Black

**Misc. Accessories**

CTA4N-125	1 1/4" Thick Ceiling Adapter
CTA4N-163	1 5/8" Thick Ceiling Adapter
CTA4N-200	2" Thick Ceiling Adapter

To order, specify catalog number.

**1 3/4" Adjustable Pinhole**



Trim Ring	Flush Mount <sup>1</sup>	Description
4335N-WH	4335N-WH-FM	White Trim
4335N-ABZ	-	Aged Bronze Trim
4335N-SC	-	Satin Chrome Trim
4335N-BL	4335N-BL-FM	Black Trim

<sup>1</sup>Flush Mount trims must be used with Flush Mount Adapter, ordered separately. Product specifications subject to change without notice.



# RECESSED ADJUSTABLE

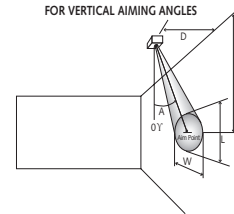
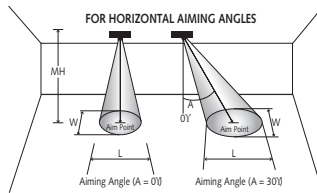
1-3/4" PINHOLE APERTURE

IC Rated, 50W PAR20 or 60W PAR16

## IC13N, 4335N TRIM

**CBCP** • Centerbeam candlepower  
**FC** • Footcandles at beam center (aim point)

In vertical aiming applications, aim point (X) is determined by dividing distance from the wall (D) by the tangent of the desired aim angle (A) (0.5774 for 30°, 1.0 for 45°).



Lamp	Beam Type	Beam Spread°	Rated Life	CBCP	0°				30°			30°			40°					
					MH	FC	L	W	FC	L	W	D	FC	X	L	W	FC	X	L	W
50W PAR20 Halogen	SP	10°	2500	4600	6	128	1.0	1.0	83	1.4	1.2	2	144	3.5	5.5	2.1	305	2.4	0.9	0.5
					8	72	1.4	1.4	47	1.9	1.6	3	64	5.0	2.1	1.0	136	3.6	1.3	0.8
					10	46	1.7	1.7	30	2.3	2.0	4	36	6.9	2.9	1.4	76	4.8	1.7	1.1
	FL	30°	2500	1200	12	32	2.1	2.1	21	2.8	2.4	5	23	8.7	3.6	1.7	49	6.0	2.1	1.4
					14	24	2.4	2.4	15	3.3	2.8	6	16	10.4	4.3	2.1	34	7.2	2.6	1.6
					4	75	2.1	2.1	49	2.9	2.5	2	38	3.5	5.5	2.1	80	2.4	2.9	1.7
45W PAR16 Halogen	NSP	10°	2000	5000	6	139	1.0	1.0	90	1.4	1.2	2	156	3.5	1.4	0.7	332	2.4	0.9	0.5
					8	78	1.4	1.4	51	1.9	1.6	3	69	5.2	2.1	1.0	148	3.6	1.3	0.8
					10	50	1.7	1.7	32	2.3	2.0	4	39	6.9	2.9	1.4	83	4.8	1.7	1.1
	NFL	27°	2000	1400	12	35	2.1	2.1	23	2.8	2.4	5	25	8.7	3.6	1.7	53	6.0	2.1	1.4
					14	26	2.4	2.4	17	3.3	2.8	6	17	10.4	4.3	2.1	37	7.2	2.6	1.6
					3	156	1.4	1.4	101	2.0	1.7	1	175	1.7	2.3	1.0	372	1.2	1.4	0.8
60W PAR16 Halogen	NSP	10°	2000	5400	6	150	1.0	1.0	97	1.4	1.2	2	169	3.5	1.4	0.7	359	2.4	0.9	0.5
					8	84	1.4	1.4	55	1.9	1.6	3	75	5.2	2.1	1.0	159	3.6	1.3	0.8
					10	54	1.7	1.7	35	2.3	2.0	4	42	6.9	2.9	1.4	90	4.8	1.7	1.1
	NFL	30°	2000	1550	12	38	2.1	2.1	24	2.8	2.4	5	27	8.7	3.6	1.7	57	6.0	2.1	1.4
					14	28	2.4	2.4	18	3.3	2.8	6	19	10.4	4.3	2.1	40	7.2	2.6	1.6
					4	97	2.1	2.1	63	2.9	2.5	2	48	3.5	5.5	2.1	103	2.4	2.9	1.7
6	43	3.2	3.2	28	4.4	3.7	3	22	5.2	8.2	3.2	46	3.6	4.3	2.5					
8	24	4.3	4.3	16	5.9	5.0	4	12	6.9	10.9	4.3	26	4.8	5.8	3.3					
10	16	5.4	5.4	10	7.3	6.2	5	8	8.7	13.7	5.4	16	6.0	7.2	4.2					
12	11	6.4	6.4	7	8.8	7.4	6	5	10.4	16.4	6.4	11	7.2	8.7	5.0					

The beam spread in degrees and the beam "L" and "W" in the following tables are computed at 50% of centerbeam candlepower and represent areas of "effective illumination."

