

MICRO STRIKE | OPTICS STRIKE


Round



Square

FEATURES

- Available in round and square versions
- Consumes only 25-50W and is designed to replace up to 250 watt HID systems
- 0-10V dimming drivers are RoHS compliant and IP66
- Cast LED housing is designed for easy removal and access to driver compartment
- Low-profile, ultimate solution in LED recessed canopy lighting applications
- Ten position dimming dial optional. Default setting at 100% and capable of dimming down to 30%


SPECIFICATIONS
CONSTRUCTION

- Die-cast housing with hidden vertical heat fins are optimal for heat dissipation while keeping a clean smooth outer surface
- Mounted with two key-slotted screws for easy installation and removal
- Galvanized steel housing mounts to 1/2" EMT conduit, contains pre-wired junction box with knockouts for easy access
- Driver mounted with accessibility from beneath for easy services
- Optical one piece cartridge system consisting of an LED engine, LED lamps, optics and gasket
- One-piece silicone gasket ensures a weatherproof seal

OPTICS

- Micro Strike Optics (80 LED counts) maximize uniformity in applications and come standard with mid-power LEDs which evenly illuminate the entire luminous surface area to provide a low glare appearance

OPTICS (CONTINUED)

- Strike Optics (18 LED counts) provide best in class distributions and maximum spacing in new applications with high powered LEDs. Strike optics are held in place with a polycarbonate bezel to mimic the appearance of the Micro Strike Optics so both solutions can be combined on the same application
- Field rotatable optics

ELECTRICAL

- 100–277V, 50–60 Hz (UNV)
- Power factor is $\geq .90$ at full load
- Comes standard with 0–10V dimming capability, with flicker-free dimming to 10%. Must contact factory to request wiring leads for purpose of external dimming controls

ELECTRICAL (CONTINUED)

- Component-to-component wiring within the luminaire may carry no more than 80% of rated load and is certified by UL for use at 600VAC at 90°C or higher
- Surge protection - 20kA

CERTIFICATIONS

- The luminaire is UL Listed for use in wet locations in outdoor canopies

WARRANTY

- 5 year warranty
- See Current Standard Warranty for additional information

KEY DATA	
Lumen Range	3200–6200
Wattage Range	25–50
Efficacy Range (LPW)	100–143
Weights lbs. (kg)	10 (4.5)

DATE: _____ LOCATION: _____

TYPE: _____ PROJECT: _____

CATALOG #: _____

ORDERING GUIDE

MICRO STRIKE

Example: CLO-80L-25-3K7-5R-UNV-SQ-DBT

CATALOG # _____

Model	Engine - Watts	LED Color	Optics	Voltage	Style Options	Color	Options					
CLO Ceileo	80L-25 3200 lumens	3K7 3000K, 70CRI	2 Type 2	UNV 120-277V	RD Round	BLT Black Matte Textured	SP 20KA Surge Protector					
	80L-39 5000 lumens							4K7 4000K, 70CRI	3 Type 3	SQ Square	BLS Black Gloss Smooth	LS Lumen Selectable Module
	80L-50 6000 lumens										5K7 5000K, 70CRI	
			4W Type 4 Wide		DBS Dark Bronze Gloss Smooth							
			5QW Type 5 Square Wide			GTT Graphite Matte Textured						
						LGS Light Grey Gloss Smooth						
						PSS Platinum Silver Smooth						
						WHT White Matte Textured						
						WHS White Gloss Smooth						
						VGT Verde Green Textured						
						Color Option						
						CC Custom Color						

STRIKE

Model	Engine - Watts	LED Color	Optics	Voltage	Style Options	Color	Options					
CLO Ceileo	18L-25 3000 lumens	3K7 3000K, 70CRI	2 Type 2	UNV 120-277V	RD Round	BLT Black Matte Textured	SP 20KA Surge Protector					
	18L-39 4200 lumens							4K7 4000K, 70CRI	3 Type 3	SQ Square	BLS Black Gloss Smooth	LS Lumen Selectable Module
	18L-50 5300 lumens										5K7 5000K, 70CRI	
			4W Type 4 Wide		DBS Dark Bronze Gloss Smooth							
			5QW Type V, Square Wide			GTT Graphite Matte Textured						
			5x5 Aisle Lighter			LGS Light Grey Gloss Smooth						
			5R Type V, Rectangular			PSS Platinum Silver Smooth						
			5QM Type V, Square Medium			WHT White Matte Textured						
			5QN Type V, Square Narrow			WHS White Gloss Smooth						
			5W Type V, Round Wide			VGT Verde Green Textured						
			FR Front Row			Color Option						
						CC Custom Color						

PERFORMANCE DATA

Family	DRIVE CURRENT (MILLIAMPS)	# LED'S	SYSTEM WATTS	DIST. TYPE	5K (5000K nominal, 70 CRI)					4K (4000K nominal, 70 CRI)					3K (3000K nominal, 70 CRI)							
					LUMENS	LPW ¹	B	U	G	LUMENS	LPW ¹	B	U	G	LUMENS	LPW ¹	B	U	G			
80L	25	80	25	2	3494	139.76	1	0	1	3567	142.69	2	0	1	3464	138.54	2	0	1			
				3	3495	139.79	2	0	2	3568	142.72	2	0	2	3464	138.57	2	0	2			
				4F	3511	140.45	1	0	2	3585	143.39	1	0	2	3481	139.22	1	0	2			
				4W	3502	140.06	1	0	2	3575	143	1	0	2	3471	138.84	1	0	2			
				5QW	3437	137.48	2	0	1	3509	140.36	2	0	1	3407	136.28	2	0	1			
	39	80	35.3	2	4804	136.08	1	0	1	4904	138.93	1	0	1	4762	134.89	1	0	1			
				3	4804	136.1	2	0	2	4905	138.95	2	0	2	4762	134.91	2	0	2			
				4F	4827	136.74	1	0	2	4928	139.61	1	0	2	4785	135.55	1	0	2			
				4W	4814	136.37	1	0	2	4915	139.22	1	0	2	4772	135.18	1	0	2			
				5QW	4725	133.85	3	0	1	4824	136.66	3	0	1	4684	132.68	3	0	1			
	50	80	48.8	2	6118	125.37	1	0	1	6246	128	1	0	1	6065	124.27	1	0	1			
				3	6119	125.39	2	0	2	6247	128.02	2	0	2	6066	124.29	2	0	2			
				4F	6148	125.98	1	0	2	6277	128.62	1	0	2	6094	124.88	1	0	2			
				4W	6131	125.64	1	0	2	6259	128.27	1	0	2	6077	124.54	1	0	2			
				5QW	6018	123.32	3	0	1	6144	125.9	3	0	1	5965	122.24	3	0	1			
18L	25	18	28.4	FR/1	3471	122.24	0	0	0	3520	124	0	0	0	3370	118.69	0	0	0			
				2	3321	116.97	1	0	1	3369	118.65	1	0	1	3224	113.57	1	0	1			
				3	3321	116.97	1	1	1	3369	118.65	1	1	1	3224	113.57	1	1	1			
				4F	3354	118.15	0	0	1	3403	119.85	0	0	1	3257	114.72	0	0	1			
				4W	3264	114.96	1	1	1	3311	116.62	1	1	1	3169	111.62	1	1	1			
				5x5	3417	120.36	2	0	0	3466	122.09	2	0	0	3318	116.86	2	0	0			
				5QM	3454	121.67	1	0	0	3504	123.42	1	0	0	3354	118.13	1	0	0			
				5QN	3474	122.37	2	0	0	3524	124.13	2	0	0	3373	118.81	2	0	0			
				5QW	3128	110.18	2	1	1	3173	111.76	2	1	1	3037	106.97	2	1	1			
				5RW	3317	116.85	2	1	2	3365	118.53	2	1	2	3221	113.45	2	1	2			
				5W	3334	117.42	2	0	1	3381	119.11	2	0	1	3237	114	2	0	1			
				39	18	40.1	FR/1	4754	118.51	0	0	0	4822	120.22	0	0	0	4615	115.07	0	0	0
							2	4548	113.4	1	0	1	4614	115.03	1	0	1	4416	110.1	1	0	1
							3	4548	113.4	1	1	1	4614	115.03	1	1	1	4416	110.1	1	1	1
							4F	4595	114.55	0	0	1	4661	116.2	0	0	1	4461	111.22	0	0	1
	4W	4471	111.46				1	1	1	4535	113.06	1	1	1	4340	108.21	1	1	1			
	5x5	4680	116.69				2	0	0	4748	118.37	2	0	0	4544	113.3	2	0	0			
	5QM	4731	117.96				1	0	0	4799	119.66	1	0	0	4594	114.53	1	0	0			
	5QN	4758	118.63				2	0	0	4827	120.34	2	0	0	4620	115.18	2	0	0			
	5QW	4284	106.82				3	1	1	4346	108.35	3	1	1	4160	103.71	3	1	1			
	5RW	4544	113.28				2	1	2	4609	114.91	2	1	2	4411	109.99	2	1	2			
	5W	4566	113.84				2	0	1	4632	115.47	2	0	1	4433	110.52	2	0	1			
	50	18	55.3				FR/1	6149	111.19	0	0	0	6237	112.79	0	0	0	5970	107.95	0	0	0
							2	5883	106.39	1	0	1	5968	107.92	1	0	1	5712	103.3	1	0	1
							3	5883	106.39	1	1	1	5968	107.92	1	1	1	5712	103.3	1	1	1
							4F	5943	107.47	0	0	1	6029	109.02	0	0	1	5770	104.34	0	0	1
				4W	5783	104.57	1	1	1	5866	106.07	1	1	1	5614	101.53	1	1	1			
				5x5	6054	109.48	2	0	0	6141	111.05	2	0	0	5878	106.29	2	0	0			
				5QM	6120	110.67	1	0	0	6208	112.26	1	0	0	5942	107.45	1	0	0			
				5QN	6155	111.3	2	0	0	6243	112.9	2	0	0	5976	108.06	2	0	0			
5QW				5542	100.22	3	1	1	5622	101.66	3	1	1	5381	97.3	3	1	1				
5RW				5877	106.28	2	1	2	5962	107.81	2	1	2	5706	103.19	2	1	2				
5W	5906	106.8	2	0	1	5991	108.34	2	0	1	5734	103.69	2	0	1							

¹ Lumen values are from photometric tests performed in accordance with IESNA LM-79-08. Data is considered to be representative of the configurations shown. Actual performance may differ as a result of end-user environment and application

PROJECTED LUMEN MAINTENANCE

AMBIENT TEMP.	25,000	50,000	TM-21-11 60,000	100,000	Estimated L70 (Hrs)
25°C / 77°F	0.97	0.94	0.93	0.90	375,000
40°C / 104°F	0.96	0.93	0.92	0.88	300,000

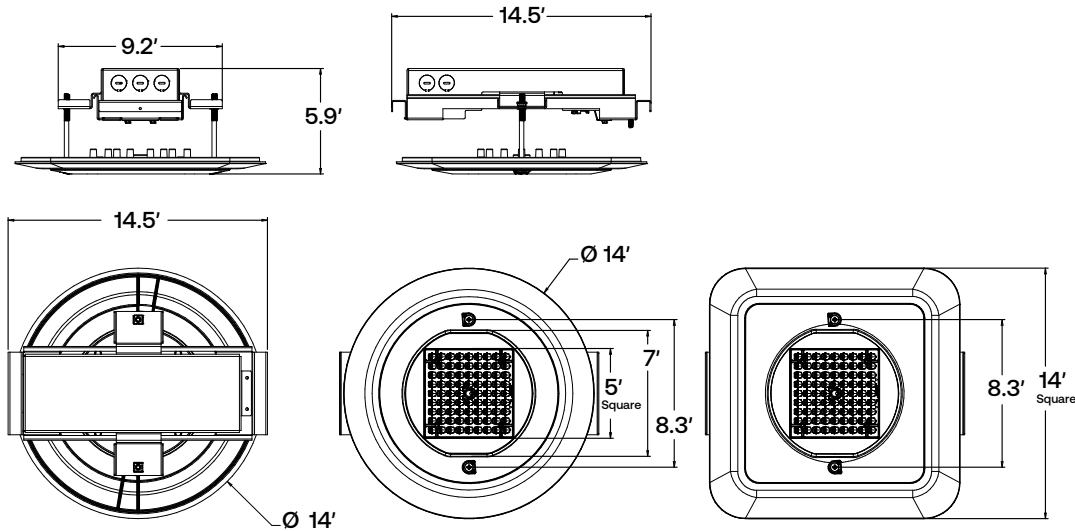
ELECTRICAL DATA

# OF LEDS	NOMINAL WATTAGE	SYSTEM POWER (Watts)	INPUT VOLTAGE (V)	OPER. CURRENT (Amps)
80	25	24	120	0.2
			277	0.09
	39	36.2	120	0.3
			277	0.13
	50	43.7	120	0.37
			277	0.16
18	25	28.4	120	0.24
			277	0.1
	39	40.1	120	0.34
			277	0.15
	50	55.3	120	0.46
			277	0.2

LUMEN MULTIPLIER

Micro Strike Lumen Multiplier		Strike Lumen Multiplier	
CCT	70CRI	CCT	70CRI
3000K	0.991	3000K	0.971
4000K	1.021	4000K	1.014
5000K	1	5000K	1

DIMENSIONS



ADDITIONAL INFORMATION

PRODUCT VIEWS

