

IMPORTANT SAFEGUARDS

READ AND FOLLOW ALL SAFETY INSTRUCTIONS

When using electrical, basic safety precautions should always be followed including the following:

1. Disconnect power at fuse or circuit breaker before installing or servicing
2. Do not use outdoors
3. Do not mount in hazardous locations, or near gas or electric heaters
4. Do not let power cords touch hot surfaces
5. Equipment should be mounted in locations and at heights where it will not be subjected to tampering by unauthorized personnel
6. The use of accessory equipment not recommended by the manufacturer may cause an unsafe condition
7. Do not use this equipment for other than intended use
8. All servicing should be performed by qualified personnel only
9. After finishing installation, charge battery 24 hours before full duration test

SAVE THESE INSTRUCTIONS

MAINTENANCE

None required. Replace the batteries as needed according to ambient conditions. However, we recommend that the equipment be tested regularly in accordance with local codes.

OPERATION

1. Press the test button. The LED heads will turn on and the LED indicator will turn off. Release the test switch, LED indicator will turn on and the LED heads will turn off.
2. After battery fully charged, LED indicator will blink at a short interval, this is normal

TROUBLESHOOTING GUIDE

IF LED heads or LED indicator does not illuminate, check the following:

1. Check AC supply - verify that unit has 24 hours of AC supply
2. Unit is shorted or battery is not connected
3. Battery discharged. Let unit charge for 24 hours then Retest
4. If above troubleshooting does not solve your problem, contact factory for assistance

MOUNTING INSTRUCTIONS

Wall Mount - Back Power Feed (see Fig 2)

1. Insert flat blade screwdriver into two slots and pry front cover from back plate
2. Remove appropriate knockout in backplate and mount backplate to J-box
3. Remove knockout in center of backplate and feed wires through hole
4. Secure backplate to J-box
5. Connect the fixture wires to the power supply wires using wire nuts provided. Connect white wire to neutral, connect black wire to hot lead. Cap unused lead. Press the wires into J-box. (Refer to Wiring diagram below.)
6. Connect remote wires if this fixture has remote capability. Refer to below instructions for remote wires
7. Plug male battery connector into female battery connector on PCBA. (See Fig 2)
8. Snap front cover onto back plate
9. Restore power and press test button. LED heads will turn on
10. Adjust lamp heads as needed

Wall Mount - Top Power Feed (see Fig 3)

1. Open front cover and remove top knockout on the top flange of fixture
2. Secure conduit (or surface raceway) to knockout and feed wires
3. Remove appropriate knockout on back plate and mount to wall
4. Refer to steps 5-10 in **(Wall Mount - Back power feed)** section

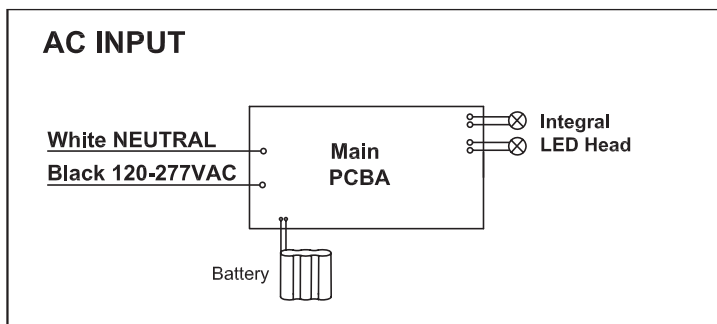
Ceiling Mount (see Fig 4)

Refer to above **Wall Mount - Back Power Feed** Instructions

Here are some differences:

Mount backplate on ceiling surface instead of wall surface. Feed building AC supply wire through backplate then connect to fixture power supply wires using wire nuts provided

Wiring Diagram



Mounting Height

- | | |
|---------|---------------------------|
| CU2HL | Max. mounting height 35ft |
| CU2HLHO | Max. mounting height 50ft |

Open fixture

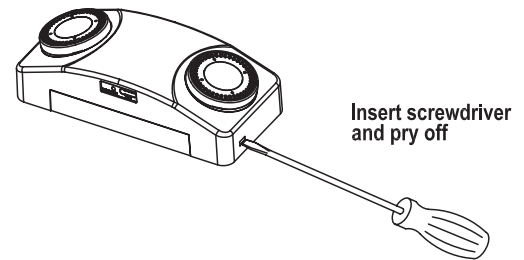


Fig 1

Wall mount-Back Power Feed

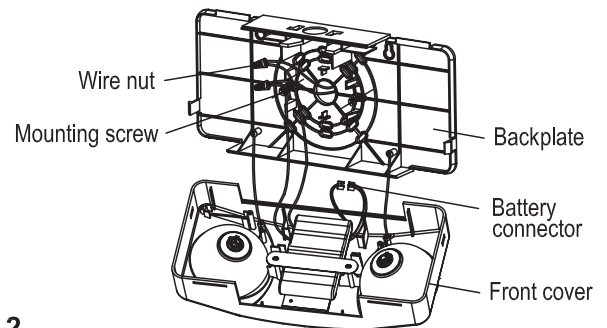


Fig 2

Wall mount-Top Power Feed

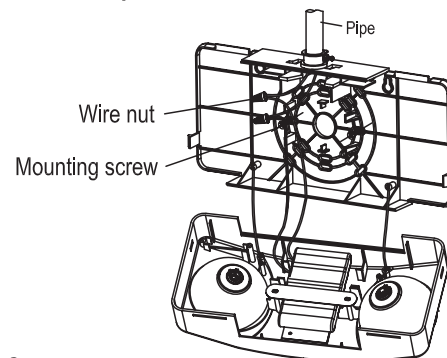


Fig 3

Ceiling mount-Top Power Feed

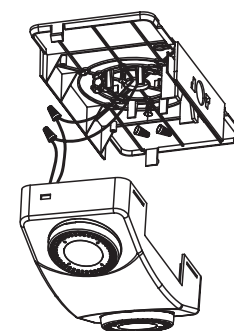


Fig 4