

High Center Beam Round Lensed Wall Wash Downlight 2"



OVERVIEW

Feature Set

- Superior optical control maintains a smooth, uniform distribution from ceiling to floor.
- Driver and LED light engine fully serviceable from below ceiling
- 70% lumen maintenance at 60,000 hours
- 2.5 SDCM; 80 CRI typical, 90+ CRI optional
- Fixtures are wet location, covered ceiling
- ENERGY STAR® Certified product
- Recommended fixture spacing si 36" on center with 36" setback from wall plane.

Distribution



Superior Performance

| Nominal lumens | 250 | 500 | 750 | 1000 | 1500 |
|----------------|-----|-----|-----|------|------|
| Delivered | 201 | 427 | 655 | 897 | 1345 |
| Wattage | 3.1 | 5.6 | 8.7 | 12.0 | 19.8 |
| Efficacy | 65 | 76 | 75 | 74 | 68 |

*Based on 3500K 80CRI AR LSS

COMPLEMENTARY PRODUCTS

Coordinated Apertures | Multiple Layers of Light



General Illumination Layer | EVO



High Center Beam Layer | Incito



EVO + Incito — Multiple Layers of Light

| | | | | | | | | |
|-----------------------------|-----------|----------------|---------------|-----------------|----------|------------|-------|------------|
| Core | Downlight | Adjustable | Open Wallwash | Lensed Wallwash | Cylinder | Pinhole | Bevel | Hyperbolic |
| Healthcare | MRI | Surgical Suite | Patient Room | | | | | |
| Special Applications | Dynamic | Food Service | Vandal/Tamper | Clean Room | Shower | Steam Room | | |

A+ Capable options indicated by this color background.

Luminaire Type:

Catalog Number:

EXAMPLE: IC02LW 35/10 AR LSS 20D MVOLT UGZ

| Series | Color Temperature | Lumens | Reflector Color | Flange Type | Reflector Finish |
|--|-------------------|----------------|--------------------------------------|----------------------|-------------------|
| IC02LW Incito 2in Round Lensed Wall Wash | 27/ 2700 K | 02 250 lumens | AR Clear | (blank) Self-flanged | LSS Semi-specular |
| | 30/ 3000 K | 05 500 lumens | PR Pewter | FL Flangeless | LD Matte diffuse |
| | 35/ 3500 K | 07 750 lumens | WTR Wheat | | |
| | 40/ 4000 K | 10 1000 lumens | GR Gold | | |
| | 50/ 5000 K | 15 1500 lumens | WR ² White painted | | |
| | | | BR ² Black | | |
| | | | BZR ² Dark Bronze painted | | |

| Voltage | Driver | Control Interface ⁴ | Options |
|-------------------|---|---|--|
| MVOLT 120V - 277V | UGZ ³ Universal dimming to 1% (0-10V, 120V TRIAC or ELV) | (blank) | 90CRI ¹ High CRI (90+) |
| 120 120V | | NLT nLight [®] dimming pack. | NCH ⁶ Structural reinforcement pan |
| 277 277V | | NLTER ⁵ nLight [®] dimming pack for fixtures on emergency circuit | ICAT ⁷ IC/Airtight housing construction |
| | | NLTAIR2 nLight [®] AIR dimming pack. | CP ⁷ Chicago Plenum |
| | | NLTAIRER2 ⁵ nLight [®] AIR dimming pack for fixtures on emergency circuit | HAO High ambient (40°C) |
| | | NLTAIREM2 nLight [®] AIR dimming pack for fixtures on emergency circuit | N80 ¹⁰ nLight Lumen Compensation |
| | | | TRW ⁸ White painted flange |
| | | | TRBL ⁹ Black painted flange |

ACCESSORIES — order as separate catalog numbers (shipped separately)

| | |
|------------------|--|
| HS258 | 2-5/8" Hole saw |
| HS234FL | Hole saw for flangeless trim option |
| SDT 347/120 75VA | 347V/120V, 75VA step down transformer. Must be remote mounted. |

ORDERING NOTES

- 5000K CCT not available with 90CRI.
- Not available with Reflector Finish.
- Refer to [Tech 240](#) for compatible dimmers.
- Field installed. Access required to location of remote mounted device.
- ER for use with generator supply power. Will require an emergency hot feed and normal hot feed.
- NCH is required for T-grid ceilings or where code requires.
- Not available with 1500lm.
- For use with different reflector finish only (i.e. AR, PR, WTR, GR options). Not available with WR (White Reflector). Not available with FL.
- For use with different reflector finish only (i.e. AR, PR, WTR, GR options). Not available with BR (Black Reflector). Not available with FL.
- Requires NLT or NLTER.
- Requires NLT or NLTER.

Optical and Trim Assembly

Fully serviceable and upgradeable lensed LED light engine suitable for field maintenance or service from above or below the ceiling. Flangeless trim option includes proprietary Gotham mud ring enabling seamless integration into drywall applications. Mud ring ships separately.

Electrical

The luminaire shall operate from a 50 or 60 Hz ±3 Hz AC line over a voltage ranging from 120 VAC to 277 VAC. Support 347V via remote-mounted stepdown transformer. The fluctuations of line voltage shall have no visible effect on the luminous output.

The luminaire shall have a power factor of 90% or greater at all standard operating voltages and full luminaire output. Sound Rated A+. Driver shall be >80% efficient at full load across all input voltages.

Controls

Luminaire shall be equipped with interface for nLight wired or nLight AIR networks with integral power supply as per specification.

Dimming

The luminaire shall be capable of continuous dimming without perceivable stroboscopic flicker as measured by flicker index (ANSI/IES RP-16-10) over a range of 100 – 1.0% of rated lumen output with a smooth shut off function to step to 0%.

Driver is inaudible in 24dB environment, and stable when input voltage conditions fluctuate over what is typically experienced in a commercial environment.

Construction

Light engine and driver are accessible from below ceiling.

Several additional mounting options available including a structural reinforcement pan, Chicago plenum, and Type IC.

Anodized extruded aluminum wiring compartment with hinged access. With two 1/2" trade-sized knockouts rated for 90°C.

Accommodates between 3/8" to 2-3/4"-thick ceilings.

Listings

Fixtures are UL Certified to meet US and Canadian Standards: All fixtures manufactured in strict accordance with the appropriate and current requirements of the "Standards for Safety" to UL, wet location covered ceiling. ENERGY STAR® Certified product.

IC rated with ICAT option. Fixtures with ICAT option are compatible with spray foam insulation with an R-value of 4.3 per inch or less.

Luminaire configurations are Energy Star certified through testing in EPA-recognized laboratories, with the results reviewed by an independent, accredited certification organization. Visit www.energystar.gov for specific configurations listed

Photometrics

LEDs tested to LM-80 standards. Measured by IESNA Standard LM-79-08 in an accredited lab. Lumen output shall not decrease by more than 30% over the minimum operational life of 60,000 hours.

Color appearance from luminaire to luminaire of the same type and in all configurations, shall be consistent both initially and at 6,000 hours and operate with-in a tolerance of <2.5 MacAdam ellipse as defined by the center of the quadrangles defined in ANSI C78.377-2015.

Buy American Act

This product is assembled in the USA and meets the Buy America(n) government procurement requirements under FAR, DFARS and DOT regulations. Please refer to www.acuitybrands.com/buy-american for additional information.

Warranty

5-year limited warranty. This is the only warranty provided and no other statements in this specification sheet create any warranty of any kind. All other express and implied warranties are disclaimed. Complete warranty terms located at: www.acuitybrands.com/support/warranty/terms-and-conditions

Note:

Actual performance may differ as a result of end user environment and application. All values are design or typical values, measured under laboratory conditions at 25 °C.

A+ Capable Luminaire

This item is an A+ capable luminaire, which has been designed and tested to provide consistent color appearance and out-of-the-box control compatibility with simple commissioning.

- All configurations of this luminaire meet the Acuity Brands' specification for chromatic consistency
- This luminaire is part of an A+ Certified solution for nLight® control networks when ordered with drivers marked by a shaded background*
- This luminaire is part of an A+ Certified solution for nLight® control networks, providing advanced control functionality at the luminaire level, when selection includes driver and control options marked by a shaded background*

To learn more about A+, visit www.acuitybrands.com/aplus.

*See ordering tree for details

| Lumen Output Multiplier | | |
|-------------------------|-------|------------|
| CRI | CCT | Multiplier |
| 80 | 2700K | 0.910 |
| | 3000K | 0.946 |
| | 3500K | 1.000 |
| | 4000K | 1.027 |
| | 5000K | 1.054 |
| 90 | 2700K | 0.784 |
| | 3000K | 0.847 |
| | 3500K | 0.874 |
| | 4000K | 0.946 |

| Reflector Finish Multiplier | |
|-----------------------------|------------|
| Reflector Finish | Multiplier |
| LSS - Semi Specular | 1.00 |
| LD - Matte Diffuse | 1.06 |
| Reflector Color | Multiplier |
| WR - White | 1.05 |
| BR - Black | 0.65 |
| BZR - Bronze | 0.61 |
| AR - Clear | 1.00 |
| GR - Gold | 0.93 |
| PR - Pewter | 0.98 |
| WTR - Wheat | 0.99 |

| Driver | | Control Provided | | | | |
|--------------|-------------------------|------------------|----------------|----------------|-------------------|-------------------|
| Nomenclature | Description | NLT | NLTER | NLTAIR2 | NLTAIREM2 | NLTAIRER2 |
| UGZ | 0-10V driver dims to 1% | nPP16 D EFP | nPP16 D ER EFP | RPP20 D 24V G2 | RPP20 D 24V EM G2 | RPP20 D 24V ER G2 |

| Marked Spacing in Inches 25°C Ambient | | | |
|---------------------------------------|----------------------------|---------------------------------------|---------------------|
| Lumen Package | Fixed Center to Center MIN | Fixture Center to Building Member MIN | Space Above Fixture |
| 1500 (HAO) | 18 | 9 | 3 |

*Dimensions in inches [centimeters]

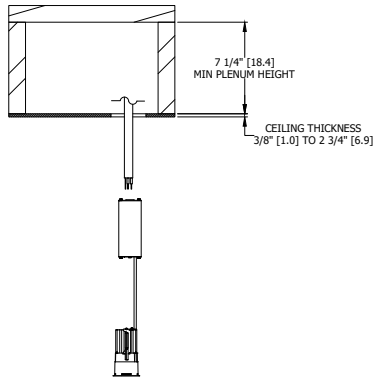
Aperture: 2-1/4" [5.7]

Ceiling Opening: 2-5/8" [6.7] self-flanged

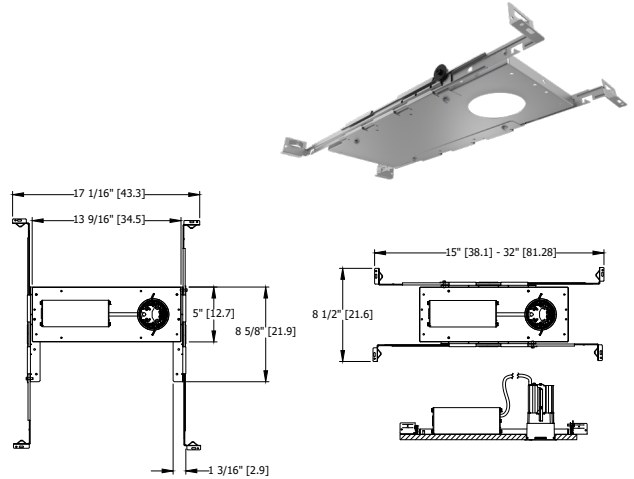
Overlap Trim: 3" [7.6]

2-3/4" [7] flangeless

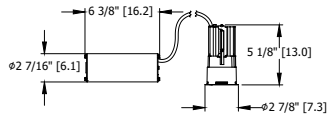
Recessed Application - Minimum Clearance Requirements



Structural Reinforcement Pan



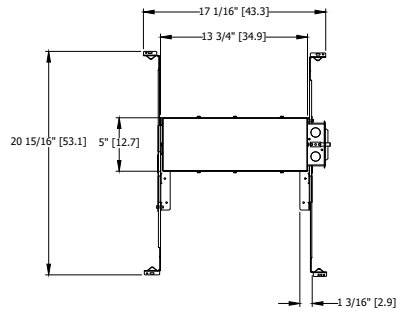
1000 Lumen and Below Install-from-Below Construction



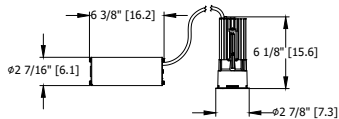
Ceiling cutout: ϕ 2 5/8" [6.7]
 Flex conduit length: 16" [40.6]
 Ceiling thickness range: 3/8" [1.3] to 2 3/4" [6.9]



IC / Airtight Housing / Chicago Plenum Construction



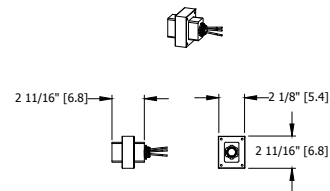
1500 and 2000 Lumen or High Ambient Option Install-from-Below Construction



Ceiling cutout: ϕ 2 5/8" [6.7]
 Flex conduit length: 16" [40.6]
 Ceiling thickness range: 3/8" [1.3] to 2 3/4" [6.9]

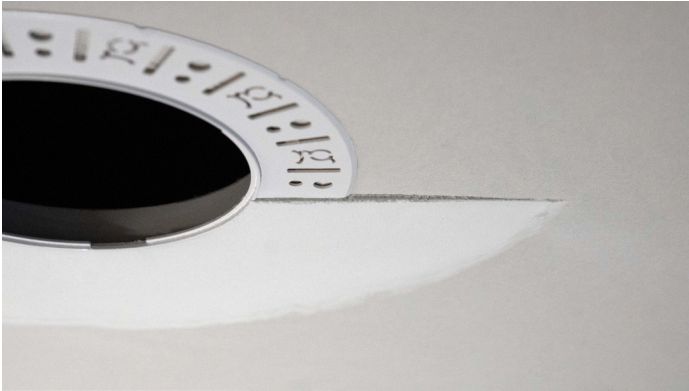


347V Transformer

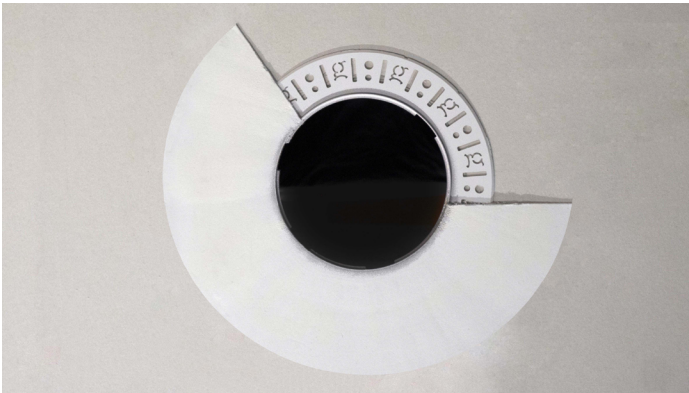


347 Transformer:
 Install to accessible
 junction box by others

Flangeless



Partially finished mud ring, showing cross-section detail.



An ICO downlight requires only approximately 3" of plaster to finish.



ICO with flangeless trim

Flangeless Installation

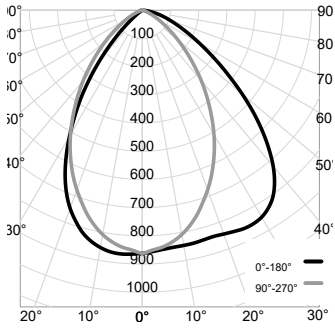
Gotham's flangeless option utilizes a micro-thin polymer mud ring that minimizes the amount of drywall compound required to finish the ceiling. The end result is a virtually undetectable flangeless downlight installation.

The polymer mud ring is installed independent of the of the recessed frame, therefore floating with the ceiling. This innovation minimizes any surface cracks during reflector installation, ceiling movement and any future service to the recessed frame, wiring, electronics, etc.

Photometry

CONSULT WWW.GOTHAMLIGHTING.COM FOR ADDITIONAL PHOTOMETRY

ICO2LW 35/15 AR LSS Input Watts: 19.8, Delivered Lumens: 1345, LPW: 67.9, S/MH: 1.43, Test No: 19-359-A05P57



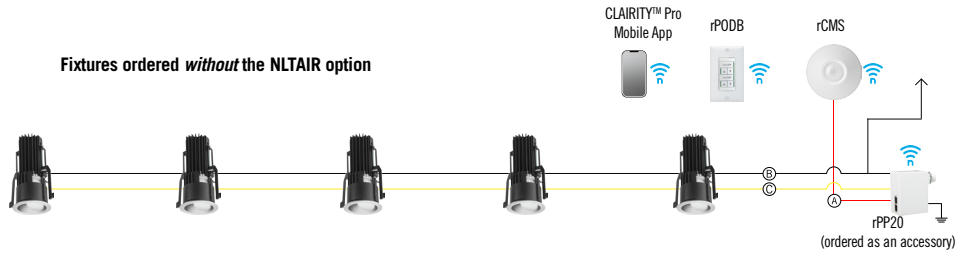
| CP Summary | | Zonal Lumen Summary | | | Coefficients of Utilization | | | | | | | | | | Luminance (cd/sq.m) | |
|------------|-----|---------------------|--------|-----------|-----------------------------|-----|-----|-----|-----|-----|-----|-----|-----|-------------------|---------------------|---------|
| 0° | 90° | Zone | Lumens | % Fixture | pf | 20% | | | | 50% | | | | Average Luminance | | |
| | | | | | pc | 80% | 80% | 10% | 50% | 30% | 10% | 50% | 30% | 10% | 0° | 85° |
| 0° | 862 | 0° - 30° | 609 | 45% | 0 | 119 | 119 | 119 | 116 | 116 | 116 | 111 | 111 | 111 | 45° | 327,326 |
| 5° | 851 | 0° - 40° | 915 | 68% | 1 | 108 | 105 | 102 | 106 | 103 | 100 | 102 | 99 | 97 | 55° | 321,975 |
| 15° | 843 | 0° - 60° | 1,262 | 94% | 2 | 98 | 93 | 88 | 96 | 91 | 87 | 93 | 89 | 85 | 65° | 222,062 |
| 25° | 854 | 0° - 90° | 1,345 | 100% | 3 | 89 | 82 | 77 | 87 | 81 | 77 | 84 | 79 | 75 | 75° | 142,741 |
| 35° | 808 | 90° - 180° | 0 | 0% | 4 | 81 | 74 | 68 | 79 | 73 | 68 | 77 | 71 | 67 | 85° | 95,930 |
| 45° | 600 | 0° - 180° | 1,345 | 100% | 5 | 74 | 66 | 61 | 73 | 66 | 61 | 71 | 65 | 60 | | 25,700 |
| 55° | 336 | | | | 6 | 68 | 60 | 55 | 67 | 60 | 55 | 65 | 59 | 54 | | |
| 65° | 159 | | | | 7 | 62 | 55 | 50 | 62 | 55 | 50 | 60 | 54 | 49 | | |
| 75° | 65 | | | | 8 | 58 | 50 | 45 | 57 | 50 | 45 | 56 | 50 | 45 | | |
| 85° | 6 | | | | 9 | 54 | 46 | 42 | 53 | 46 | 42 | 52 | 46 | 41 | | |
| 90° | 4 | | | | 10 | 50 | 43 | 38 | 50 | 43 | 38 | 49 | 42 | 38 | | |

nLIGHT AIR

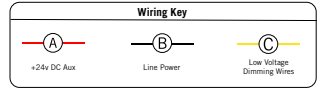
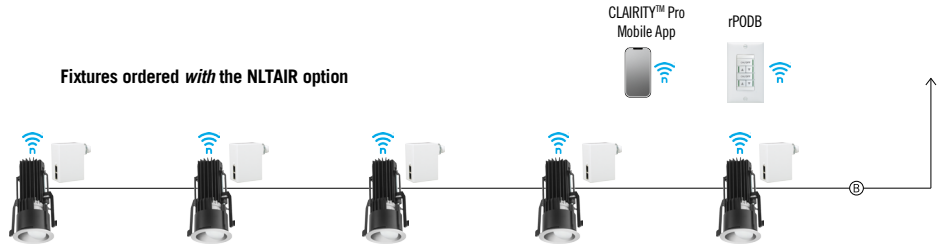
nLight® AIR is the ideal solution for retrofit or new construction spaces where adding communication wiring is cost prohibitive. The integrated nLight AIR rPP20 Power Pack is part of each EVO Luminaire ordered with the NLTAIR option. These individually addressable controls offer the ultimate in flexibility during initial setup and for space repurposing.

Possibilities for nLight® AIR

Fixtures ordered *without* the NLTAIR option



Fixtures ordered *with* the NLTAIR option



nLight® AIR Control Accessories

Order as separate catalog number. Visit [nLight AIR](#).

| Wall Switches | Model Number |
|----------------------------------|------------------------|
| On/Off single pole | rPODB (color) G2 |
| On/Off two pole | rPODB 2P (color) G2 |
| On/Off & raise/lower single pole | rPODB DX (color) G2 |
| On/Off & raise/lower two pole | rPODB 2P DX (color) G2 |

nLight® AIR Control Accessories (cont.)

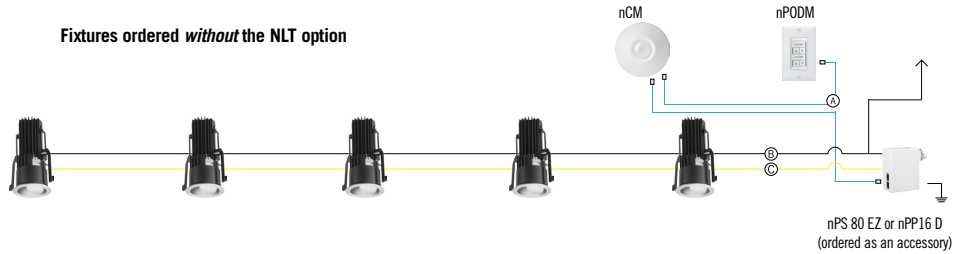
| Occupancy Sensors (PIR/dual tech) | Model Number |
|-----------------------------------|-----------------------|
| Small motion 360°, ceiling | rCMS 9 / rCMS PDT 9 |
| Large motion 360°, ceiling | rCMS 10 / rCMS PDT 10 |

nLIGHT

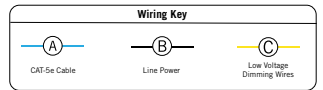
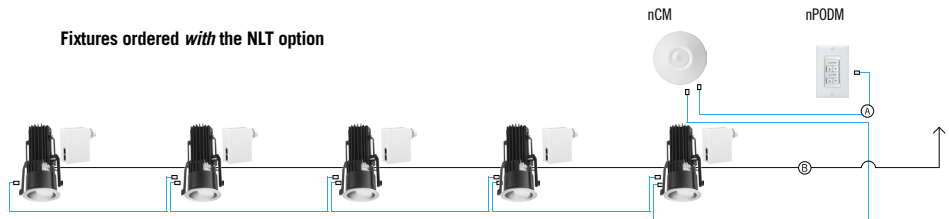
nLight® Wired The nLight® solution is a digital networked lighting control system that provides both energy savings and increased user configurability by cost effectively integrating time-based, daylight-based, sensor-based and manual lighting control schemes.

Possibilities for nLight® wired

Fixtures ordered *without* the NLT option



Fixtures ordered *with* the NLT option



nLight® Wired Control Accessories

Order as separate catalog number. Visit [nLight](#).

| Wall Switches | Model Number |
|----------------------------------|------------------|
| On/Off single pole | nPODM (XX) |
| On/Off two pole | nPODM 2P (XX) |
| On/Off & raise/lower single pole | nPOD DX (XX) |
| On/Off & raise/lower two pole | nPODM 2P DX (XX) |
| Graphic touchscreen | nPOD GFX (XX) |

| Photocell Controls | Model Number |
|--------------------|--------------|
| Dimming | nCM ADCX |

nLight® Wired Control Accessories (cont.)

| Occupancy Sensors (PIR/dual tech) | Model Number |
|-----------------------------------|-----------------------------|
| Small motion 360°, ceiling | nCM 9 / nCM PDT 9 |
| Large motion 360°, ceiling | nCM 10 / nCM PDT 10 |
| Wide View | nWV 16 / nWV PDT 16 |
| Wall switch with raise/lower | nWSX LV DX / nWSX PDT LV DX |

| Cat-5 Cables (plenum rated) | Model Number |
|-----------------------------|--------------|
| 10', CAT5 | CAT5 10FT J1 |
| 15', CAT5 | CAT5 15FT J1 |