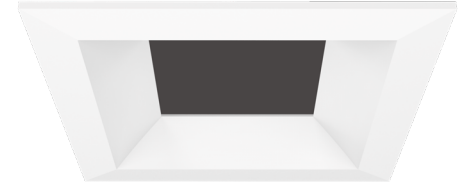


High Center Beam Square Bevel Downlight 2"

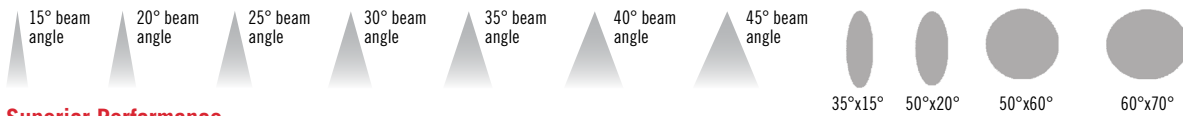


OVERVIEW

Feature Set

- Thirteen optimized distribution patterns allow designers to achieve tailored objectives
- Field interchangeable optic
- Driver and LED light engine fully serviceable from below ceiling
- 70% lumen maintenance at 60,000 hours
- 2.5 SDCM; 85 CRI typical, 90+ CRI optional
- Fixtures are wet location, covered ceiling with optional lens
- ENERGY STAR[®] Certified product
- Designed for neutral ceiling luminance
- Flangeless option available (FL option)
- Can be paired with complimentary bevel recessed adjustable and bevel lensed wallwash luminaires.

Distribution



Superior Performance

Nominal lumen	250	500	750	1000	1500	2000
Delivered	198	421	645	884	1325	1673
Wattage	3.1	5.6	8.7	12.0	19.8	28.6
Efficacy	64	75	74	73	67	59

*Based on 3500K 80CRI 15D

COMPLIMENTARY PRODUCTS

Coordinated Apertures | Multiple Layers of Light



General Illumination Layer | EVO



High Center Beam Layer | Incito



EVO + Incito — Multiple Layers of Light

Core	Downlight	Adjustable	Open Wallwash	Lensed Wallwash	Cylinder	Pinhole	Bevel	Hyperbolic
Healthcare	MRI	Surgical Suite	Patient Room					
Special Applications	Dynamic	Food Service	Vandal/Tamper	Clean Room	Shower	Steam Room		

ORDERING INFORMATION

A+ Capable options indicated by this color background.

Luminaire Type:

Catalog Number:

EXAMPLE: IC02SQBEV 35/10 WR 20D MVOLT UGZ

Series	Color Temperature	Lumens	Reflector Color	Flange Type	Lensing	Beam
IC02SQBEV Incito 2in Square Bevel Downlight	27/ 2700 K	02 250 lumens	WR White painted	(blank) Self-flanged	(blank) Open	15D 15° beam angle
	30/ 3000 K	05 500 lumens	BR Black	FL Flangeless	SOL Solite pattern lens	20D 20° beam angle
	35/ 3500 K	07 750 lumens	BZR Dark Bronze painted		LTF Light frost lens	25D 25° beam angle
	40/ 4000 K	10 1000 lumens			SMT Clear	30D 30° beam angle
	50/1 5000 K	15 1500 lumens				35D 35° beam angle
		20 2000 lumens				40D 40° beam angle
						45D 45° beam angle
						3515D Elliptical 35° x 15° beam angle
						5020D Elliptical 50° x 20° beam angle
						5060D Elliptical 50° x 60° beam angle
						6070D Elliptical 60° x 70° beam angle

Voltage	Driver	Control Interface ⁴	Options
MVOLT 120V - 277V 120 120V 277 277V	UGZ ² Universal dimming to 1% (0-10V, 120V TRIAC or ELV) ECOD ³ Lutron® EcoSystem® digital Hi-Lume <1% soft-on, fade to black. Min: 500LM; Max: 1500LM	(blank) NLT nLight® dimming pack. NLTER ⁵ nLight® dimming pack for fixtures on emergency circuit NLTAIR2 nLight® AIR dimming pack. NLTAIRER2 ⁵ nLight® AIR dimming pack for fixtures on emergency circuit NLTAIREM2 nLight® AIR dimming pack for fixtures on emergency circuit	90CRI ¹ High CRI (90+) NCH ⁶ Structural reinforcement pan ICAT ⁷ IC/Airtight housing construction CP ⁷ Chicago Plenum HAO ⁸ High ambient (40°C) N80 ⁹ nLight Lumen Compensation TRW White painted flange TRBL Black painted flange

ACCESSORIES — order as separate catalog numbers (shipped separately)

IC02OPTC XXD	Additional optics for field installation. Replace "XX" with beam angle.
IC02OPTC KIT	Kit including a field interchangeable optic for each of the 13 preset beam distribution patterns
SDT 347/120 75VA	347V/120V, 75VA step down transformer. Must be remote mounted.

ORDERING NOTES

- 5000K CCT not available with 90CRI.
- Refer to [Tech 240](#) for compatible dimmers.
- Not available with Control Interfaces (nLight). Not compatible with spray foam with 1000LM, 1500LM, or 2000LM options.
- Field installed. Access required to location of remote mounted device.
- ER for use with generator supply power. Will require an emergency hot feed and normal hot feed.
- NCH is required for T-grid ceilings or where code requires.
- Not available with 1500lm or 2000lm.
- Not available with 2000lm
- Requires NLT or NLTER.
- WL requires a lens (e.g. SOL).

Optical and Trim Assembly

Fully serviceable and upgradeable lensed LED light engine suitable for field maintenance or service from above or below the ceiling. Flangeless trim option includes proprietary Gotham mud ring enabling seamless integration into drywall applications. Mud ring ships separately. Superior 100% Virgin-silicone refractive optic, enables maximum dimensional stability and optical transmission with no discoloration over life. Field inter-changeable optics. Knife edge along luminous aperture to eliminate flash. Fully black interior to conceal hardware. Wet paint finish.

Electrical

The luminaire shall operate from a 50 or 60 Hz ±3 Hz AC line over a voltage ranging from 120 VAC to 277 VAC. Support 347V via remote-mounted stepdown transformer. The fluctuations of line voltage shall have no visible effect on the luminous output. The luminaire shall have a power factor of 90% or greater at all standard operating voltages and full luminaire output. Sound Rated A+. Driver shall be >80% efficient at full load across all input voltages.

Controls

Luminaire shall be equipped with interface for nLight wired or nLight AIR networks with integral power supply as per specification.

Dimming

The luminaire shall be capable of continuous dimming without perceivable stroboscopic flicker as measured by flicker index (ANSI/IES RP-16-10) over a range of 100 – 1.0% of rated lumen output with a smooth shut off function to step to 0%. Driver is inaudible in 24dB environment, and stable when input voltage conditions fluctuate over what is typically experienced in a commercial environment.

Construction

Light engine and driver are accessible from below ceiling. Several additional mounting options available including a structural reinforcement pan, Chicago plenum, and Type IC. Anodized extruded aluminum wiring compartment with hinged access. With two 1/2" trade-sized knockouts rated for 90°C. Accommodates between 3/8" to 2-3/4"-thick ceilings.

Listings

Fixtures are UL Certified to meet US and Canadian Standards: All fixtures manufactured in strict accordance with the appropriate and current requirements of the "Standards for Safety" to UL, wet location covered ceiling. ENERGY STAR® Certified product. IC rated with ICAT option. Fixtures with ICAT option are compatible with spray foam insulation with an R-value of 4.3 per inch or less. Luminaire configurations are Energy Star certified through testing in EPA-recognized laboratories, with the results reviewed by an independent, accredited certification organization. Visit www.energystar.gov for specific configurations listed

Photometrics

LEDs tested to LM-80 standards. Measured by IESNA Standard LM-79-08 in an accredited lab. Lumen output shall not decrease by more than 30% over the minimum operational life of 60,000 hours. Color appearance from luminaire to luminaire of the same type and in all configurations, shall be consistent both initially and at 6,000 hours and operate within a tolerance of <2.5 MacAdam ellipse as defined by the center of the quadrangles defined in ANSI C78.377-2015.

Buy American Act

This product is assembled in the USA and meets the Buy America(n) government procurement requirements under FAR, DFARS and DOT regulations. Please refer to www.acuitybrands.com/buy-american for additional information.

Warranty

5-year limited warranty. This is the only warranty provided and no other statements in this specification sheet create any warranty of any kind. All other express and implied warranties are disclaimed. Complete warranty terms located at: www.acuitybrands.com/support/warranty/terms-and-conditions

Note:

Actual performance may differ as a result of end user environment and application. All values are design or typical values, measured under laboratory conditions at 25 °C.

A+ Capable Luminaire

This item is an A+ capable luminaire, which has been designed and tested to provide consistent color appearance and out-of-the-box control compatibility with simple commissioning.

- All configurations of this luminaire meet the Acuity Brands' specification for chromatic consistency
- This luminaire is part of an A+ Certified solution for nLight® control networks when ordered with drivers marked by a shaded background*
- This luminaire is part of an A+ Certified solution for nLight® control networks, providing advanced control functionality at the luminaire level, when selection includes driver and control options marked by a shaded background*

To learn more about A+, visit www.acuitybrands.com/aplus.

*See ordering tree for details

Tables of Use

Lumen Output Multiplier		
CRI	CCT	Multiplier
80	2700K	0.910
	3000K	0.946
	3500K	1.000
	4000K	1.027
	5000K	1.054
90	2700K	0.784
	3000K	0.847
	3500K	0.874
	4000K	0.946

Driver		Control Provided				
Nomenclature	Description	NLT	NLTER	NLTAIR2	NLTAIREM2	NLTAIRER2
UGZ	0-10V driver dims to 1%	nPP16 D EFP	nPP16 D ER EFP	RPP20 D 24V G2	RPP20 D 24V EM G2	RPP20 D 24V ER G2

Marked Spacing in Inches 25°C Ambient			
Lumen Package	Fixed Center to Center MIN	Fixture Center to Building Member MIN	Space Above Fixture
2000	18	9	3
1500 (HAO)	18	9	3

*Dimensions in inches [centimeters]

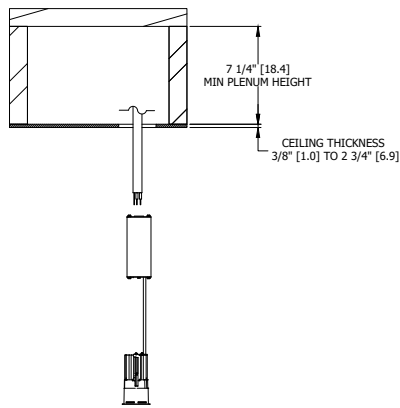
Aperture: 2-1/4" [5.7]

Ceiling Opening: 2-5/8" [6.7] self-flanged

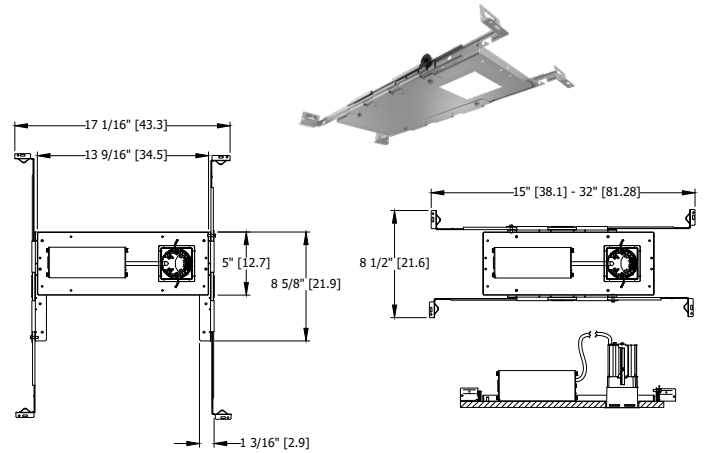
Overlap Trim: 3" [7.6]

2-3/4" [7] flangeless

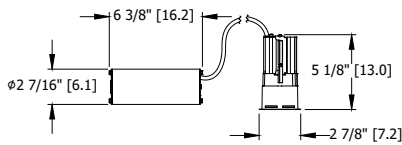
Recessed Application - Minimum Clearance Requirements



Structural Reinforcement Pan



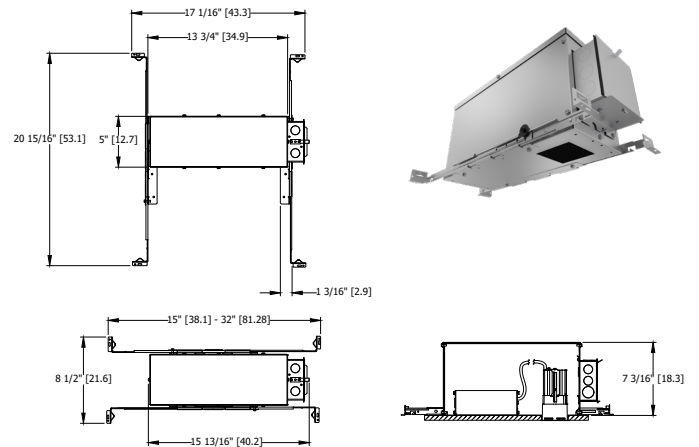
1000 Lumen and Below Install-from-Below Construction



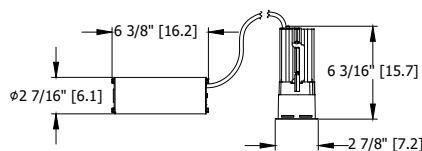
Ceiling cutout: 2 5/8" x 2 5/8" [6.7 x 6.7]
 Flex conduit length: 16" [40.6]
 Ceiling thickness range: 3/8" [1.3] to 2 3/4" [6.9]



IC / Airtight Housing / Chicago Plenum Construction



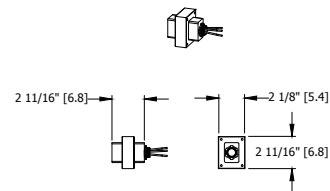
1500 and 2000 Lumen or High Ambient Option Install-from-Below Construction



Ceiling cutout: 2 5/8" x 2 5/8" [6.7 x 6.7]
 Flex conduit length: 16" [40.6]
 Ceiling thickness range: 3/8" [1.3] to 2 3/4" [6.9]

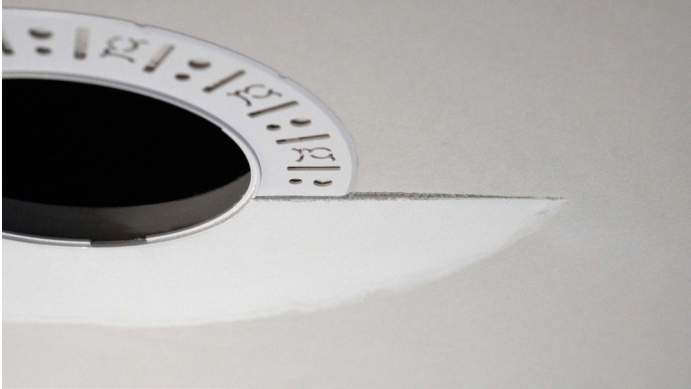


347V Transformer

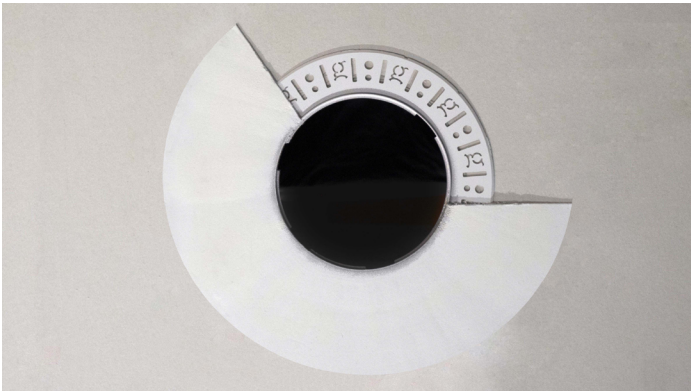


347 Transformer:
 Install to accessible
 junction box by others

Flangeless



Partially finished mud ring, showing cross-section detail.



An ICO downlight requires only approximately 3" of plaster to finish.



ICO with flangeless trim

Flangeless Installation

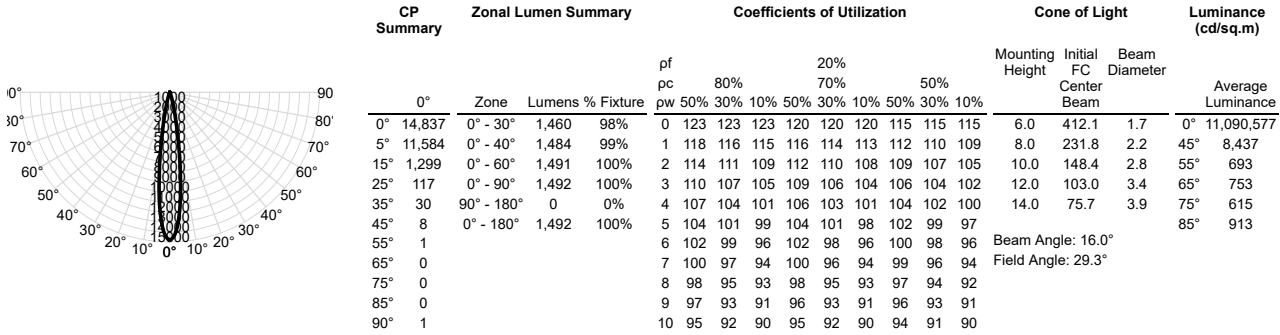
Gotham's flangeless option utilizes a micro-thin polymer mud ring that minimizes the amount of drywall compound required to finish the ceiling. The end result is a virtually undetectable flangeless downlight installation.

The polymer mud ring is installed independent of the of the recessed frame, therefore floating with the ceiling. This innovation minimizes any surface cracks during reflector installation, ceiling movement and any future service to the recessed frame, wiring, electronics, etc.

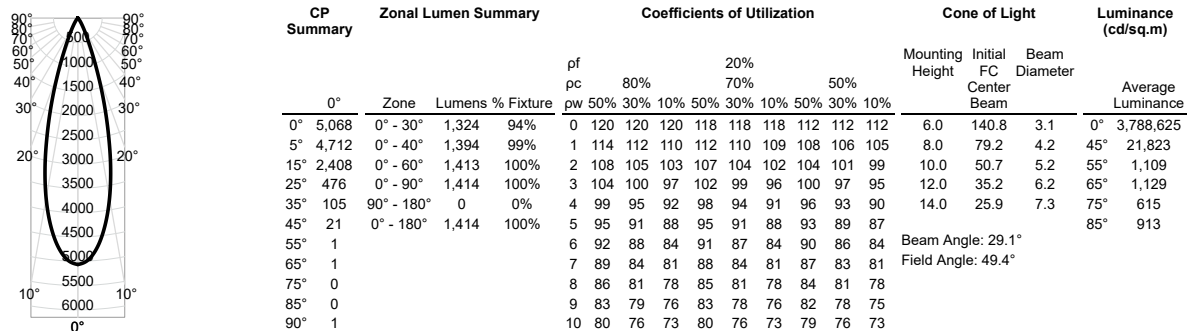
Photometry

CONSULT WWW.GOTHAMLIGHTING.COM FOR ADDITIONAL PHOTOMETRY

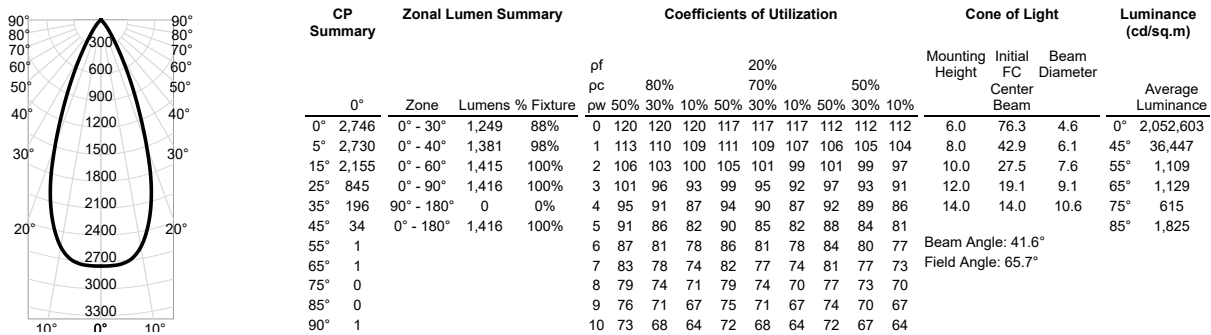
ICO2SQBEV 35/15 WR 15D Input Watts: 19.8, Delivered Lumens: 1492, LPW: 75.4, S/MH: 0.27, Test No: 19-412-01P561



ICO2SQBEV 35/15 WR 30D Input Watts: 19.8, Delivered Lumens: 1414, LPW: 71.4, S/MH: 0.48, Test No: 19-412-04P561



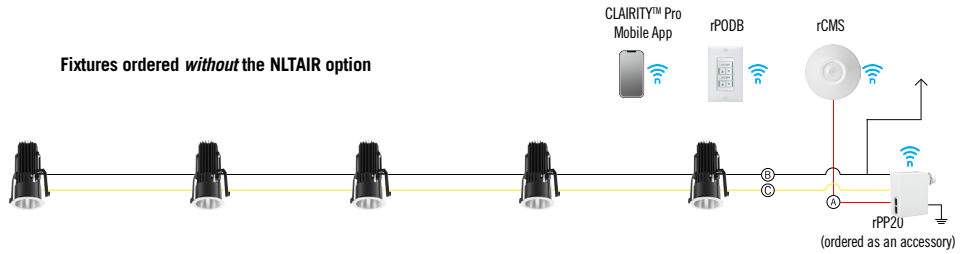
ICO2SQBEV 35/15 WR 45D Input Watts: 19.8, Delivered Lumens: 1416, LPW: 71.5, S/MH: 0.69, Test No: 19-412-07P561



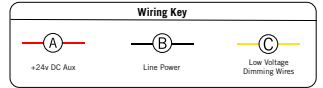
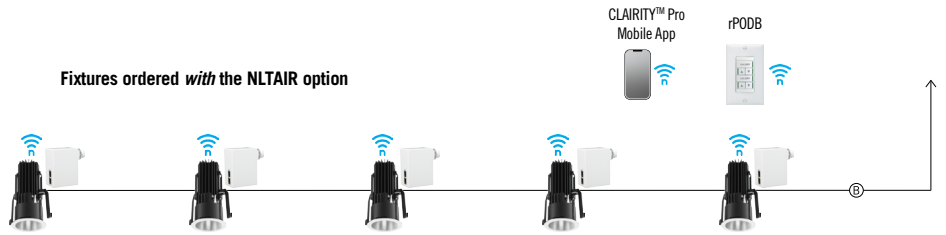
nLight® AIR is the ideal solution for retrofit or new construction spaces where adding communication wiring is cost prohibitive. The integrated nLight AIR rPP20 Power Pack is part of each EVO Luminaire ordered with the NLTAIR option. These individually addressable controls offer the ultimate in flexibility during initial setup and for space repurposing.

Possibilities for nLight® AIR

Fixtures ordered *without* the NLTAIR option



Fixtures ordered *with* the NLTAIR option



nLight® AIR Control Accessories

Order as separate catalog number. Visit [nLight AIR](#).

Wall Switches	Model Number
On/Off single pole	rPODB (color) G2
On/Off two pole	rPODB 2P (color) G2
On/Off & raise/lower single pole	rPODB DX (color) G2
On/Off & raise/lower two pole	rPODB 2P DX (color) G2

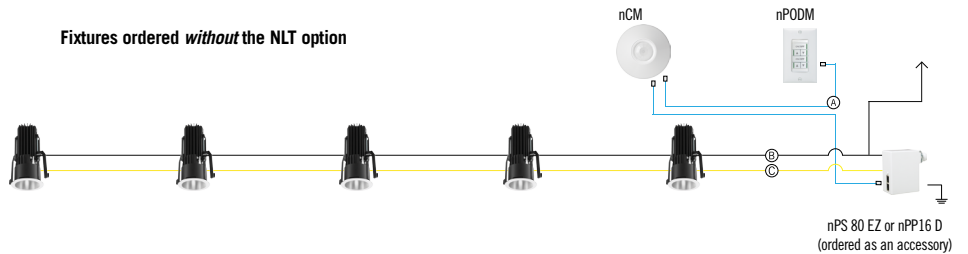
nLight® AIR Control Accessories (cont.)

Occupancy Sensors (PIR/dual tech)	Model Number
Small motion 360°, ceiling	rCMS 9 / rCMS PDT 9
Large motion 360°, ceiling	rCMS 10 / rCMS PDT 10

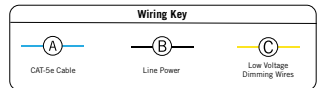
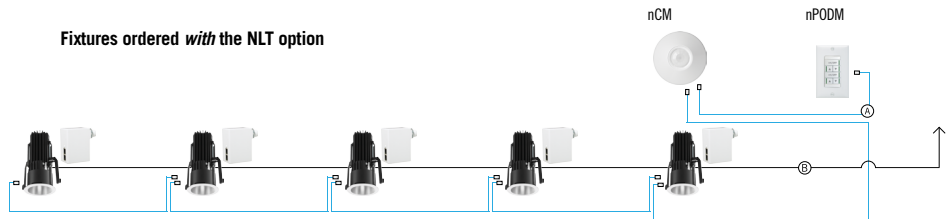
nLight® Wired The nLight® solution is a digital networked lighting control system that provides both energy savings and increased user configurability by cost effectively integrating time-based, daylight-based, sensor-based and manual lighting control schemes.

Possibilities for nLight® wired

Fixtures ordered *without* the NLT option



Fixtures ordered *with* the NLT option



nLight® Wired Control Accessories

Order as separate catalog number. Visit [nLight](#).

Wall Switches	Model Number
On/Off single pole	nPODM (XX)
On/Off two pole	nPODM 2P (XX)
On/Off & raise/lower single pole	nPOD DX (XX)
On/Off & raise/lower two pole	nPODM 2P DX (XX)
Graphic touchscreen	nPOD GFX (XX)

Photocell Controls	Model Number
Dimming	nCM ADCX

nLight® Wired Control Accessories (cont.)

Occupancy Sensors (PIR/dual tech)	Model Number
Small motion 360°, ceiling	nCM 9 / nCM PDT 9
Large motion 360°, ceiling	nCM 10 / nCM PDT 10
Wide View	nWV 16 / nWV PDT 16
Wall switch with raise/lower	nWSX LV DX / nWSX PDT LV DX

Cat-5 Cables (plenum rated)	Model Number
10', CAT5	CAT5 10FT J1
15', CAT5	CAT5 15FT J1