

OVERVIEW

## General Illumination Pendant Stem Cylinder

# 6"

### Feature Set

- Batwing distribution with feathered edges provides even illumination on horizontal and vertical surfaces
- Bounding Ray™ optical design
- 45° cutoff to source and source image
- Fully serviceable lensed LED light engine
- 70% lumen maintenance at 60,000 hours
- 2.5 MacAdam Ellipse; 85 CRI typical, 90+ CRI optional
- Fixtures are damp location standard; Wet location (WL) optional, requires covered ceiling
- 20 standard colors in textured and gloss finish; custom or RAL colors also available
- Multiple recessed or surface j-box mounting configurations available
- Field cuttable 5/8" stems with concealed couplers.
- ENERGY STAR® Certified product\*
- UGR of zero for fixtures aimed at nadir with a cut-off equal to or less than 60deg per CIE 117-1995 Discomfort Glare in Interior Lighting. [UGR FAQ](#)

### Distribution



### Superior Performance

| Nominal Lumens   | 250  | 500  | 750  | 1000  | 1500  | 2000  | 2500  | 3000  | 3500  | 4000  | 4500 | 5000  | 6000  | 8000  | 10,000 | 12,000 |
|------------------|------|------|------|-------|-------|-------|-------|-------|-------|-------|------|-------|-------|-------|--------|--------|
| Delivered Lumens | 297  | 519  | 776  | 994   | 1471  | 2006  | 2537  | 3077  | 3542  | 4027  | 4533 | 5256  | 6371  | 8247  | 10637  | 12332  |
| Wattage          | 3.4  | 6.2  | 8.2  | 9.6   | 14.7  | 19.7  | 24.7  | 29.5  | 33.8  | 39.0  | 47.3 | 48.7  | 57.6  | 74.9  | 97.1   | 115    |
| Lumens per Watt  | 87.4 | 83.7 | 94.6 | 103.5 | 100.1 | 101.8 | 102.7 | 104.3 | 104.8 | 103.3 | 95.8 | 107.9 | 110.6 | 110.1 | 109.5  | 107.2  |

COMPLEMENTARY PRODUCTS

### Coordinated Apertures | Multiple Layers of Light



General Illumination Layer | EVO



High Center Beam Layer | Incito



EVO + Incito — Multiple Layers of Light

### Core



### Healthcare



### Special Applications



Luminaire Type:

Catalog Number:

EXAMPLE: EVO6PC 35/15 AR MWD LSS MVOLT EZ1 JBXCC PCAN S12 DWHG

| Series  | Color Temperature              | Lumens         | Trim Color   | Reflector Finish  | Distribution               | Voltage           |
|---|--------------------------------|----------------|--|-------------------|----------------------------|-------------------|
| EVO6PC EVO 6in Pendant Stem Round Cylinder Open Downlight | 27/ 2700 K                     | 02 250 lumens  | AR Clear   | LSS Semi-specular | VND Very narrow (0.5 s/mh) | MVOLT 120V - 277V |
|   | 30/ 3000 K                     | 05 500 lumens  | PR Pewter  | LD Matte diffuse  | ND Narrow (0.7 s/mh)       | 120 120V          |
|   | 35/ 3500 K                     | 07 750 lumens  | WTR Wheat  | LS Specular       | MD Medium (0.9 s/mh)       | 277 277V          |
|   | 40/ 4000 K                     | 10 1000 lumens | GR Gold  |                   | MWD Medium wide (1.0 s/mh) | 347* 347V         |
|   | 50/ 5000 K                     | 15 1500 lumens | WR <sup>2</sup> White painted  |                   | WD Wide (1.2 s/mh)         |                   |
|   |                                | 20 2000 lumens | BR <sup>2</sup> Black  |                   |                            |                   |
|   |                                | 25 2500 lumens | WRAMF <sup>2</sup> White Anti-microbial                                |                   |                            |                   |
|   |                                | 30 3000 lumens | BZR <sup>2</sup> Dark Bronze painted                                   |                   |                            |                   |
|   |                                | 35 3500 lumens | TRALTBD <sup>2,3</sup> Trim RAL # TBD (TBD for pricing only)           |                   |                            |                   |
|   |                                | 40 4000 lumens | TCPC <sup>2,3</sup> Trim Custom Paint Color TBD (TBD for pricing only) |                   |                            |                   |
|   |                                | 45 4500 lumens |  |                   |                            |                   |
|   |                                | 50 5000 lumens |  |                   |                            |                   |
|   |                                | 60 6000 lumens |  |                   |                            |                   |
|   | 80 8000 lumens                 |                |  |                   |                            |                   |
|   | 100 <sup>1</sup> 10,000 lumens |                |  |                   |                            |                   |
|   | 120 <sup>1</sup> 12,000 lumens |                |  |                   |                            |                   |

| Driver <sup>5</sup>  | Mounting   | Canopy Type   | Stem Length <sup>12</sup> |
|--|--|---|---------------------------|
| GZ10 0-10V driver dims to 10%  | JBX Integral driver, Recessed or Surface J-box<br>JBXCC Integral driver, Surface J-box with Conduit Covers<br>SGB <sup>9</sup> Surface gear box. Recessed or surface J-box<br>SGBCC <sup>9</sup> Surface gear box (for driver at ceiling), surface J-box with Conduit Covers.<br>RGH <sup>10</sup> Recessed Gear Housing | PCAN 5° Stem canopy with "hang straight" swivel<br>PCAN45 <sup>11</sup> 45° Stem canopy with "hang straight" swivel | S2 2 foot 5/8" stem       |
| GZ1 0-10V driver dims to 1%  |  |   | S4 4 foot 5/8" stem       |
| EZ10 eldoLED 0-10V ECOdrive. Linear dimming to 10% min.  |  |   | S6 6 foot 5/8" stem       |
| EZ1 eldoLED 0-10V ECOdrive. Linear dimming to 1% min.  |  |   | S8 8 foot 5/8" stem       |
| EZB eldoLED 0-10V SOLOdrive. Logarithmic dimming to <1%.   |  |   | S10 10 foot 5/8" stem     |
| EDAB <sup>6</sup> eldoLED SOLOdrive DALI. Logarithmic dimming to <1%.  |  |   | S12 12 foot 5/8" stem     |
| EDXB <sup>6,7,8</sup> eldoLED POWERdrive DMX with RDM (remote device management). Square Law dimming to <1%. Min: 1000LM; Max: 8000LM. Not available with Emergency Options. |  |   | S16 16 foot 5/8" stem     |
| ECOD <sup>6</sup> Lutron® EcoSystem® digital Hi-Lume 1% soft-on, fade to black. Max: 8000LM except 4500LM.   |  |   | S20 20 foot 5/8" stem     |
| ELV <sup>6</sup> Electronic line voltage / Forward phase / Triac dimming, 120V Only.   |  |   |                           |

| Emergency Option  | Control Interface <sup>13</sup>   | Options  | Architectural Colors - Powder Paint <sup>3</sup>           |
|---|---|--|--|
| (blank) No emergency options  | (blank) No controls   | 90CRI High CRI (90+)   | DDB Gloss Dark Bronze                                      |
| E6W 6W integral emergency battery, CA Title 20 compliant emergency battery pack with integral test switch. Only available with GZ10, GZ1 and ELV Drivers. Only for use with 500-4500 lumen options. | NLT nLight® dimming pack. Specify 120V or 277V.   | CP <sup>15</sup> Chicago Plenum. Specify 120V or 277V (requires RGH) | DBL Matte Black  |
| E7WCP IOTA® 7W Constant Power emergency battery (sidecar). Only for use with 750-8000 lumen options.  | NLTER <sup>14</sup> nLight® dimming pack for fixtures on emergency circuit. Specify 120V or 277V.         | HAO <sup>16</sup> HAO High Ambient Option (40°C)                     | DWH Gloss White  |
| E10WCP IOTA® 10W Constant Power, CA Title 20 compliant emergency battery pack with integral test switch. Only for use with 1000-8000 lumen options. (sidecar or RGH)                                | NLTAIR2 nLight® AIR dimming pack. Specify 120V or 277V.   | N80 <sup>17</sup> nLight Lumen Compensation                          | DMB Matte Medium Bronze                                    |
| E10WCPR IOTA® 10W Constant Power, CA Title 20 compliant emergency battery pack with remote test switch. Only for use with 1000-8000 lumen options. (requires RGH)                                   | NLTAIRER2 <sup>14</sup> nLight® AIR dimming pack for fixtures on emergency circuit. Specify 120V or 277V. | SF Single fuse. Specify 120V or 277V.                                | DNA Gloss Natural Aluminum                                 |
| E15WCP IOTA® 15W Constant Power, CA Title 20 compliant emergency battery. Only for use with 1500-8000 lumen options. (sidecar)  |   | WL <sup>18</sup> Wet Location  | DSS Gloss Sandstone  |
| GTD IOTA® Generator Transfer Device. Specify 120V or 277V (requires RGH)  |   |  | DGC Gloss Charcoal Grey                                    |
|   |   |  | DTG Gloss Tennis Green                                     |
|   |   |  | DBR Gloss Bright Red                                       |
|   |   |  | DSB Gloss Steel Blue                                       |
|   |   |  | DDBT Textured Dark Bronze                                  |
|   |   |  | DBLB Textured Black  |
|   |   |  | DWHG Textured White  |
|   |   |  | DBNH Textured Bronze                                       |
|   |   |  | DNAT Textured Natural Aluminum                             |
|   |   |  | DSST Textured Sandstone                                    |
|   |   |  | DSPD Textured Dark Grey                                    |
|   |   |  | DSPE Textured Green  |
|   |   |  | DSPH Textured Light Red                                    |
|   |   |  | DWHAMF Gloss White with Anti-microbial finish              |
|   |   |  | RALTBD Cylinder RAL # TBD (TBD for pricing only)           |
|   |   |  | CPC Cylinder Custom Paint Color TBD (TBD for pricing only) |

**ACCESSORIES — order as separate catalog numbers (shipped separately)**

|                                |  |
|--------------------------------|--|
| <b>GCOLORS KIT</b>             | Architectural colors chip kit, consisting of powder-coat and plated finishes   |
| <b>CYLJBOXADPT 4SQ2OCT</b> ___ | 4in Square J-box to 4in Octagonal J-box adaptor. Replace ___ with Architectural Color or PRM for primed ready for field painting |
| <b>CYLSTBL KIT</b>             | Stabilization Kit for securing pendant stem fixtures   |

**ORDERING NOTES**

- 10,000 & 12,000 lumens not available with 347, EDXB, Lutron, SGB, SGBCC, RGH, Emergency Options, HAO, WL & CP.
- Not Available with Reflector Finishes.
- Replace with applicable RAL number and finish when ready to order. See [RAL BROCHURE](#) for available color options. Not available with integral test switch emergency battery pack options. For details on all Acuity Architectural paint colors, RAL and Custom colors, please see [Architectural colors](#).
- Integral 347V drivers available with GZ10 and GZ1 driver options only - 3500LM max. All other drivers (and GZ1 & GZ10 above 3000LM) will come with a step-down transformer - factory installed with RGH mounting, and field installed with JBX and JBXCC mounting (remote mount location and access to device required). Not available with SGB, SGBCC or Emergency Options. Max 5000LM.
- Refer to [Tech 240](#) for compatible dimmers.
- Not Available with Control Interfaces.
- Requires SGB or SGBCC mounting option.
- Includes terminator resistor. Not available with 250-750 lumen packages.
- Only available with DMX driver (EDXB).
- Not available with E6W, E7W or E15WCP Emergency Options.
- Not available with SGB or SGBCC: those mountings require a flat ceiling.
- Stem section adjacent to cylinder can be cut in field to achieve non-uniform lengths (i.e. for a field cut 3' length, order 4' stem).
- Factory installed with RGH option otherwise field installed. Access required to location of remote mounted device.
- ER for use as UL924 Emergency Operation via power sense lead. Will require an emergency hot feed and normal hot feed. EM for use as UL924 Emergency Operation
- CP not valid with NLTAIR2, NLTAIRER2 or Emergency Options.
- Only available up to 3500 lumens. Not available with WL or sidecar Emergency Options.
- Fixture begins at 80% light level. Must be specified with NLT or NLTER. Only available with EZ10 and EZ1 drivers.
- Not available with JBXCC, SGB, SGBCC or Sidecar Emergency Options. Max: 3500LM.

**Optical Assembly**

Fully serviceable and upgradeable lensed LED light engine suitable for field maintenance or service from below the ceiling. Optical design is a Bounding Ray™ design with 45° cutoff to source and source image. Top down flash characteristic for superior glare control.

**Electrical**

The luminaire shall operate from a 50 or 60 Hz ±3 Hz AC line over a voltage ranging from 120 VAC to 277 VAC. Support 347V via remote-mounted stepdown transformer. The fluctuations of line voltage shall have no visible effect on the luminous output. The luminaire shall have a power factor of 90% or greater at all standard operating voltages and full luminaire output. Sound Rated A+. Driver shall be >80% efficient at full load across all input voltages. Input wires shall be 18AWG, 300V minimum solid copper. All drivers are ROHS compliant.

**Controls**

Luminaire shall be equipped with interface for nLight wired or nLight AIR networks with integral power supply as per specification.

**Emergency**

Luminaires supplied with a battery pack comply with NFPA 101 (Life Safety code) and deliver constant light output throughout the 90 minutes of code required emergency operation period when there is a normal AC power loss. Luminaires equipped with a generator transfer device work in conjunction with an auxiliary generator or a central inverter system to power fixtures for safe egress lighting.

**Dimming**

The luminaire shall be capable of continuous dimming without perceivable stroboscopic flicker as measured by flicker index (ANSI/IES RP-16-10) over a range of 100 – 10%, 100 – 1.0% or 100 – 0.1% of rated lumen output with a smooth shut off function to step to 0%. eldoLED LED drivers shall conform to IEEE P1789 standards. Alternatively, manufacturers must demonstrate conformance with product literature and testing which demonstrates this performance. Systems that do not meet IEEE P1789 will not be considered. Driver is inaudible in 24dB environment, and stable when input voltage conditions fluctuate over what is typically experienced in a commercial environment.

**Construction**

Heaving-gauge aluminum construction. Extruded cylinder body with flangeless reflector allows flow-through passive thermal management. Canopy matches cylinder in finish and diameter. Pendant stem mount for installation to 4” recessed or surface octagonal junction box with integral driver. Recessed gear box available for driver above ceiling, nLight, CP, GTD or battery pack options. Surface gear box available for driver at ceiling installation. Optional field configurable conduit covers available. Conduit covers match cylinder in finish and diameter.

**WARNING: All pendant fixtures exposed to wind require tethering – see page 6.**

**Listings**

Fixtures are CSA Certified to meet US and Canadian Standards: All fixtures manufactured in strict accordance with the appropriate and current requirements of the “Standards for Safety” to UL, damp location standard; wet location (WL) optional, requires covered ceiling. Luminaire configurations are Energy Star certified through testing in EPA-recognized laboratories, with the results reviewed by an independent, accredited certification organization. Visit [www.energystar.gov](http://www.energystar.gov) for specific configurations listed. \*Not all configurations are Energy Star listed.

**Photometrics**

LEDs tested to LM-80 standards. Measured by IESNA Standard LM-79-08 in an accredited lab. Lumen output shall not decrease by more than 30% over the minimum operational life of 60,000 hours. Color appearance from luminaire to luminaire of the same type and in all configurations, shall be consistent both initially and at 60,000 hours and operate within a tolerance of <2.5 MacAdam ellipse as defined by the center of the quadrangles defined in ANSI C78.377-2015.

**BUY AMERICAN ACT**

This product is assembled in the USA and meets the Buy America(n) government procurement requirements under FAR, DFARS and DOT regulations. Please refer to [www.acuitybrands.com/buy-american](http://www.acuitybrands.com/buy-american) for additional information.

**Warranty**

5-year limited warranty. This is the only warranty provided and no other statements in this specification sheet create any warranty of any kind. All other express and implied warranties are disclaimed. Complete warranty terms located at: [www.acuitybrands.com/support/warranty/terms-and-conditions](http://www.acuitybrands.com/support/warranty/terms-and-conditions)

**Note:**

Actual performance may differ as a result of end user environment and application. All values are design or typical values, measured under laboratory conditions at 25 °C.

**A+ Capable Luminaire**

This item is an A+ capable luminaire, which has been designed and tested to provided consistent color appearance and out-of-the-box control capability with simple commissioning when used with Acuity Brands controls products. All configurations of this luminaire are calibrated and tested meet the Acuity Brands' specification for chromatic consistency - including color rendering, color fidelity and color temperature tolerance around standard CIE chromaticity coordinates. To learn more about A+, visit [www.acuitybrands.com/aplus](http://www.acuitybrands.com/aplus).

Tables of Use

| EVO - eldoLED Driver Default Dimming Curve |             |                  |                    |
|--|-------------|------------------|--------------------|
| Nomenclature                               | Min Dimming | Driver Dim Curve | Control Dim Curve  |
| EZ10                                       | 10%         | Linear           | Linear/Logarithmic |
| EZ1  | 1%          | Linear           | Linear/Logarithmic |
| EZB  | <1%         | Logarithmic      | Linear             |
| EDAB                                       | <1%         | Logarithmic*     | Linear             |
| EDXB                                       | <1%         | Square           | Linear             |

\*Changable through DALI controller

| Driver       |                          | Control Provided<br>(note: 347V/UVOLT versions provided with 347 option selected) |                |                |                   |
|--------------|--------------------------|---|----------------|----------------|-------------------|
| Nomenclature | Description              | NLT   | NLTER          | NLTAIR2        | NLTAIRER2         |
| GZ10         | 0-10V driver dims to 10% | nPP16 D EFP   | nPP16 D ER EFP | RPP20 D 24V G2 | RPP20 D 24V ER G2 |
| GZ1          | 0-10V driver dims to 1%  | nPP16 D EFP   | nPP16 D ER EFP | RPP20 D 24V G2 | RPP20 D 24V ER G2 |
| EZ10         | eldoLED 0-10V ECOdrive   | nPS 80 EZ   | nPS 80 EZ ER   | RPP20 D 24V G2 | RPP20 D 24V ER G2 |
| EZ1          | eldoLED 0-10V ECOdrive   | nPS 80 EZ   | nPS 80 EZ ER   | RPP20 D 24V G2 | RPP20 D 24V ER G2 |
| EZB          | eldoLED 0-10V SOLOdrive  | nPS 80 EZ   | nPS 80 EZ ER   | RPP20 D 24V G2 | RPP20 D 24V ER G2 |

| J-box Compatibility Matrix    |                             | Cylinder Configurations            |                                    |       |                                    |                     |       |
|-------------------------------|-----------------------------|------------------------------------|------------------------------------|-------|------------------------------------|---------------------|-------|
|                               |                             | JBX                                | SGB                                | SGBCC | SGB w/EDXB Driver                  | SGBCC w/EDXB Driver | JBXCC |
| Recommended J-box (by others) | 4" Octagonal 4x4x1.5 deep"  | ✓                                  | ✓                                  | ✓     | ✓                                  | ✓                   | ✓     |
|                               | 4" Octagonal 4x4x2.125 deep | ✓                                  | ✓                                  | ✗     | ✓                                  | ✗                   | ✗     |
|                               | 4" Square 4x4x1.5 deep      | ✓<br>*with adaptor plate accessory | ✓<br>*with adaptor plate accessory | ✗     | ✓<br>*with adaptor plate accessory | ✗                   | ✗     |

Standard Architectural Color Options for Cylinder Bodies

|   |  |   |   |   |   |  |  |
|---|--|---|---|---|---|--|--|
| <br><b>DSS LITHONIA</b> P12<br>Sandstone  | <br><b>DSST TEXTURED</b> P90<br>Sandstone       | <br><b>DBR LITHONIA</b> P34<br>Bright Red        | <br><b>DSPH TEXTURED</b> P80<br>Light Red    | <br><b>DMB LITHONIA</b> P11<br>Medium Bronze | <br><b>DBNH TEXTURED</b> P74<br>Bronze     | <br><b>DTG LITHONIA</b> P33<br>Tennis Green | <br><b>DSPE TEXTURED</b> P78<br>Green |
| <br><b>DSB LITHONIA</b> P49<br>Steel Blue | <br><b>DNA LITHONIA</b> P07<br>Natural Aluminum | <br><b>DNAT TEXTURED</b> P89<br>Natural Aluminum | <br><b>DGC LITHONIA</b> P32<br>Charcoal Gray | <br><b>DSPD TEXTURED</b> P77<br>Dark Grey    | <br><b>DDB LITHONIA</b> P50<br>Dark Bronze | <br><b>DDBT TEXTURED</b> P88<br>Dark Bronze | <br><b>DBL LITHONIA</b> P13<br>Black  |
| <br><b>DBLB TEXTURED</b> P75<br>Black     | <br><b>DWH LITHONIA</b> P21<br>White            | <br><b>DWHG TEXTURED</b> P86<br>White            |   |   |   |  |  |

NOTE: These colors were carefully reproduced to give as true a depiction as possible of finished product color. Some colors, however, may vary slightly from actual appearance due to display/printing variations and limitations. Please order the GCOLORS KIT listed in the 'Accessories' section of the spec sheet for an accurate paint chip sample.

SPECIFICATIONS

**Stabilization Kit (CYLSTBL KIT) Accessory**

The Stabilization Kit offers additional support for applications where wind may be a factor and the pendant stem cylinder needs to be secured.

**Cables**

Three (3) 20 ft. 304 grade stainless steel aircraft cables with outer diameters of 1/16" are attached to anchoring mechanisms in the mounting surface at one end and the provided stem collar around the pendant stem at the other end.

Cables should be anchored 120° +/- 10° from each other radially and positioned at 45° or greater from the stem for optimal support of the fixture.

**Clamps and Stem Collars**

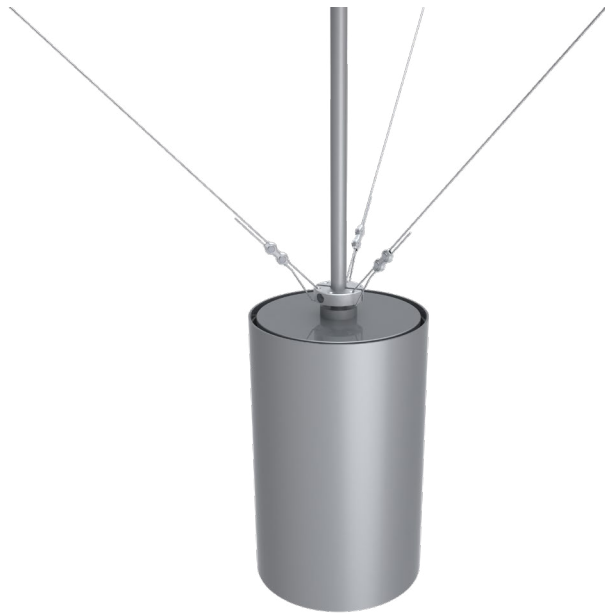
The stem collar consists of two (2) half stem collars made of 304 stainless steel. Both stem collar halves are attached around the pendant stem with 304 stainless steel socket head cap screws.

Six (6) cable clamps made of 304 stainless steel are used in the stabilization kit with two (2) clamps per cable attached to each anchoring point and the stem collar.

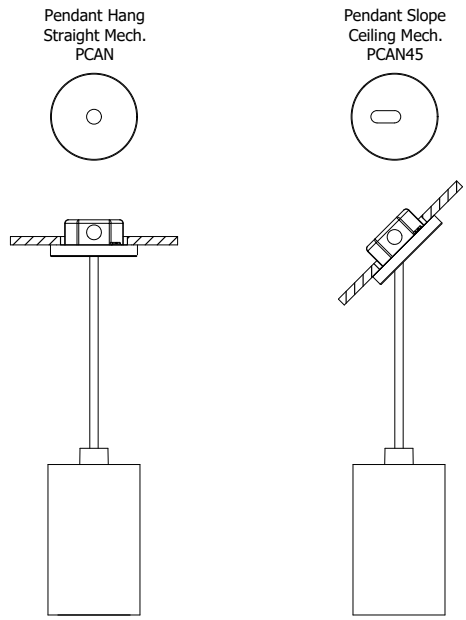
The cable tension can be adjusted from either end.

**Wind Load**

The Stabilization Kit is designed to withstand 90mph winds for 3 seconds comparable to ASCE 7-10, MRI 50-year (fixture EPA is 0.3 sq ft)

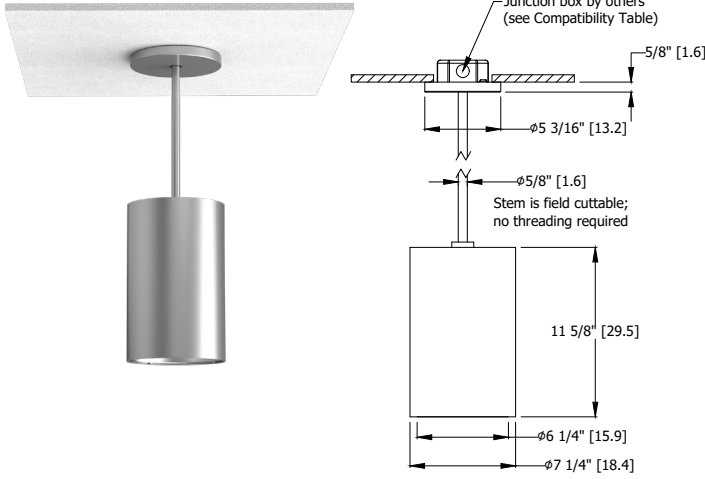


**Stem\_PCAN vs PCAN45**

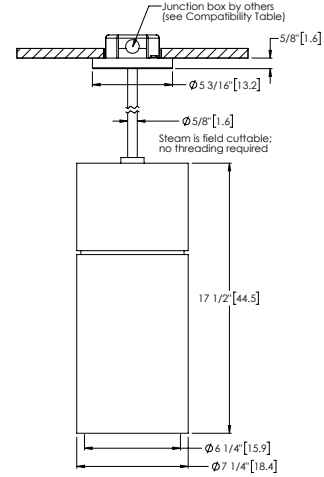


DIMENSIONAL DATA

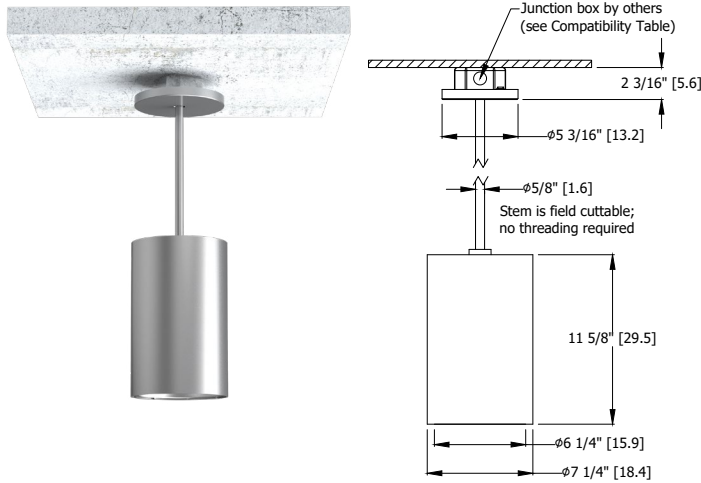
**JBX Recessed J-Box**



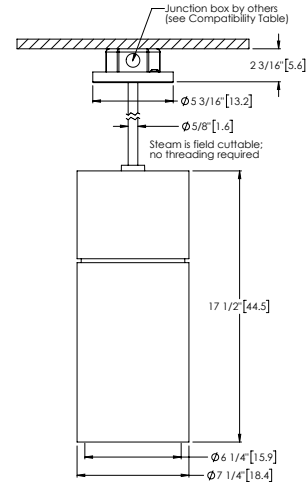
**10,000LM- 12,000LM JBX Recessed**



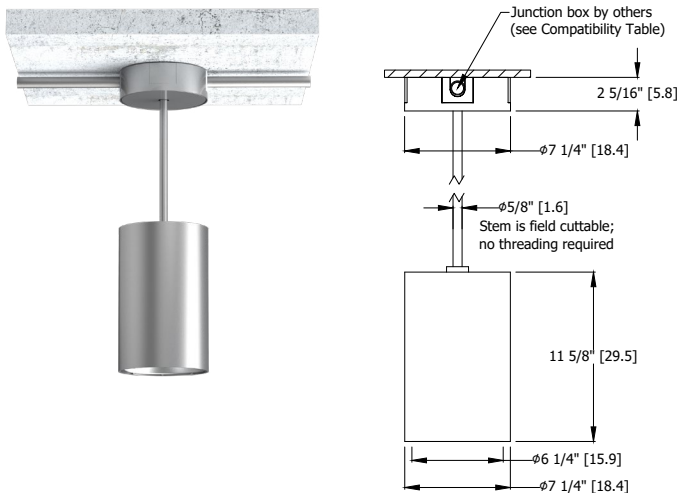
**JBX Surface J-Box**



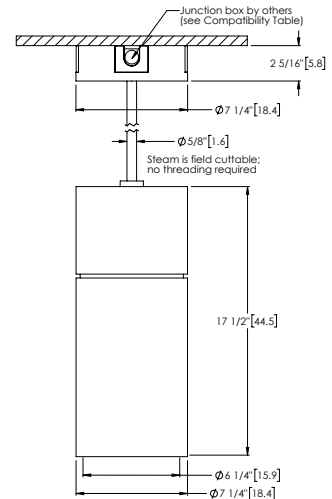
**10,000LM- 12,000LM JBX Surface**



**JBXCC Surface J-Box with Conduit Covers**



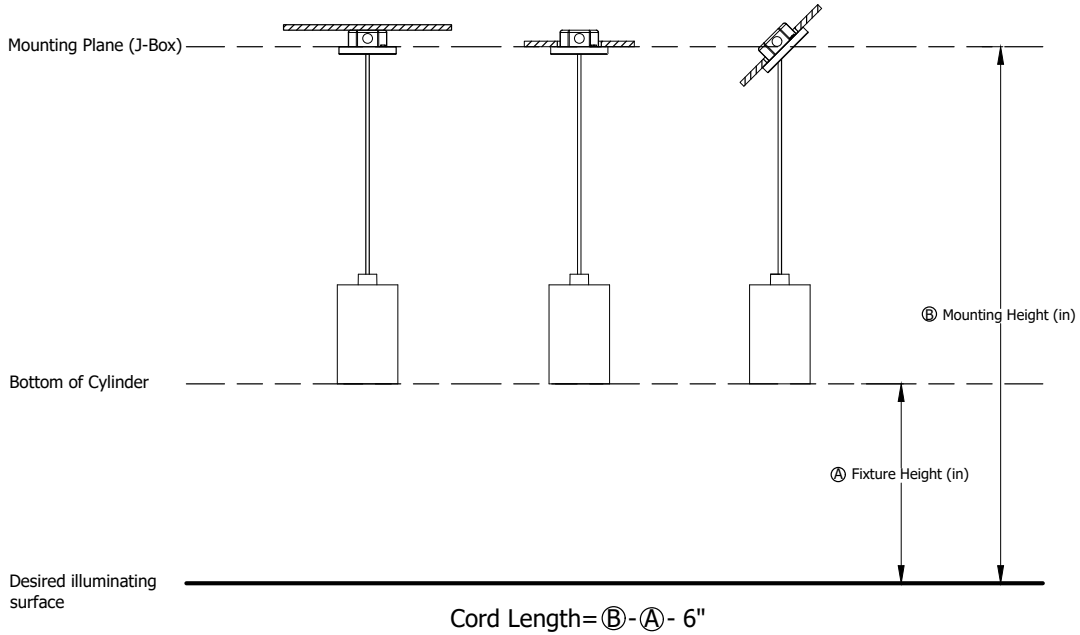
**10,000LM- 12,000LM JBXCC**



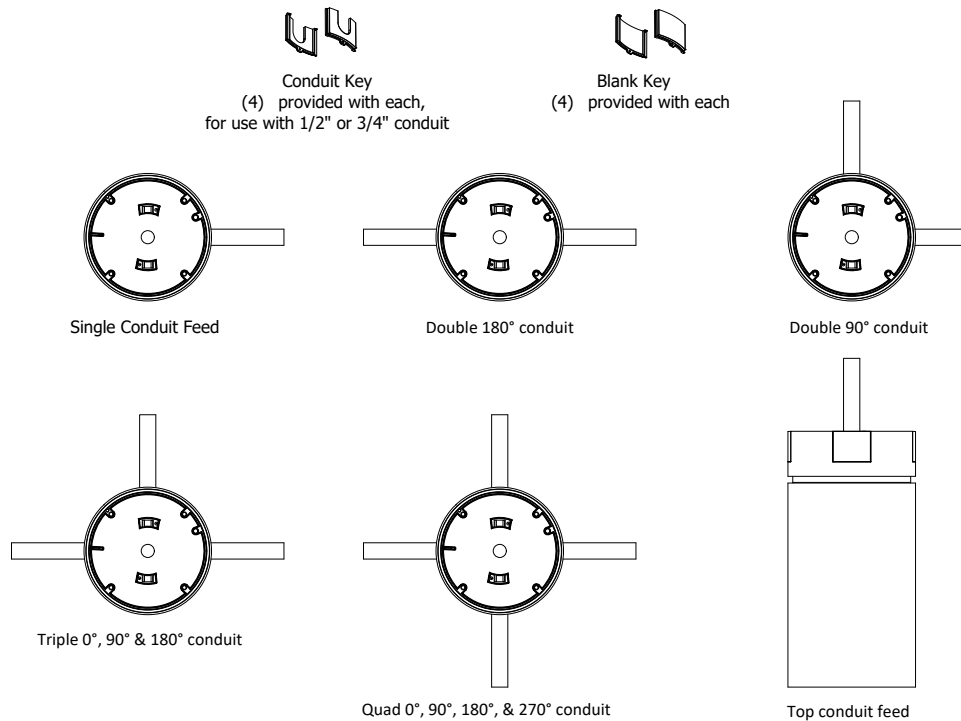
\*Dimensions in inches [centimeters]

DIMENSIONAL DATA

**Stem Cutting Formulas for JBX**



**Conduit Feed Examples and Keys**

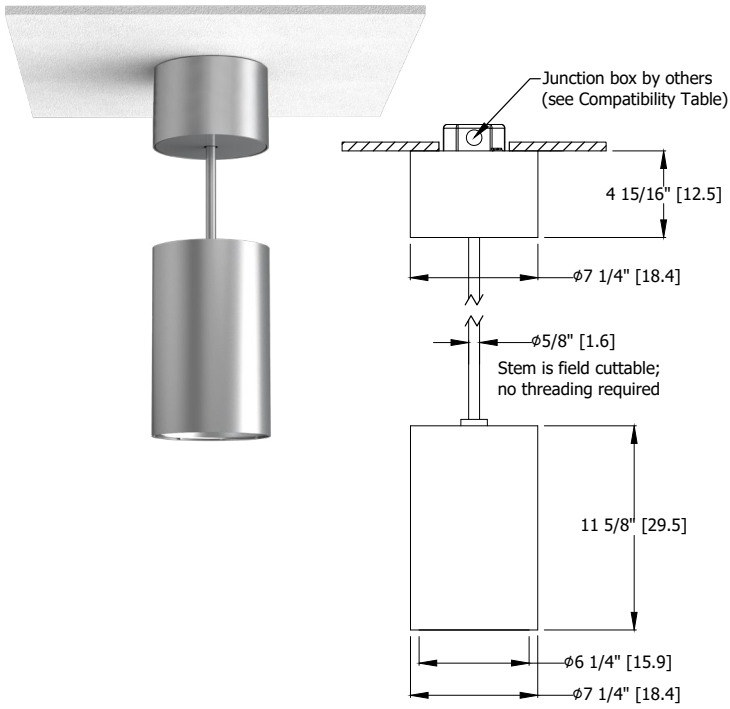


\*Dimensions in inches [centimeters]

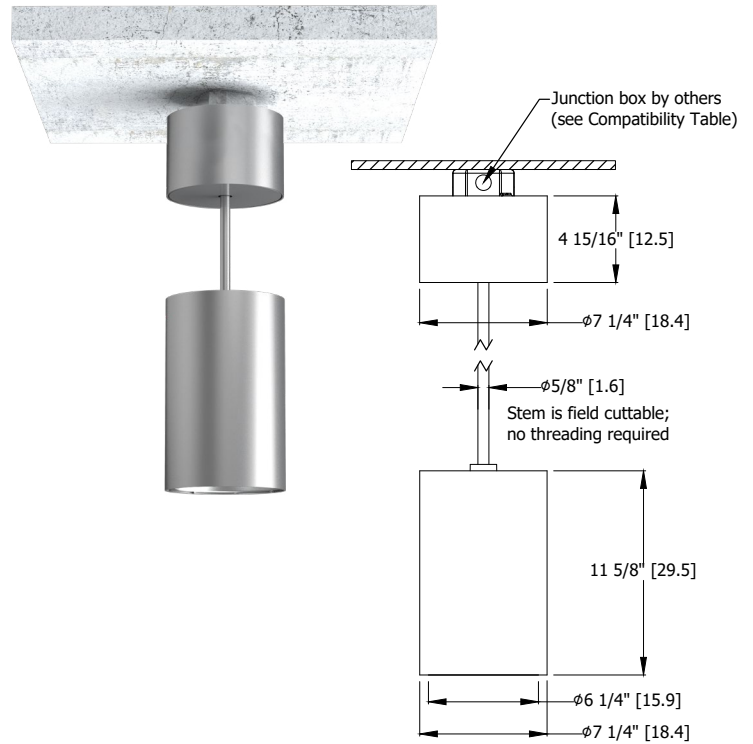


DIMENSIONAL DATA

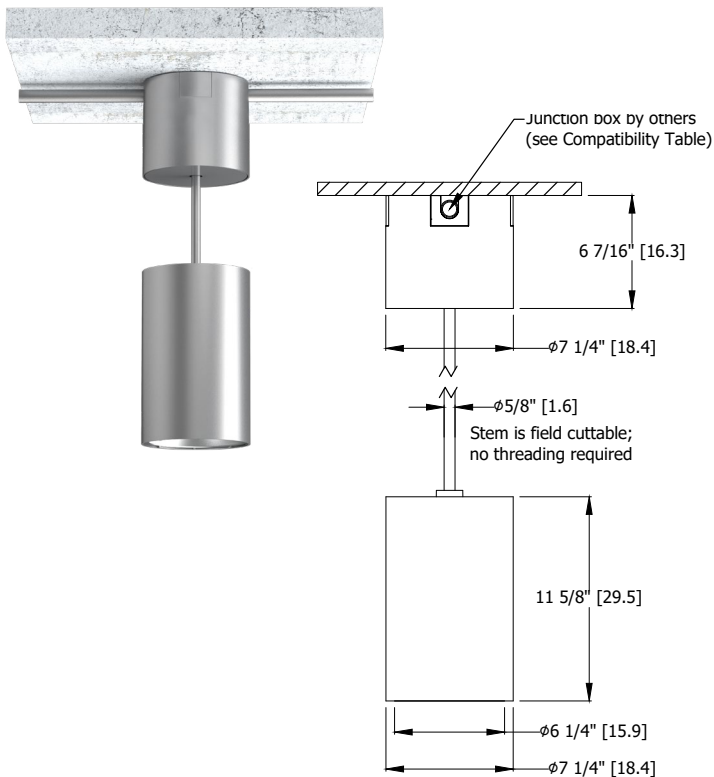
**SGB Surface Gear Box for EDXB recessed J-box**



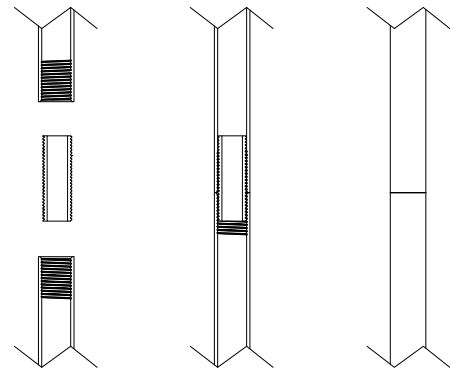
**SGB Surface Gear Box for EDXB surface J-box**



**SGBCC Surface Gear Box for EDXB with Conduit Covers**



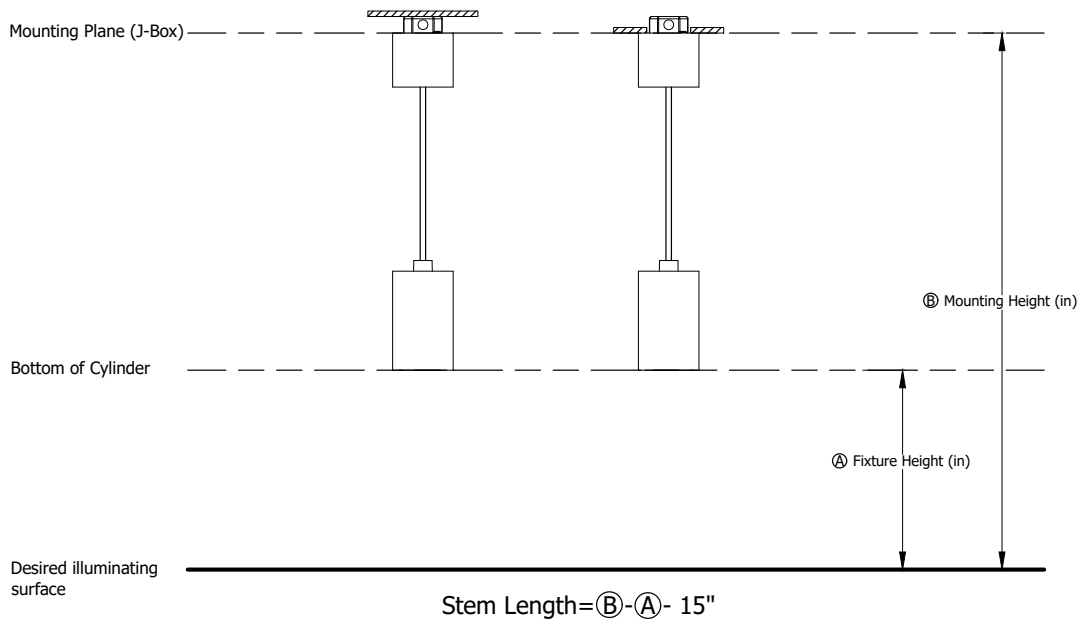
**Stem Connection Method**



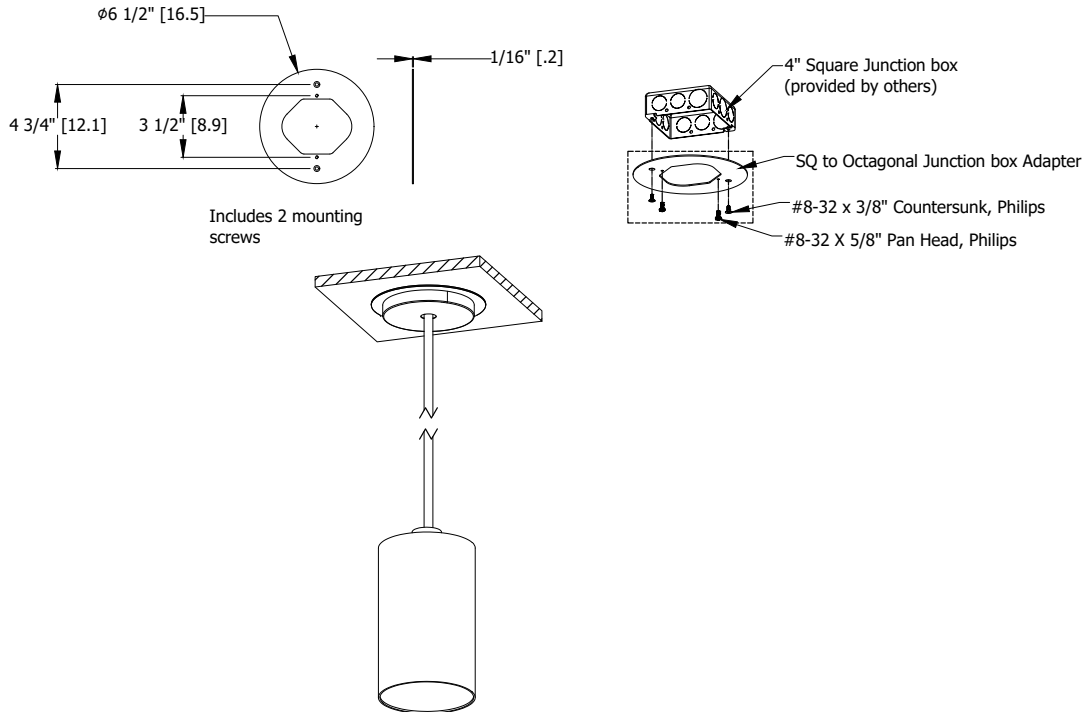
\*Dimensions in inches [centimeters]

DIMENSIONAL DATA

**Stem Cutting Formulas for SGB**



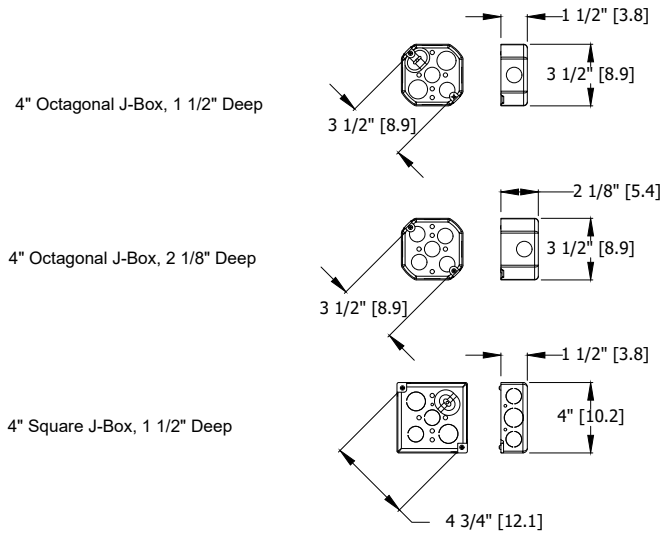
**Cylinder Adaptor Plate**



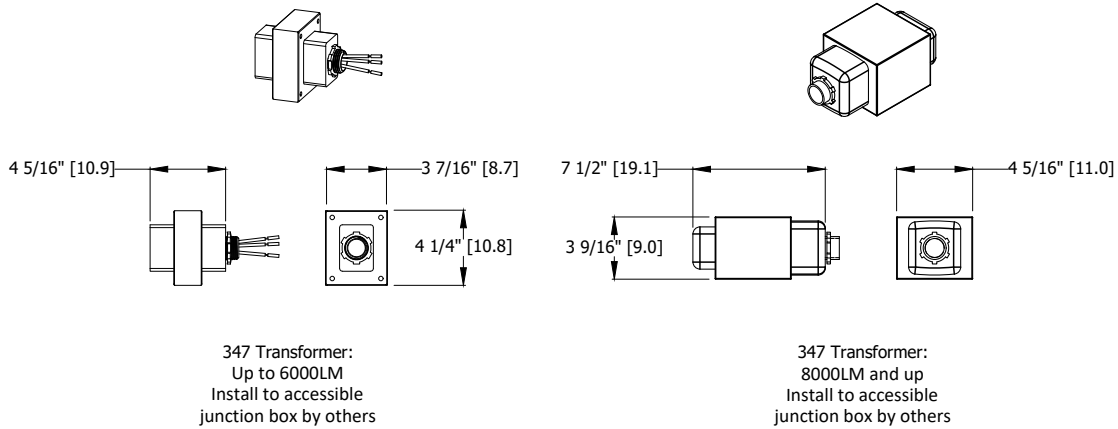
\*Dimensions in inches [centimeters]

DIMENSIONAL DATA

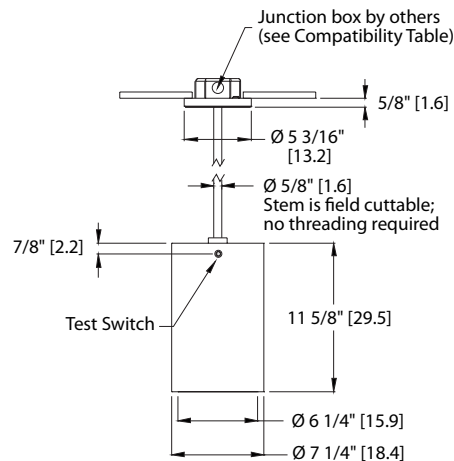
**Junction Box Dimensions (by others)**



**347V Stepdown Transformer**



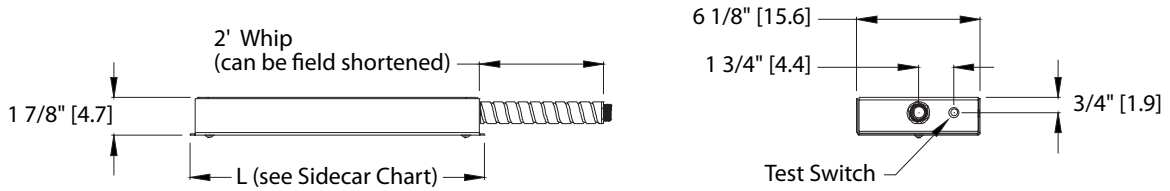
**E6W Integral Emergency Battery**



\*Dimensions in inches [centimeters]

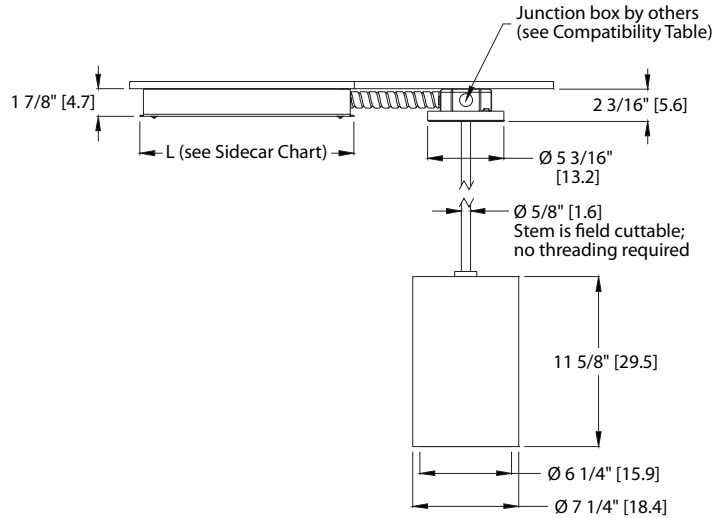
DIMENSIONAL DATA

**Emergency Battery Sidecar Dimensions**



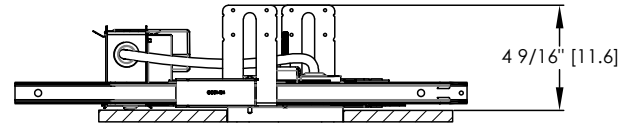
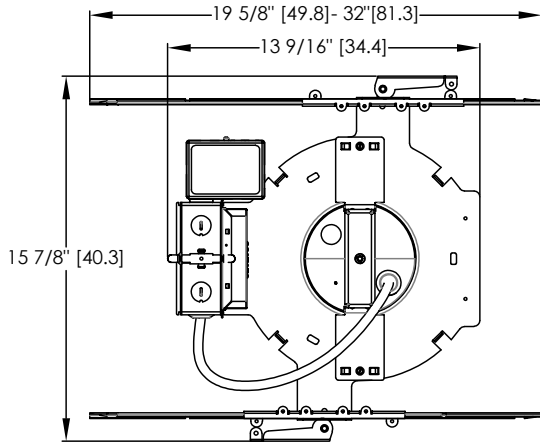
| SIDECAR BATTERY OPTION | LUMEN PACKAGES AVAILABLE                 | L (SIDECAR LENGTH) |
|------------------------|--|--------------------|
| E7WCP                  | 750LM AND GREATER EXCEPT AS NOTED BELOW  | 14"                |
|                        | 6000-8000LM                              | 16"                |
|                        | 5000-8000LM WITH ECOD DRIVER             |                    |
| E10WCP                 | 1000LM AND GREATER EXCEPT AS NOTED BELOW | 14"                |
|                        | 6000-8000LM                              | 16"                |
|                        | 5000-8000LM WITH ECOD DRIVER             |                    |
| E15WCP                 | 1500LM AND GREATER                       | 16"                |

**E7WCP/E10WCP/E15WCP Sidecar Emergency Battery**



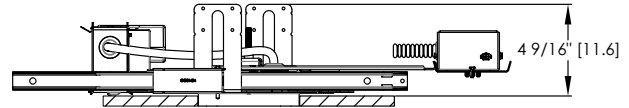
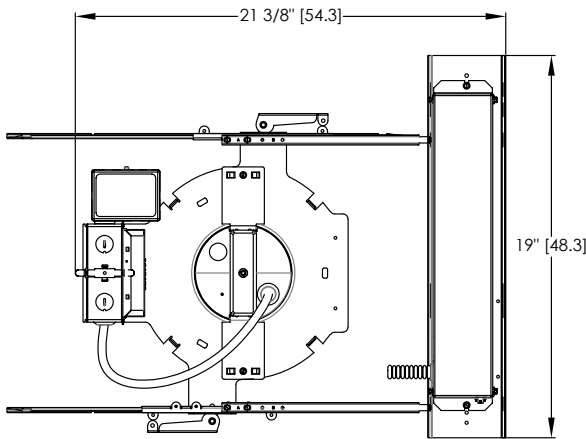
\*Dimensions in inches [centimeters]

**RGH 2500LM-5000LM and with EDXB up to 4500LM & ECOD up to 4000LM Standard**



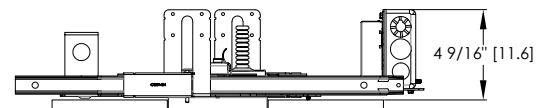
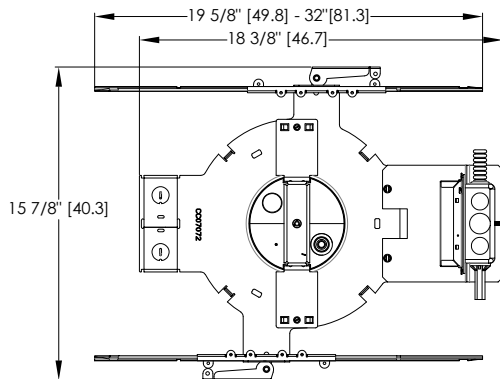
Ceiling thickness range: 1/2" [1.3] to 3" [7.6]  
Ceiling cutout: 5 1/16" [12.9]

**RGH with Battery Backup (E10WCPR) 2500LM-5000LM and with EDXB up to 4500LM & ECOD up to 4000LM Standard**



With Emergency Battery or GTD option  
Minimum plenum height for emergency batteries in non-accessible ceilings: 12 1/2" [31.8]  
Ceiling thickness range: 1/2" [1.3] to 3" [7.6]  
Ceiling cutout: 5 1/16" [12.9]

**RGH with CP 2500LM-5000LM and for use with EDXB up to 4500LM & ECOD up to 4000LM Standard**

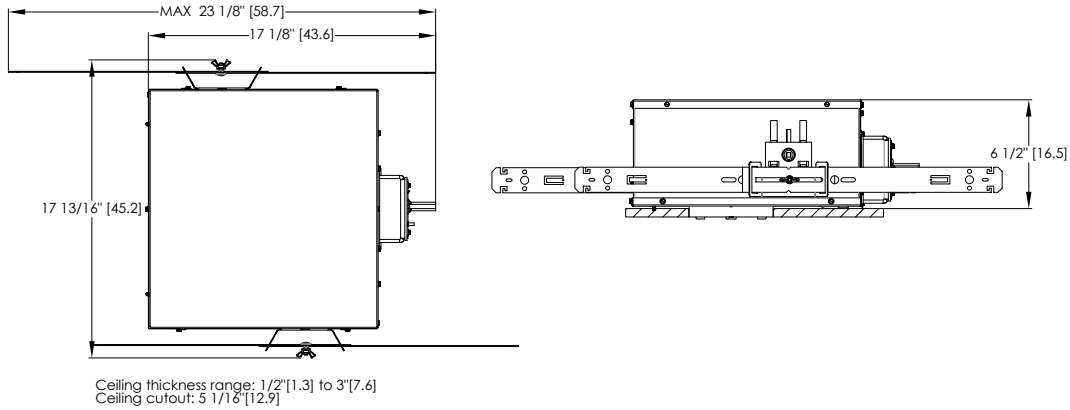


Ceiling thickness range: 1/2" [1.3] to 3" [7.6]  
Ceiling cutout: 5 1/16" [12.9]

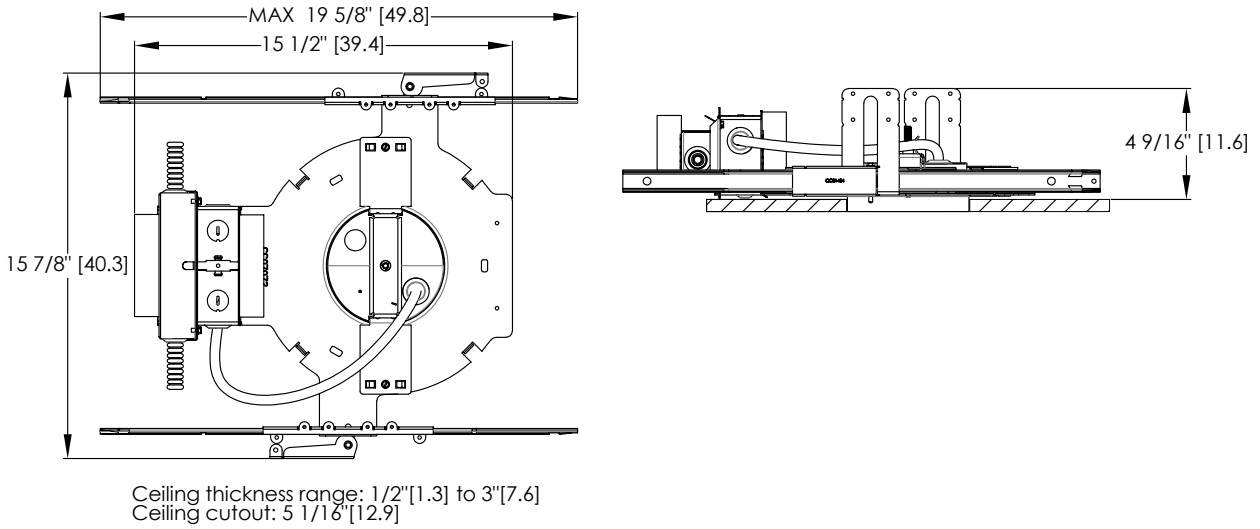
\*Dimensions in inches [centimeters]

DIMENSIONAL DATA

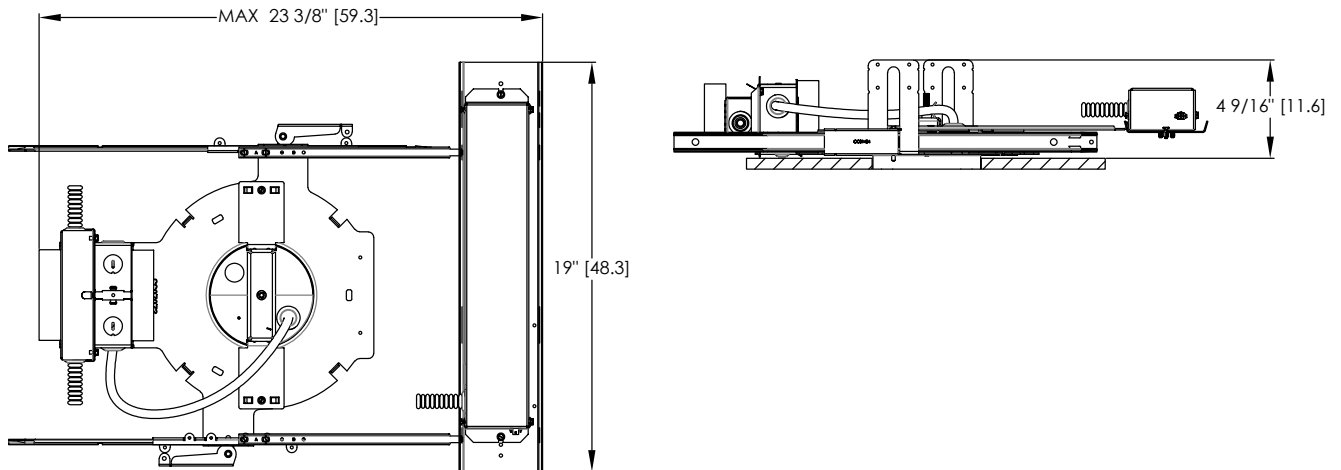
**RGH with Chicago Plenum (CP) for use with nLight Enclosed**



**RGH Double Driver 5000LM+ EDXB & ECOD, 6000LM & 8000LM Standard**



**RGH Double Driver with Battery Backup (E10WCPR or E10WCP) for use with 5000LM+ EDXB & ECOD, 6000LM & 8000LM Standard**



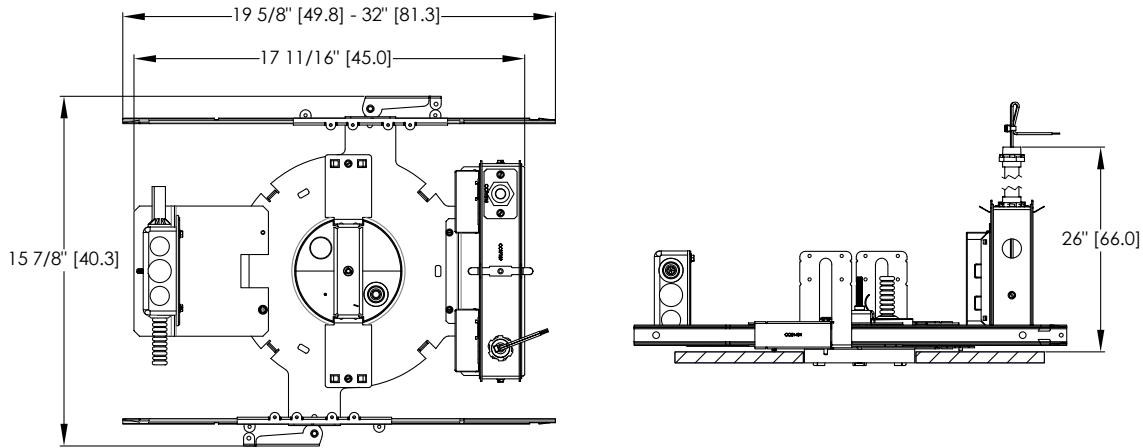
With Emergency Battery or GTD option

Minimum plenum height for emergency batteries in non-accessible ceilings: 12 1/2" [31.8]  
Ceiling thickness range: 1/2" [1.3] to 3" [7.6]  
Ceiling cutout: 5 1/16" [12.9]

\*Dimensions in inches [centimeters]

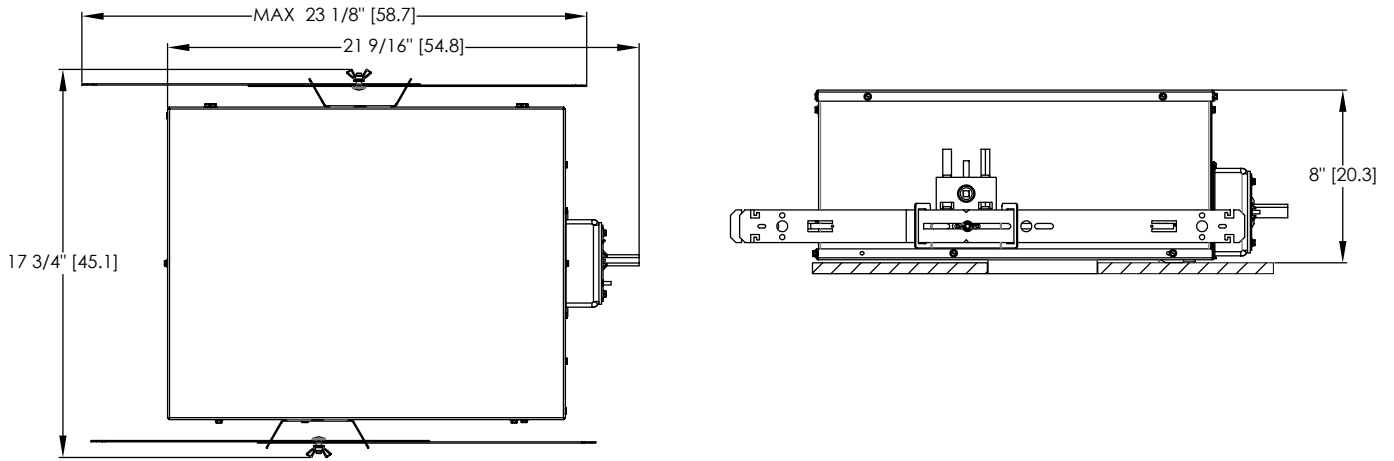
DIMENSIONAL DATA

**RGH Double Driver CP Standard**



Ceiling thickness range: 1/2" [1.3] to 3" [7.6]  
 Ceiling cutout: 5 1/16" [12.9]

**RGH Double Driver with CP for use with 5000LM+ EDXB & ECOD, 6000LM & 8000LM Enclosed**



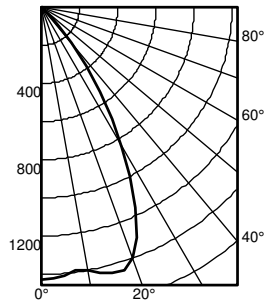
Ceiling thickness range: 1/2" [1.3] to 3" [7.6]  
 Ceiling cutout: 5 1/16" [12.9]

\*Dimensions in inches [centimeters]

Photometry

CONSULT [WWW.GOTHAMLIGHTING.COM](http://WWW.GOTHAMLIGHTING.COM) FOR ADDITIONAL PHOTOMETRY.

**EVO6PC 35/15 AR MWD LS INPUT WATTS: 14.7, DELIVERED LUMENS: 1471LM, LPW= 100, 1.03 S/MH, TEST NO. LTL27783P**

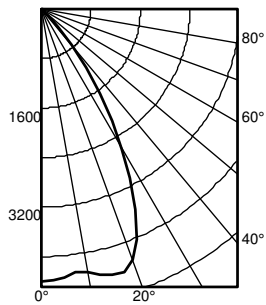


| Ave | Lumens | Zone       | Lumens | % Lamp      |
|-----|--------|------------|--------|-------------|
| 0   | 1431   | 0° - 30°   | 1061.4 | 72.2        |
| 5   | 1410   | 0° - 40°   | 1393.5 | 94.7        |
| 15  | 1442   | 0° - 60°   | 1469.5 | 99.9        |
| 25  | 1161   | 0° - 90°   | 1470.9 | 100.0       |
| 35  | 540    | 90° - 180° | 0.0    | 0.0         |
| 45  | 78     | 0° - 180°  | 1470.9 | *100.0      |
| 55  | 3      |            |        | *Efficiency |
| 65  | 1      |            |        |             |
| 75  | 0      |            |        |             |
| 85  | 0      |            |        |             |
| 90  | 0      |            |        |             |

| Mounting Height | Initial FC  |          |      |          |     |
|-----------------|-------------|----------|------|----------|-----|
|                 | Center Beam | Diameter | FC   | Diameter | FC  |
| 8.0             | 47.3        | 5.7      | 23.7 | 8.9      | 4.7 |
| 10.0            | 25.4        | 7.7      | 12.7 | 12.1     | 2.5 |
| 12.0            | 15.9        | 9.8      | 7.9  | 15.3     | 1.6 |
| 14.0            | 10.8        | 11.8     | 5.4  | 18.6     | 1.1 |
| 16.0            | 7.9         | 13.9     | 3.9  | 21.8     | 0.8 |

50% beam - 54.4°  
10% beam - 77.9°

**EVO6PC 35/45 AR MWD LS INPUT WATTS: 47.3, DELIVERED LUMENS: 4532.7LM, LPW= 95.8, 1.03 S/MH, TEST NO. LTL27783P**



| Ave | Lumens | Zone       | Lumens | % Lamp      |
|-----|--------|------------|--------|-------------|
| 0   | 4411   | 0° - 30°   | 3270.7 | 72.2        |
| 5   | 4346   | 0° - 40°   | 4294.2 | 94.7        |
| 15  | 4443   | 0° - 60°   | 4528.3 | 99.9        |
| 25  | 3578   | 0° - 90°   | 4532.7 | 100.0       |
| 35  | 1665   | 90° - 180° | 0.0    | 0.0         |
| 45  | 242    | 0° - 180°  | 4532.7 | *100.0      |
| 55  | 8      |            |        | *Efficiency |
| 65  | 2      |            |        |             |
| 75  | 1      |            |        |             |
| 85  | 0      |            |        |             |
| 90  | 0      |            |        |             |

| Mounting Height | Initial FC  |          |      |          |      |
|-----------------|-------------|----------|------|----------|------|
|                 | Center Beam | Diameter | FC   | Diameter | FC   |
| 8.0             | 145.8       | 5.7      | 72.9 | 8.9      | 14.6 |
| 10.0            | 78.4        | 7.7      | 39.2 | 12.1     | 7.8  |
| 12.0            | 48.9        | 9.8      | 24.4 | 15.3     | 4.9  |
| 14.0            | 33.4        | 11.8     | 16.7 | 18.6     | 3.3  |
| 16.0            | 24.2        | 13.9     | 12.1 | 21.8     | 2.4  |

50% beam - 54.4°  
10% beam - 77.9°

| Lumen Output Multiplier |       |            |
|-------------------------|-------|------------|
| CRI                     | CCT   | Multiplier |
| 80                      | 2700K | 0.916      |
|                         | 3000K | 0.948      |
|                         | 3500K | 1          |
|                         | 4000K | 1.032      |
|                         | 5000K | 1.1        |
| 90                      | 2700K | 0.748      |
|                         | 3000K | 0.8        |
|                         | 3500K | 0.838      |
|                         | 4000K | 0.845      |
|                         | 5000K | 0.945      |

| Reflector Finish Multiplier |            |
|-----------------------------|------------|
| Reflector Finish            | Multiplier |
| LS - Specular               | 1          |
| LSS - Semi Specular         | 0.956      |
| WR - White                  | 0.87       |
| LD - Matte Diffuse          | 0.85       |
| BR - Black                  | 0.73       |
| BZR - Bronze                | 0.73       |

| Distributions |            |             |
|---------------|------------|-------------|
| Nomenclature  | Beam Angle | Field Angle |
| VND           | 30         | 64          |
| ND            | 44         | 69          |
| MD            | 54         | 82          |
| MWD           | 67         | 89          |
| WD            | 71         | 92          |



nLIGHT AIR

nLight® AIR is the ideal solution for retrofit or new construction spaces where adding communication wiring is cost prohibitive. The integrated nLight AIR rPP20 Power Pack is part of each EVO Luminaire ordered with the NLTAIR option. These individually addressable controls offer the ultimate in flexibility during initial setup and for space repurposing.

| nLight® AIR Control Accessories  |                        |
|--|------------------------|
| <i>Order as separate catalog number. Visit <a href="#">nLight AIR</a>.</i> |                        |
| Wall Switches  | Model Number           |
| On/Off single pole   | rPODB (color) G2       |
| On/Off two pole  | rPODB 2P (color) G2    |
| On/Off & raise/lower single pole   | rPODB DX (color) G2    |
| On/Off & raise/lower two pole  | rPODB 2P DX (color) G2 |

| nLight® AIR Control Accessories (cont.) |                       |
|---|-----------------------|
| Occupancy Sensors (PIR/dual tech)       | Model Number          |
| Small motion 360°, ceiling              | rCMS 9 / rCMS PDT 9   |
| Large motion 360°, ceiling              | rCMS 10 / rCMS PDT 10 |

**UL924 Sequence of Operation**

The below information applies to all nLight AIR devices with an EM option.

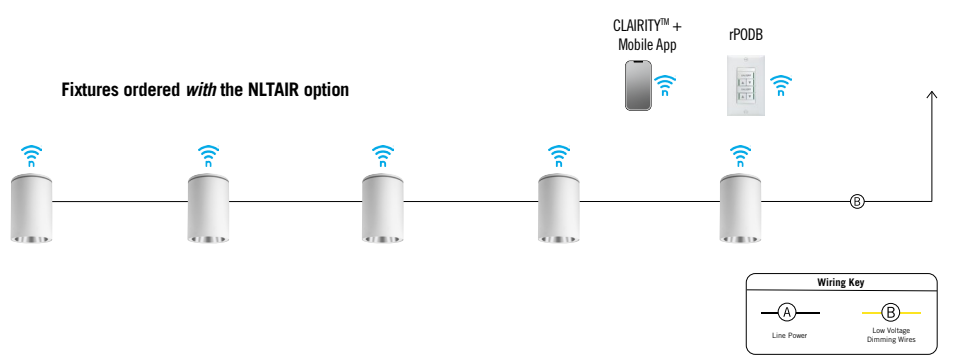
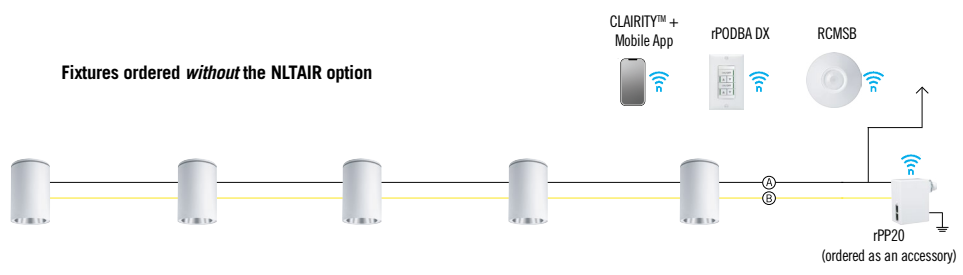
- EM devices will remain at their high-end trim and ignore wireless lighting control commands, unless a normal-power-sensed (NPS) broadcast is received at least every 8 seconds.
- Using the CLAIRITY+ mobile app, EM devices must be associated with a group that includes a normal power sensing device to receive NPS broadcasts.
- Only non-emergency rPP20, rLSXR, rSBOR, rSDGR, and nLight AIR luminaires with version 3.4 or later firmware can provide normal power sensing for EM devices. See specification sheets for control devices and luminaires for more information on options that support normal power sensing.

**nLight® Wired** The nLight® solution is a digital networked lighting control system that provides both energy savings and increased user configurability by cost effectively integrating time-based, daylight-based, sensor-based and manual lighting control schemes.

| nLight® Wired Control Accessories                                      |                     |
|--|---------------------|
| <i>Order as separate catalog number. Visit <a href="#">nLight</a>.</i> |                     |
| Wall Switches  | Model Number        |
| On/Off single pole   | nPODM (color)       |
| On/Off two pole  | nPODM 2P (color)    |
| On/Off & raise/lower single pole                                       | nPOD DX (color)     |
| On/Off & raise/lower two pole  | nPODM 2P DX (color) |
| Graphic touchscreen  | nPOD GFX (color)    |
| Photocell Controls   |                     |
| Dimming  | nCM ADCX            |

| nLight® Wired Control Accessories (cont.) |                             |
|---|-----------------------------|
| Occupancy Sensors (PIR/dual tech)         | Model Number                |
| Small motion 360°, ceiling                | nCM 9 / nCM PDT 9           |
| Large motion 360°, ceiling                | nCM 10 / nCM PDT 10         |
| Wide View                                 | nWV 16 / nWV PDT 16         |
| Wall switch with raise/lower              | nWSX LV DX / nWSX PDT LV DX |
| Cat-5 Cables (plenum rated)               |                             |
| 10', CAT5                                 | CAT5 10FT J1                |
| 15', CAT5                                 | CAT5 15FT J1                |

**Possibilities for nLight® AIR**



**Possibilities for nLight® wired**

