

Project		Catalog #		Type	
Prepared by		Notes		Date	



HALO

H35RICAT

3" Shallow Recessed Remodeler Housing
For Integrated LED Trims and Modules

Typical Applications
Residential

Interactive Menu

- Order Information page 2
- Product Warranty

Product Certification



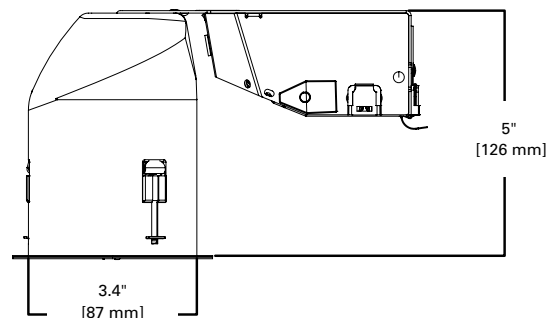
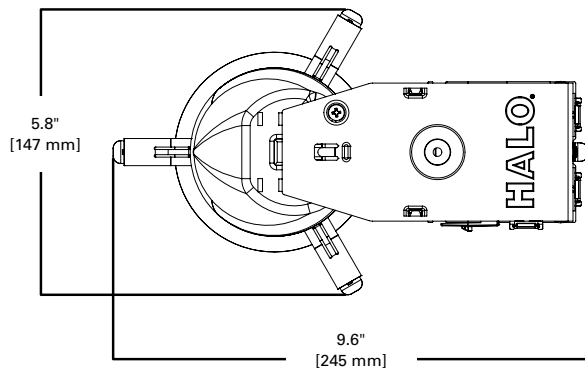
Product Features



Top Product Features

- Suitable for 2x6 residential framing or shallow plenum commercial construction
- Remodel housing design installs from below the finished ceiling
- Captive preinstalled mounting springs retain housing securely in ceiling
- AIR-TITE™; For use in insulated and non-insulated ceilings
- Use with compatible HALO® LED integrated trims and modules

Dimensional and Mounting Details



Order Information

SAMPLE ORDER NUMBER: **H35RICAT, RL3059FS1EWHR**

A complete luminaire consists of a housing and LED module, order separately.

Housing	Compatible LED Modules
H35RICAT = 3" shallow remodeler housing for LED integrated trims or modules	RL3 = 3-Inch all-purpose retrofit LED module RA3 = 3-Inch directional retrofit LED module

Product Specifications

Housing

- Die formed aluminum housing can be installed from below the ceiling and accommodate ceilings from 3/8" – 3/4" thick.
- Shipped with paint overspray protector installed

Mounting Springs

- Captive preinstalled mounting springs retain housing securely in ceiling.
- Housing can be removed for service or splice inspection

Gasket

- Closed cell gaskets achieve restrictive airflow requirements without additional caulking

Junction Box

- (3) 1/2" trade size pry outs and (2) Slide-N-Side™ wire traps for nonmetallic cable.
- Accepts 14/2, 14/3, 12/2, 12/3 (US) and 14/2, 14/3, 12/2 (Canada) standard non-metallic sheathed cable.
- Maximum of (6) #12 or (8) #14 conductors rated for 90° C permitted in box (10in3 internal volume).
- Wago® push wire connectors for field connections

Connector

- Two-conductor wire mount connector mates with RL3, RA3 family of LED integrated trims.
- **CAUTION:** verify LED module input voltage is compatible with the input voltage of the housing. If uncertain, consult a qualified electrician

Code Compliance

- Type IC inherently protected, suitable for direct contact to air permeable insulation and cULus listed for damp locations.
- Not for use in direct contact with spray foam insulation, consult NEMA LSD57-2013.
- Wet location listed in covered ceilings and IP44 certified with select lens trims.
- Airtight per ASTM-E283.
- Can be used for State of California Title 24 high efficacy luminaire compliance with designated integrated LED trims.
- Suitable for use in clothes closets when installed in accordance with the NEC 410.16 spacing requirements

Warranty

- Five-year limited warranty, consult website for details www.cooperlighting.com