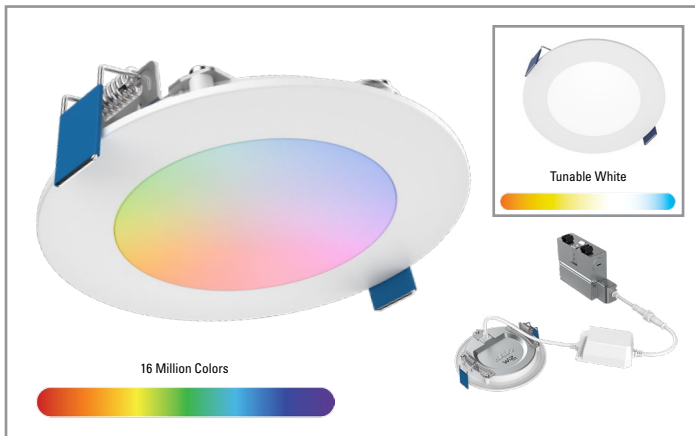


Project		Catalog #		Type	
Prepared by		Notes		Date	



## HALO | WiZ PRO

### HLB 4 | Smart Wi-Fi® Slim Canless LED Downlight

4-inch full color & tunable white LED slim canless downlight with WiZ Pro smart control

#### Typical Applications

Residential

#### Interactive Menu

- Order Information [page 3](#)
- Product Warranty [page 3](#)
- Product Specifications [page 3](#)
- Photometric Data [page 4](#)
- Energy & Performance Data [page 4](#)

#### Top Product Features

- Smart Wi-Fi downlight with white tuning (2200K - 6500K) + 16 million of colors + wireless dimming via the WIZ App
- Configure and control lighting quickly over Wi-Fi with the WIZ App
- Professional Installers can use the WiZ Pro Setup App to manage multiple projects, pair over Bluetooth, and access advanced features in the WiZ Pro Dashboard
- Canless fixture installs from below the ceiling (no recessed housing or junction box required)
- Optional mounting frames available for new construction application
- ENERGY STAR® compliant | Wet & Damp location listed | UL Certified | CA Title-24 high efficacy compliant
- Delivers **600** lumens per LED fixture; achieves L70 at 50,000 hours in IC and non-IC applications; 90CRI (min); R9 50 & color accuracy within 4SDCM)

#### Product Certification

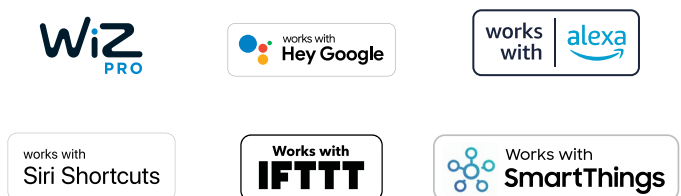


Refer to ENERGY STAR® Certified Products List.  
Can be used to comply with California Title 24 High Efficacy requirements.  
Certified to California Appliance Efficiency Database under JAB.

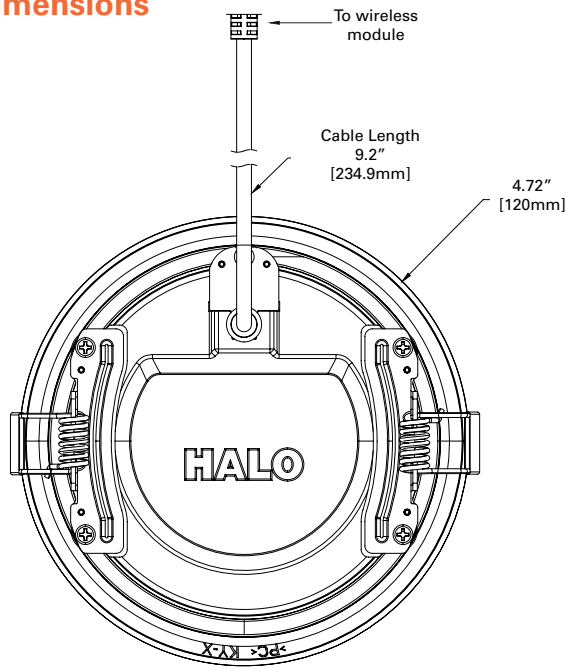
#### Product Features



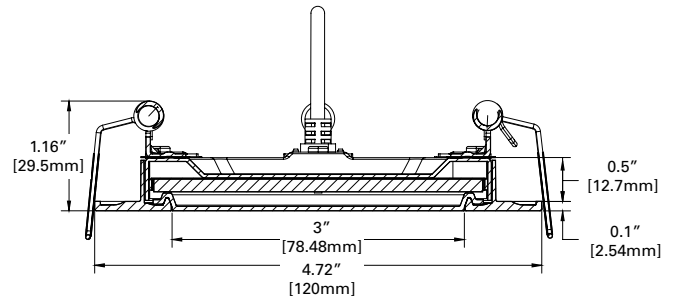
#### Product Integrations



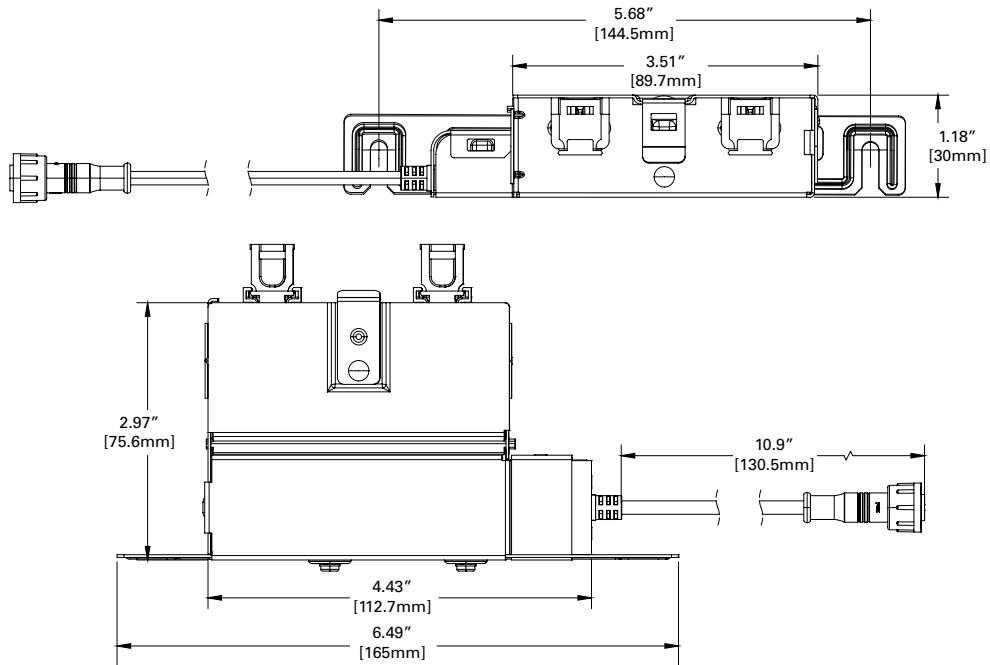
**Dimensions**



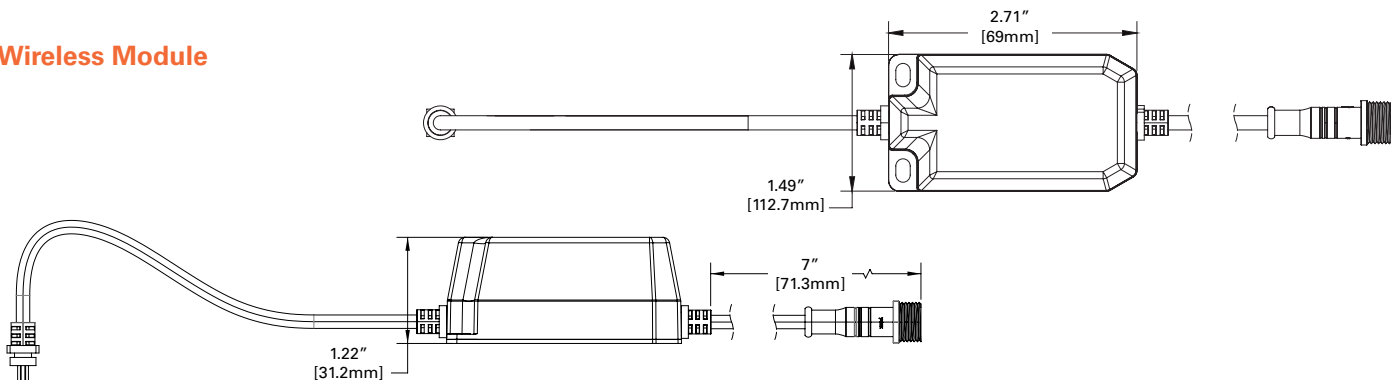
Hole Saw Sizing	Min	Max
HLB 4"	4" (101.6mm)	4 - 1/4" (114.4mm)



**Junction Box**



**Wireless Module**



**Order Information**

Catalog Numbers	Models	Lumens	CRI/CCT	Driver	Finish	Packaging	Optional
<b>HLB4069WZRGBWMWR</b> <b>HLB4069WZRGBWMWR-C</b>	<b>HLB4</b> = 4" Smart Wi-Fi Slim Canless LED Downlight	<b>06</b> = 600 lumens (nominal)	<b>9WZ</b> = 90 CRI minimum, WIZ PRO-enabled (Wi-Fi + Bluetooth)	<b>RGBW</b> = Full Color (16 million colors) + Tunable White (2200K to 6500K) via WIZ App	<b>MW</b> = Matte white trim	<b>R</b> = Recyclable	<b>-C</b> = Canadian Packaging
<b>Notes</b>	<b>Notes</b>	<b>Notes</b>	<b>Notes</b>	<b>Notes</b>	<b>Notes</b>	<b>Notes</b>	<b>Notes</b>

**Accessories**

Accessories

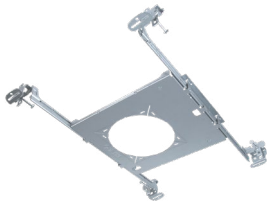
**Designer Trims**

**HLB4RTRMMW** = 4" Round Paintable Matte White Overlay  
**HLB4RTRMMB** = 4" Round Matte Black Overlay  
**HLB4RTRMSN** = 4" Round Satin Nickel Overlay  
**HLB4RTRMTBZ** = 4" Round Tuscan Bronze Overlay



**New Construction Mounting Frame**

**HL4RSMF** = 4" new construction mounting frame  
 Attach remote junction box to the mounting plate with included thumbscrews for electrical rough in. Hanger bars hold the fixture position during drywalling.



**Oversized Trim Ring**

**HLB4ROTMMW** = Round Matte White Oversized Trim Ring  
 Use with 4" HLBs to cover oversized holes. Clicks together and matches the fixture's thickness to create a cohesive look. Outside Diameter = 6.88" (174.8cm)



**Extension Cables**

Plenum-rated cable for extending connection between the remote junction box and LED fixture – simply plug in and twist the barrel connectors.

**HLB06EC** = 6 ft. extension cable  
**HLB12EC** = 12 ft. extension cable  
**HLB20EC** = 20 ft. extension cable



## Product Specifications

### Wireless System

- HALO with WiZ PRO products can be claimed using either the WiZ App or WiZ PRO Setup App.
- Compatible with all WiZ-enabled products.
- Max Devices/Account: 200

### WiZ App Setup & Control

- HALO with WiZ PRO products can be controlled directly within the WiZ App.
- The WiZ App allows for control of lighting from home or away via Wi-Fi.
- Wirelessly control on/off, white tuning (2200K to 6500K), full color, and dimming (100% to 5%) using the WiZ App
- Android or Apple iOS compatible with most smartphones and tablets
- Setup Groups, Scenes, Schedules, and Rhythms to automate lighting.
- Integrates with Amazon Alexa, Hey Google, Siri Shortcuts, IFTTT, and SmartThings

### WiZ PRO Control

- HALO with WiZ PRO also has claiming and account management features designed for the professional installer.
- Professional Installers can use the WiZ Pro Setup App to claim products quickly using pre-Wi-Fi commissioning and manage multiple jobsites including transferring account ownership.
- The WiZ Pro Dashboard gives professional installers:
  - A clear overview to monitor lighting over a mapped location
  - Full range of configurations and remote control
  - Comprehensive reporting on device status & energy usage
- Learn more about WiZ PRO features and functionality at [pro.wizconnected.com](http://pro.wizconnected.com)

### WiZ Support

- HALO has partnered with WiZ as a third-party smart home system. All associated information and support for WiZ can be accessed via the **WiZ App, WiZ PRO Setup App, WiZ PRO Dashboard** or at [wizconnected.com](http://wizconnected.com).

### Control & Dimming

- These fixtures can be used with standard ON/OFF switches. (Do not use with any dimmers.)
- The **WiZ Click Feature** is a secondary control option, which uses your main light switch: toggle the switch on once to activate **Favorite Mode 1**, toggle twice for **Favorite Mode 2**.
- Wireless flicker-free dimming from 100%-5% via the WiZ App
- Only compatible with other WiZ-enabled products (Not compatible with HALO Home or any other controls.)

### Power Cycle Behavior

- Unpaired WiZ fixtures will operate like a standard fixture until claimed into an account (2700K)
- **IMPORTANT:** If fixtures are hardwired with constant power or a user plans to always control them wirelessly instead of with a standard ON/OFF switch, use the Power Outage Recovery setting to prevent devices from turning back ON after a power outage.

### Fixture and Optics

- Plastic mounting frame with integral flange provides passive thermal cooling achieving L70 at 50,000 hours in IC and non-IC applications
- Smooth diffuse impact-resistant polycarbonate lens for even illumination
- Precision acrylic light guide organizes source flux into wide distribution with 1.28 spacing criteria, useful for general area illumination

### LED Array

- Delivers 600 lumens
- Mid power LED array provides a uniform source with high efficiency and no pixilation.
- 90 CRI minimum, R9 greater than 50
- 4 SDCM at 2700K and 7 SDCM up to 6500K
- Full color RGB LEDs also included to delivery 16 million color options
- 50K hour life: achieves L70 at 50,000 hours in IC and non-IC applications
- Meets ENERGY STAR® color angular uniformity requirements, deviation is less than 0.006

### Designer Trims (sold separately)

- Designer trims are decorative overlays that attach to the fixture for a permanent finish and are available in:
  - Matte Black
  - Paintable Matte White
  - Satin Nickel
  - Tuscan Bronze

*Refer to the Accessories section above for more details*

- The HALO HLB Oversized Trim Ring interlocks with the fixture's flange for a continuous flange height. OT Rings can be used to conceal larger openings caused by miscuts or fixture replacements

### Gasket

- Closed cell gasket achieves restrictive airflow requirements without additional caulking

### Remote Driver

- Die formed metal driver / junction box with captive-hinged junction box cover
- Listed for (6) #12 AWG 90° C splice conductors, 2-in, 2-out plus (2) ground
- (4) - 1/2" conduit pry-outs
- Accepts 14-2, 14-3, 12-2, 12-3 U.S. and 14-2, 14-3, 12-2 Canadian NM cable
- (3) - 4-port push wire nuts for quick and reliable mains voltage connections
- Mounting holes facilitate direct mounting to building structure with included bracket or to a mounting frame (sold separately)

### Driver

- Integral 120V 60 Hz constant current driver provides noise free operation
- Continuous flicker-free wireless flicker-free dimming down from 100%-5%
- Plenum rated inline electrical quick connect provides low voltage connection to fixture fitting, CMP/FT6 rated

### Installation

- Can be installed in 3/8" to 1-1/4" (9.52mm - 31.75mm) thick ceilings
- Cutout utilizes standard round hole saw sizes (see cutout chart below); cutout template provided

Hole Saw Sizing	Min	Max
HLB 4"	4" (101.6mm)	4 - 1/4" (114.4mm)

- Heat treated springs hold fixture fitting securely in the ceiling eliminating light leak
- Fixture is less than 1/2" thick and can span a 1-1/2" nominal framing member
- Can be removed from below the ceiling for service or replacement

### Mounting Frame

*Sold separately for New Construction*

- Pre-galvanized steel mounting frame locates fixture fittings during electrical rough-in and provides cutout guidance for drywall contractor
- Provides attachment points and thumbscrews for remote driver/junction box

### Compliance

- cULus Certified type IC suitable for direct contact with air permeable insulation
- Not recommended for use in direct contact with spray foam insulation (reference NEMA LSD57-2013)
- Wet and Damp location listed and IP44 ingress protection
- Airtight per ASTM-E283-04
- Suitable for use in clothes closets when installed in accordance with the NEC 410.16 spacing requirements
- EMI/RFI emissions per FCC 47CFR Part 15 consumer limits
- Contains no mercury or lead and RoHS compliant
- Photometric testing in accordance with IES LM-79-08
- Lumen maintenance projections in accordance with IES LM-80-08 and TM-21-11
- State of California Title 24 high efficacy
- LED compliance under JA8, reference Modernized Appliance Efficiency Database System (MAEDBS) for 2022 JA8 High Efficacy Lighting
- ENERGY STAR® listed, reference database for current listings
- Can be used for International Energy Conservation Code (IECC) high efficiency luminaire compliance.
- FCC ID - 2AC7Z-ESP32SOLO1
- IC CODE - 21098-ESP32SOLO1

### Warranty

- Five year limited warranty, consult website for details. [cooperlighting.com/warranty](http://cooperlighting.com/warranty)

**Photometric Data**

**HLB4069WZRGBWMWR (2700K)**  
 Spacing criterion: (0-180) 1.21  
 (90-270) 1.21  
 (Diagonal) 1.3

Beam Angle: 108°  
 Field Angle: 160°  
 Lumens: 600  
 Input Watts: 9 W  
 Efficacy: 66.7 LPW  
 Test Report:  
 HLB4069WZRGBWMWR-2700K.ies

0-deg 45-deg 90-deg

Zonal Lumen	Lumens	% Lumens
0-30	170	28.3
0-40	276	46
0-60	480	80
0-90	600	100
90-180	0	0
0-180	600	100

<b>TM-30-15</b>	Rf = 91
	Rg = 101
<b>CRI/CIE</b>	Ra = 93
	R9 = 74

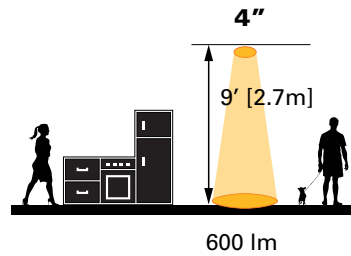
CCT - Range of 2200K- 6500K

93°

**Energy and Performance Data**

HLB4069WZRGBWMWR	
Lumens	600 @ 2700K
Input Voltage	120V
Input Frequency	60 Hz
Input Power	9.4W
Input Current	0.082A
Power Factor	>0.90
THD	<20%
EMI/RFI	FCC Title 47 CFR, Part 15, Class B (Consumer)
Sound Rating	Class A
Minimum Starting Temp	-30°C (-22°F)

**Scale**



Tested in accordance with IES LM63. Field results may vary.

Note: Refer to IES files for more product data.