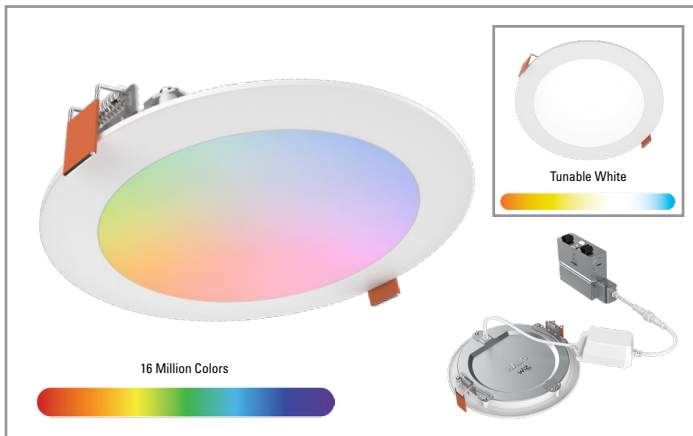


Project		Catalog #		Type	
Prepared by		Notes		Date	



HALO | WiZ PRO

HLB 6 | Smart Wi-Fi® Slim Canless LED Downlight

6-inch full color & tunable white LED slim canless downlight with WiZ Pro smart control

Typical Applications

Residential

Interactive Menu

- Order Information [page 3](#)
- Product Warranty [page 3](#)
- Product Specifications [page 3](#)
- Photometric Data [page 4](#)
- Energy & Performance Data [page 4](#)

Top Product Features

- Smart Wi-Fi downlight with white tuning (2200K - 6500K) + 16 million of colors + wireless dimming via the WiZ App
- Configure and control lighting quickly over Wi-Fi with the WiZ App
- Professional Installers can use the WiZ Pro Setup App to manage multiple projects, pair over Bluetooth, and access advanced features in the WiZ Pro Dashboard
- Canless fixture installs from below the ceiling (no recessed housing or junction box required)
- Optional mounting frames available for new construction application
- ENERGY STAR® compliant | Wet & Damp location listed | UL Certified | CATitle-24 high efficacy compliant
- Delivers **900** lumens per LED fixture; achieves L70 at 50,000 hours in IC and non-IC applications; 90CRI (min); R9 50 & color accuracy within 4SDCM)

Product Certification

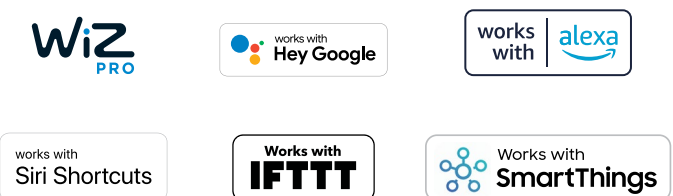


Refer to ENERGY STAR® Certified Products List.
Can be used to comply with California Title 24 High Efficacy requirements.
Certified to California Appliance Efficiency Database under JAB.

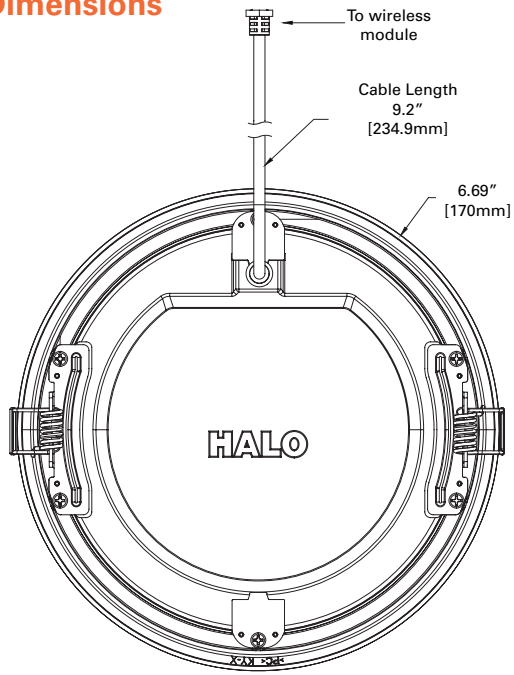
Product Features



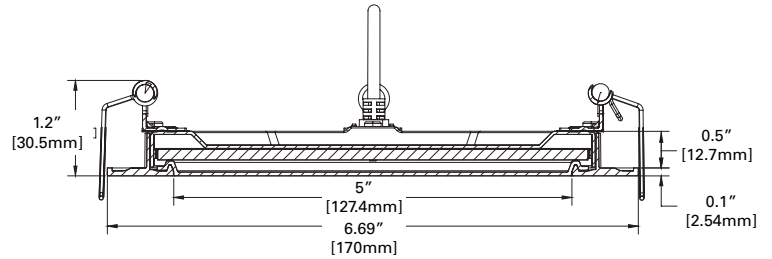
Product Integrations



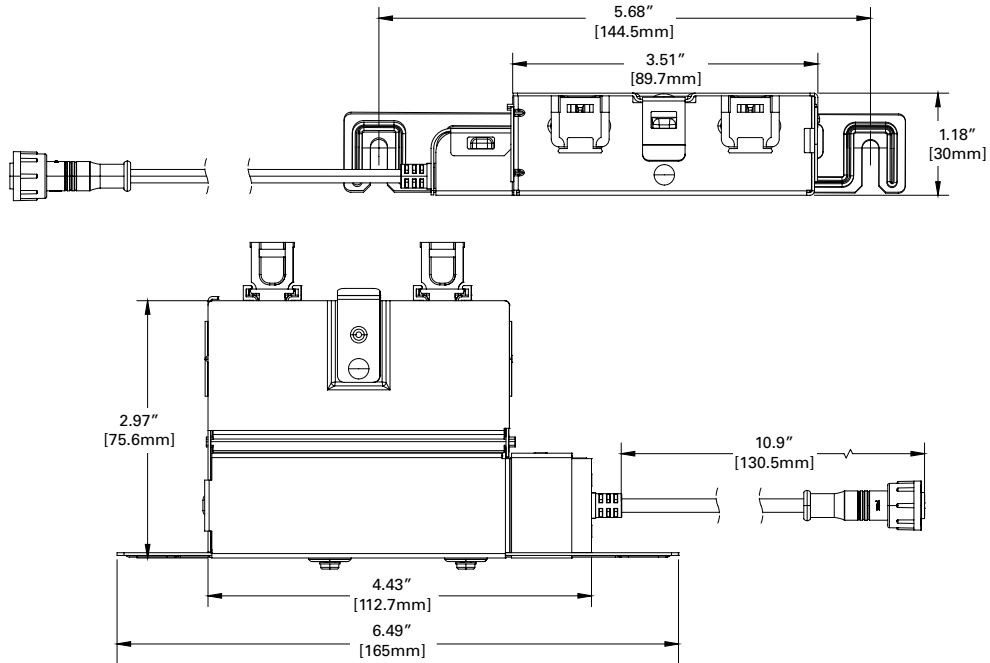
Dimensions



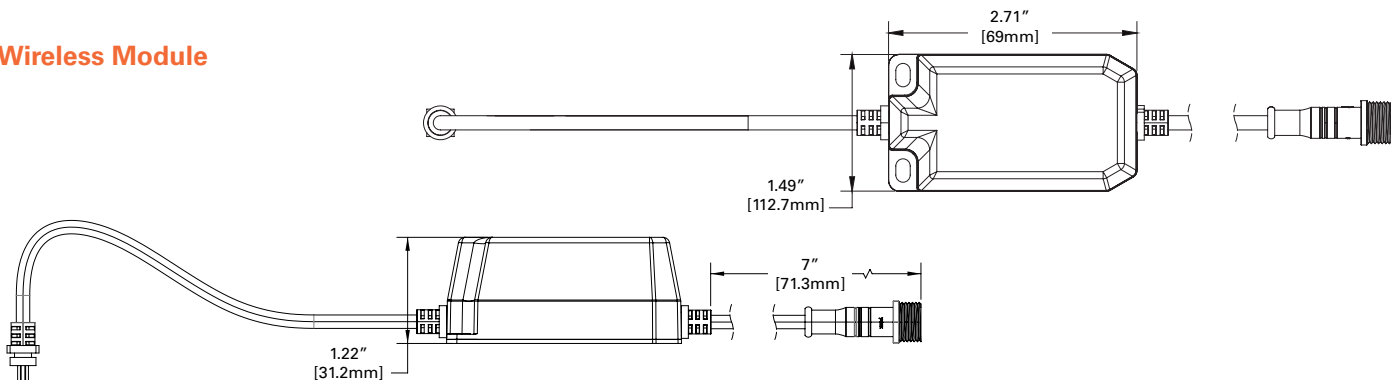
Hole Saw Sizing	Min	Max
HLB 6"	6" (152.4mm)	6-1/4" (158.75mm)



Junction Box



Wireless Module



Order Information

Catalog Numbers	Models	Lumens	CRI/CCT	Driver	Finish	Packaging	Optional
HLB6099WZRGBWMWR HLB6099WZRGBWMWR-C	HLB6 = 6" Smart Wi-Fi Slim Canless LED Downlight	09 = 900 lumens (nominal)	9WZ = 90 CRI minimum, WIZ PRO-enabled (Wi-Fi + Bluetooth)	RGBW = Full Color (16 million colors) + Tunable White (2200K to 6500K) via WIZ App	MW = Matte white trim	R = Recyclable	-C = Canadian Packaging
Notes	Notes	Notes	Notes	Notes	Notes	Notes	Notes

Accessories

Accessories

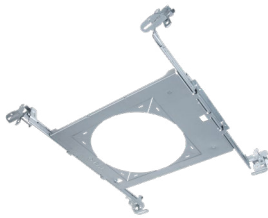
Designer Trims

HLB6RTRMMW = 6" Round Paintable Matte White Overlay
HLB6RTRMMB = 6" Round Matte Black Overlay
HLB6RTRMSN = 6" Round Satin Nickel Overlay
HLB6RTRMTBZ = 6" Round Tuscan Bronze Overlay



New Construction Mounting Frame

HL6RSMF = 6" new construction mounting frame
 Attach remote junction box to the mounting plate with included thumbscrews for electrical rough in. Hanger bars hold the fixture position during drywalling.



Oversized Trim Ring

HLB6ROTMMW = Round Matte White Oversized Trim Ring
 Use with 6" HLBs to cover oversized holes. Clicks together and matches the fixture's thickness to create a cohesive look. Outside Diameter = 8.875" (22.54cm)



Extension Cables

Plenum-rated cable for extending connection between the remote junction box and LED fixture – simply plug in and twist the barrel connectors.

HLB06EC = 6 ft. extension cable
HLB12EC = 12 ft. extension cable
HLB20EC = 20 ft. extension cable



Product Specifications

Wireless System

- HALO with WiZ PRO products can be claimed using either the WiZ App or WiZ PRO Setup App.
- Compatible with all WiZ-enabled products.
- Max Devices/Account: 200

WiZ App Setup & Control

- HALO with WiZ PRO products can be controlled directly within the WiZ App.
- The WiZ App allows for control of lighting from home or away via Wi-Fi.
- Wirelessly control on/off, white tuning (2200K to 6500K), full color, and dimming (100% to 5%) using the WiZ App
- Android or Apple iOS compatible with most smartphones and tablets
- Setup Groups, Scenes, Schedules, and Rhythms to automate lighting.
- Integrates with Amazon Alexa, Hey Google, Siri Shortcuts, IFTTT, and SmartThings

WiZ PRO Control

- HALO with WiZ PRO also has claiming and account management features designed for the professional installer.
- Professional Installers can use the WiZ Pro Setup App to claim products quickly using pre-Wi-Fi commissioning and manage multiple jobsites including transferring account ownership.
- The WiZ Pro Dashboard gives professional installers:
 - A clear overview to monitor lighting over a mapped location
 - Full range of configurations and remote control
 - Comprehensive reporting on device status & energy usage
- Learn more about WiZ PRO features and functionality at pro.wizconnected.com

WiZ Support

- HALO has partnered with WiZ as a third-party smart home system. All associated information and support for WiZ can be accessed via the **WiZ App**, **WiZ PRO Setup App**, **WiZ PRO Dashboard** or at wizconnected.com.

Control & Dimming

- These fixtures can be used with standard ON/OFF switches. (Do not use with any dimmers.)
- The **WiZ Click Feature** is a secondary control option, which uses your main light switch: toggle the switch on once to activate **Favorite Mode 1**, toggle twice for **Favorite Mode 2**.
- Wireless flicker-free dimming from 100%-5% via the WiZ App
- Only compatible with other WiZ-enabled products (Not compatible with HALO Home or any other controls.)

Power Cycle Behavior

- Unpaired WiZ fixtures will operate like a standard fixture until claimed into an account (2700K)
- IMPORTANT: If fixtures are hardwired with constant power or a user plans to always control them wirelessly instead of with a standard ON/OFF switch, use the Power Outage Recovery setting to prevent devices from turning back ON after a power outage.

Fixture and Optics

- Plastic mounting frame with integral flange provides passive thermal cooling achieving L70 at 50,000 hours in IC and non-IC applications
- Smooth diffuse impact-resistant polycarbonate lens for even illumination
- Precision acrylic light guide organizes source flux into wide distribution with 1.28 spacing criteria, useful for general area illumination

LED Array

- Delivers 900 lumens
- Mid power LED array provides a uniform source with high efficiency and no pixilation.
- 90 CRI minimum, R9 greater than 50
- 4 SDCM at 2700K and 7 SDCM up to 6500K
- Full color RGB LEDs also included to delivery 16 million color options
- 50K hour life: achieves L70 at 50,000 hours in IC and non-IC applications
- Meets ENERGY STAR® color angular uniformity requirements, deviation is less than 0.006

Designer Trims (sold separately)

- Designer trims are decorative overlays that attach to the fixture for a permanent finish and are available in:
 - Matte Black
 - Paintable Matte White
 - Satin Nickel
 - Tuscan Bronze
- Refer to the *Accessories section above for more details*
- The HALO HLB Oversized Trim Ring interlocks with the fixture's flange for a continuous flange height. OT Rings can be used to conceal larger openings caused by miscuts or fixture replacements

Gasket

- Closed cell gasket achieves restrictive airflow requirements without additional caulking

Remote Driver

- Die formed metal driver / junction box with captive-hinged junction box cover
- Listed for (6) #12 AWG 90° C splice conductors, 2-in, 2-out plus (2) ground
- (4) - 1/2" conduit pry-outs
- Accepts 14-2, 14-3, 12-2, 12-3 U.S. and 14-2, 14-3, 12-2 Canadian NM cable
- (3) - 4-port push wire nuts for quick and reliable mains voltage connections
- Mounting holes facilitate direct mounting to building structure with included bracket or to a mounting frame (sold separately)

Driver

- Integral 120V 60 Hz constant current driver provides noise free operation
- Continuous flicker-free wireless flicker-free dimming down from 100%-5%
- Plenum rated inline electrical quick connect provides low voltage connection to fixture fitting, CMP/FT6 rated

Installation

- Can be installed in 3/8" to 1-1/4" (9.52mm - 31.75mm) thick ceilings
- Cutout utilizes standard round hole saw sizes (see cutout chart below); cutout template provided

Hole Saw Sizing	Min	Max
HLB 6"	6" (152.4mm)	6-1/4" (158.75mm)

- Heat treated springs hold fixture fitting securely in the ceiling eliminating light leak
- Fixture is less than 1/2" thick and can span a 1-1/2" nominal framing member
- Can be removed from below the ceiling for service or replacement

Mounting Frame

Sold separately for New Construction

- Pre-galvanized steel mounting frame locates fixture fittings during electrical rough-in and provides cutout guidance for drywall contractor
- Provides attachment points and thumbscrews for remote driver/junction box

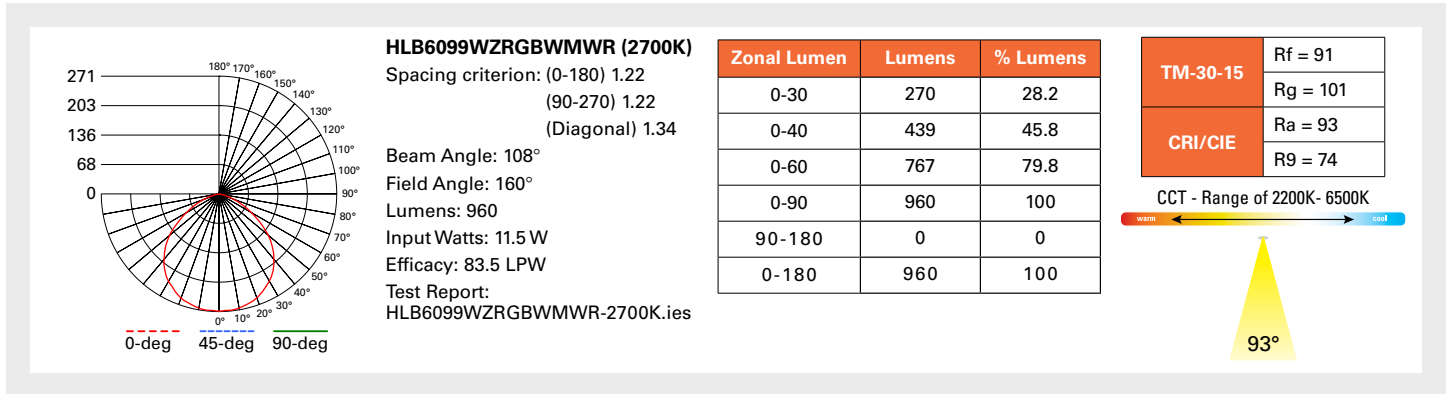
Compliance

- cULus Certified type IC suitable for direct contact with air permeable insulation
- Not recommended for use in direct contact with spray foam insulation (reference NEMA LSD57-2013)
- protection
- Airtight per ASTM-E283-04
- Suitable for use in clothes closets when installed in accordance with the NEC 410.16 spacing requirements
- EMI/RFI emissions per FCC 47CFR Part 15 consumer limits
- Contains no mercury or lead and RoHS compliant
- Photometric testing in accordance with IES LM-79-08
- Lumen maintenance projections in accordance with IES LM-80-08 and TM-21-11
- State of California Title 24 high efficacy
- LED compliance under JA8, reference Modernized Appliance Efficiency Database System (MAEDBS) for 2022 JA8 High Efficacy Lighting
- ENERGY STAR® listed, reference database for current listings
- Can be used for International Energy Conservation Code (IECC) high efficiency luminaire compliance.
- FCC ID - 2AC7Z-ESP32SOLO1
- IC CODE - 21098-ESP32SOLO1

Warranty

- Five year limited warranty, consult website for details. cooperlighting.com/warranty

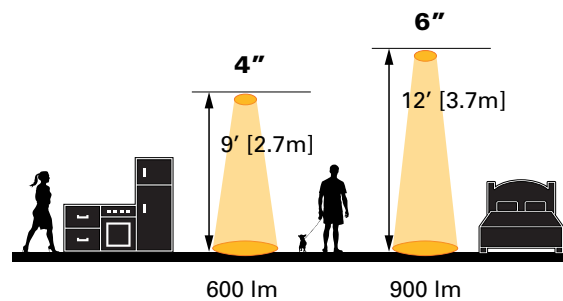
Photometric Data



Energy and Performance Data

HLB6099WZRGBWMWR	
Lumens	960 @ 2700K
Input Voltage	120V
Input Frequency	60 Hz
Input Power	12.02W
Input Current	0.102 A
Power Factor	>0.90
THD	<20%
EMI/RFI	FCCTitle 47 CFR, Part 15, Class B (Consumer)
Sound Rating	Class A
Minimum Starting Temp	-30°C (-22°F)

Scale



Tested in accordance with IES LM63. Field results may vary.

Note: Refer to IES files for more product data.