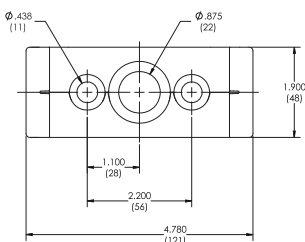
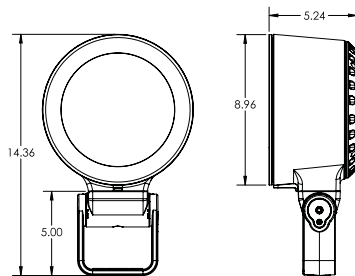
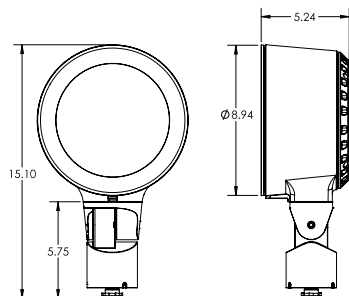



Specifications

Weight:	15lbs
EPA:	KM: .73 YM: .71

DIMENSIONS

YOKE

KNUCKLE

SAF7 LED SPECIALTY ARCHITECTURAL FLOOD

HIGHLIGHTS

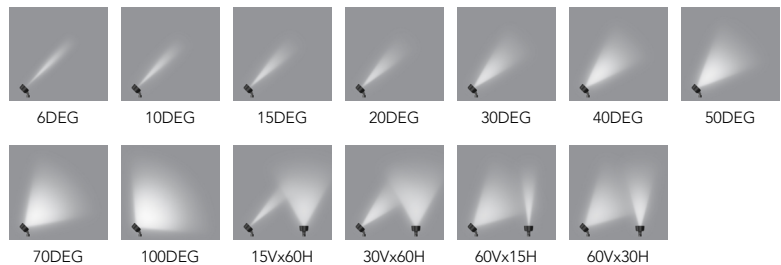
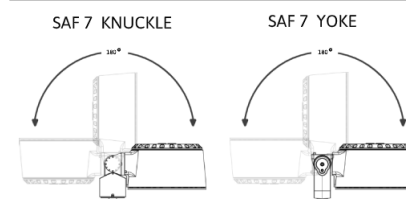
- Suitable for a variety of mounting applications including ground, wall, pole, stanchion
- 3G vibration rating per ANSI C136.31
- 0-10V, Reverse phase Dimming
- Taper-Lock technology provides full aiming integrity utilizing both a rugged knuckle and yoke design
- Available in 80CRI and 90CRI
- 5,000lm
- IK10 option available
- Minimalist design that provides clean and intentional lines and transitions
- Slightly convex watershed lens that evades water build up and staining
- Industry leading flow-thru design achieved with separately sealed optical chamber and driver
- NOM Listed
- Available in MVOLT and 347 volt
- nLight Air wireless option available


LUMEN PACKAGES

	6DEG	10DEG	15DEG	20DEG	30DEG	40DEG	50DEG
Delivered Lumens	3,413	3,253	2,995	2,975	2,935	2,888	2,867
Watts	43	43	33	33	33	33	33
LPW	79	76	91	90	89	88	87
Peak Candela	205,130	81,866	26,659	18,265	7,403	4,302	3,117

	70DEG	100DEG	15Vx60H	30Vx60H	60Vx15H	60Vx30H
Delivered Lumens	2,779	2,524	3,063	2,957	2,866	2,825
Watts	33	33	33	33	33	33
LPW	84	76	93	90	87	86
Peak Candela	1,897	1,270	7,663	4,225	7,945	4,018

Note: Information based on 4000K @ P1, 80CRI

STANDARD DISTRIBUTION

AIMING DETAIL


ORDERING INFORMATION

EXAMPLE: SAF7 LED P1 80CRI 27K MVOLT 6DEG CWL KM CJB L1 ZT BL

SAF7															
Series*	Source*	Performance Packages*	CRI*	Color Temperature*		Voltage*	Distribution*		Lens*	Mounting*					
SAF7 Specialty Architectural Flood	LED	P1	80CRI	27K	2700K	MVOLT	6DEG	6°	CWL Clear Watershed Lens Note: CWL lens IK07. For IK10 use external WRG option	KM	Knuckle	YM	Yoke		
		P2	90CRI	30K	3000K	347	10DEG	10°							
		P3	Note: 90CRI Not available in 50K		35K	3500K		15DEG		15°					
		Note: P3 not available in 6DEG & 10DEG		Note: CRI not required with AMBLW		40K	4000K			20DEG	20°				
		Note: 347 volt is not available with P3		Note: AMBLW not available in 6DEG		50K	5000K			30DEG	30°				
						AMBLW ¹	Amber Limited Wavelength (591nm)			40DEG	40°				
						Note: AMBLW only available in P1				50DEG	50°				
						Note: 347 volt is not available with AMBLW				70DEG	70°				
										100DEG	100°				
										15VX60H	15° x 60°				
										30VX60H	30° x 60°				
										60VX15H	60° x 15°				
										60VX30H	60° x 30°				
							Note: 347 is not available with 6DEC and 10DEG								

Mounting Accessories		Options Internal Accessory		Options	Control Input	External		Finish*		
ADPMR	Architectural Decorative Pole Mount Round	L1	Prismatic Lens	CSL_ 10' - 50' of cord available in 5' increments	ZT	0-10V dimming to 1%	GS	Glare shield	BL	Black Textured
ADPMS	Architectural Decorative Pole Mount Square	L2	Linear Spread Lens		ELV	Reverse phase	FGS	Full Glare Shield	BRS	Bronze Smooth
AMPC_/_	Architectural Mid Pole Clamp available to fit on a 4" or 6" pole with 1 or 2 fixtures	L3	Softening Lens		NLTAIR2	nLight Air Wireless Enabled for Dimming	WRG	Wire Rock Guard	BRT	Bronze Textured
APAR	Round 18" Pole Mount	Note: Only one Internal accessory can be choosen		Note: 347 volt is not available with ELV and NLTAIR2				DBL	Black Smooth	
APAS	Square 18" Pole Mount	Hardware		Note: ZT is not available with 347 with YM				DDB	Designer Bronze	
AWSC	Architectural Wall Splice Cover	TPH	Tamper proof hardware					DNA	Natural Aluminum	
CAJB	Cylindrical Architectural Junction box	LASC	Safety Cable					NBS	Natural Bronze Smooth	
CJB	Cylindrical Junction Box							VET	Verde Textured	
CPM	Cylindrical Pedestal Mount							WH	White Textured	
CPMSA	Cylindrical Pole Mount Splice Access							WHS	White Smooth	
CSM_	Cylindrical Stancion Mount 12"-48" available in 6" increments							_Z	Zinc Undercoat (i.e.BLZ) Note: Zinc Undercoat provides corrosion protection for Marine Environment and Natatorium Construction	
CWMA_T	Cylindrical Wall Mount Arm Top 12"-48" (available in 6" increments)							CF	Custom Finish	
CWMA_E	Cylindrical Wall Mount Arm End 12"-48" (available in 6" increments)							RALTBD	RAL Paint Finishes Note: RALTBD for pricing only, replace with applicable RAL call out when ready to order. See the RALBROCHURE for available options. It is recommended that Hydrel products only use textured paint.	

*Required Fields

Notes:

1 Lumens not reflective of Amber output. See below chart

DIMMING CHART

Voltage	Control Input	Min Dimming Level
MVOLT	ZT	1%
MVOLT	ELV Reserve Phase	1%
MVOLT	NLTAIR2	1%

PERFORMANCE DATA

LUMEN OUTPUT – SAF7

Lumen values are from photometric tests performed in accordance with IESNA LM-79-08. Data is considered to be representative of the configurations shown, within the tolerances allowed by Lighting Facts. Actual performance may differ as a result of end-user environment and application. Contact factory for performance data on any configurations not shown here.

Performance Package	System Watts	Distribution Type	Field Angle		Beam Angle		27K (2700K, 80CRI)			30K (3000K, 80CRI)			35K (3500K, 80CRI)			40K (4000K, 80CRI)			50K (5000K, 80CRI)		
			°H	°V	°H	°V	Max CD	Lumens	LPW	Max CD	Lumens	LPW	Max CD	Lumens	LPW	Max CD	Lumens	LPW	Max CD	Lumens	LPW
P1	43W	6DEG	11	11	6	6	181,188	3,015	70	190,441	3,169	74	202,373	3,367	78	205,130	3,413	79	212,580	3,537	82
		10DEG	18	18	9	9	72,311	2,873	67	76,004	3,020	70	80,766	3,209	75	81,866	3,253	76	84,839	3,371	78
		15DEG	32	32	16	16	24,576	2,761	84	25,599	2,876	87	26,353	2,961	90	26,659	2,995	91	28,418	3,193	97
		20DEG	39	39	20	20	16,838	2,743	83	17,539	2,857	87	18,055	2,941	89	18,265	2,975	90	19,470	3,172	96
	33W	30DEG	61	61	33	33	6,825	2,706	82	7,109	2,819	85	7,318	2,902	88	7,403	2,935	89	7,891	3,129	95
		40DEG	78	78	47	47	3,966	2,662	81	4,132	2,773	84	4,253	2,855	87	4,302	2,888	88	4,586	3,078	93
		50DEG	90	90	56	56	2,874	2,643	81	2,993	2,753	83	3,081	2,834	86	3,117	2,867	87	3,323	3,056	93
		70DEG	111	111	77	77	1,749	2,562	78	1,822	2,668	81	1,875	2,747	83	1,897	2,779	84	2,022	2,962	90
		100DEG	127	127	94	94	1,171	2,327	71	1,220	2,424	73	1,256	2,495	76	1,270	2,524	76	1,354	2,691	82
		15Vx60H	95	34	66	16	7,065	2,823	86	7,359	2,941	89	7,576	3,028	92	7,663	3,063	93	8,169	3,265	99
		30Vx60H	98	61	66	33	3,895	2,726	83	4,057	2,839	86	4,177	2,923	89	4,225	2,957	90	4,504	3,152	96
		60Vx15H	33	93	16	65	7,324	2,642	80	7,629	2,752	83	7,854	2,833	86	7,945	2,866	87	8,469	3,055	93
		60Vx30H	62	100	34	68	3,704	2,604	79	3,858	2,713	82	3,972	2,792	85	4,018	2,825	86	4,283	3,011	91
		P2	57W	6DEG	11	11	6	6	212,519	3,536	58	223,372	3,716	65	237,367	3,949	69	240,600	4,003	70	249,339
10DEG	18			18	9	9	84,815	3,370	59	89,146	3,542	62	94,731	3,764	66	96,022	3,815	67	99,509	3,954	69
15DEG	32			32	16	16	30,708	3,450	78	31,986	3,594	82	32,928	3,700	84	33,309	3,742	85	35,508	3,989	91
20DEG	39			39	20	20	21,039	3,427	78	21,915	3,570	81	22,560	3,675	84	22,821	3,718	84	24,327	3,963	90
44W	30DEG		61	61	33	33	8,527	3,381	77	8,882	3,522	80	9,144	3,626	82	9,250	3,668	83	9,860	3,910	89
	40DEG		78	78	47	47	4,956	3,326	76	5,162	3,465	79	5,314	3,567	81	5,376	3,608	82	5,731	3,846	87
	50DEG		90	90	56	56	3,591	3,303	75	3,740	3,440	78	3,850	3,541	80	3,895	3,582	81	4,152	3,819	87
	70DEG		111	111	77	77	2,185	3,201	73	2,276	3,334	76	2,343	3,432	78	2,370	3,472	79	2,527	3,701	84
	100DEG		127	127	94	94	1,463	2,908	66	1,524	3,029	69	1,569	3,118	71	1,587	3,154	72	1,692	3,362	76
	15Vx60H		95	34	66	16	8,827	3,528	80	9,195	3,675	84	9,466	3,783	86	9,575	3,827	87	10,207	4,079	93
	30Vx60H		98	61	66	33	4,867	3,406	77	5,070	3,548	81	5,219	3,652	83	5,279	3,694	84	5,628	3,938	90
	60Vx15H		33	93	16	65	9,152	3,301	75	9,533	3,439	78	9,814	3,540	80	9,927	3,581	81	10,582	3,817	87
	60Vx30H		62	100	34	68	4,628	3,254	74	4,821	3,389	77	4,963	3,489	79	5,020	3,529	80	5,352	3,762	86
	P3		57W	15DEG	32	32	16	16	37,555	4,219	74	39,118	4,395	77	40,271	4,524	79	40,737	4,577	80	43,425
20DEG		39		39	20	20	25,730	4,191	74	26,801	4,366	77	27,591	4,494	79	27,910	4,546	80	29,752	4,847	85
30DEG		61		61	33	33	10,429	4,135	73	10,863	4,307	76	11,183	4,434	78	11,312	4,485	79	12,059	4,781	84
40DEG		78		78	47	47	6,061	4,068	71	6,313	4,237	74	6,499	4,362	77	6,575	4,413	77	7,008	4,704	83
50DEG		90		90	56	56	4,391	4,039	71	4,574	4,207	74	4,709	4,331	76	4,763	4,381	77	5,078	4,670	82
70DEG		111		111	77	77	2,672	3,915	69	2,784	4,078	72	2,866	4,198	74	2,899	4,246	74	3,090	4,526	79
100DEG		127		127	94	94	1,790	3,556	62	1,864	3,704	65	1,919	3,813	67	1,941	3,857	68	2,069	4,112	72
15Vx60H		95		34	66	16	10,796	4,314	76	11,245	4,494	79	11,576	4,626	81	11,710	4,680	82	12,483	4,989	88
30Vx60H		98		61	66	33	5,952	4,165	73	6,200	4,339	76	6,383	4,466	78	6,456	4,518	79	6,883	4,816	84
60Vx15H		33		93	16	65	11,192	4,037	71	11,658	4,206	74	12,002	4,329	76	12,141	4,380	77	12,942	4,669	82
60Vx30H		62		100	34	68	5,660	3,979	70	5,896	4,145	73	6,070	4,267	75	6,140	4,316	76	6,545	4,601	81

Performance Package	System Watts	Distribution Type	Field Angle		Beam Angle		AMBLW		
			°H	°V	°H	°V	Max CD	Lumens	LPW
P1	26W	10DEG	18	18	9	9	16,857	670	26
		15DEG	32	32	16	16	5,176	582	22
		20DEG	39	39	20	20	3,546	578	22
		30DEG	61	61	33	33	1,437	570	22
		40DEG	78	78	47	47	835	561	22
		50DEG	90	90	56	56	605	557	21
		70DEG	111	111	77	77	368	540	21
		100DEG	131	131	100	100	200	454	17
		15Vx60H	95	34	66	16	1,488	595	23
		30Vx60H	98	61	66	33	820	574	26
		60Vx15H	33	93	16	65	1,543	557	21
		60Vx30H	62	100	34	68	780	548	21

PROJECTED LED LUMEN MAINTENANCE

Data references the extrapolated performance projections for the Fixture platform in a 25°C ambient, based on 10,000 hours of LED testing (tested per IESNA LM-80-08 and projected per IESNA TM-21-11). To calculate LLF, use the lumen maintenance factor that corresponds to the desired number of operating hours below. For other lumen maintenance values, contact factory.

Operating Hours	0	20,000	40,000	60,000
Lumen Maintenance Factor	1	0.9447	0.8987	0.8549

Note: Based on P1 Performance Package 6Deg & 10DEG

Operating Hours	0	20,000	40,000	60,000
Lumen Maintenance Factor	1	0.9664	0.948	0.9299

Note: Based on P1 Performance Package 15+Deg

LED LIFE: L70@ >36,000 hours for 6DEG & 10DEG

L70 @ >60,000 hours for 15+Deg

CSA LISTING TEMPERATURE: -30°C through 50°C (P1)

-30°C through 35°C (P2 6DEG & 10DEG)

-30°C through 40°C (P2 15+DEG)

-30°C through 30°C (P3 15+DEG)

PHOTOMETRIC DIAGRAMS

To see complete photometric reports or download .ies files for this product, visit www.hydrrel.com

PERFORMANCE DATA

ELECTRICAL LOAD

Light Engines	Drive Current (mA)	System Watts	Input Current (A)			
			120	208	240	277
Static White P1 6Deg & 10Deg	1700	43	0.37	0.22	0.19	0.17
Static White P2 6Deg & 10Deg	2200	57	0.51	0.29	0.25	0.22
Static White P1 15+Deg	700	33	0.28	0.16	0.14	0.13
Static White P2 15+Deg	920	44	0.36	0.21	0.18	0.16
Static White P3 15+Deg	1220	57	0.5	0.28	0.25	0.22
Amber P1 15+Deg	700	26	0.22	0.13	0.11	0.09

LUMEN AMBIENT TEMPERATURE (LAT) MULTIPLIERS

Use these factors to determine relative lumen output for average ambient temperatures from 0-40°C (32-104°F)

Ambient		Static White - 6&10Deg Lumen Multiplier	Static White - ≥15Deg Lumen Multiplier	Amber Lumen Multiplier
0°C	32°F	1.06	1.04	1.22
10°C	50°F	1.03	1.02	1.11
20°C	68°F	1.01	1.01	1.04
25°C	77°F	1.00	1.00	1.00
30°C	86°F	0.99	0.99	0.97
40°C	104°F	0.96	0.98	0.91




CRI Scaling Chart	
90CRI	0.9

Optical Scaling Charts*	
Symmetric Distributions (6DEG - 70DEG)	
GS	0.96
FGS	0.95
IHL	0.76
L1	0.95
L2	0.95
L3	0.97
WRG	0.81
*Wider distributions will have a lower scaling factor - see individual IES files for full details	
Asymmetric Distributions (xxVxxH)	
GS	0.93*
FGS	0.85*
IHL	0.35
L1	0.88
L2	0.86
L3	0.95
WRG	0.71
Note: This table can be used to approximate the lumen values with different accessories. Please see IES files for exact lumen outputs.	


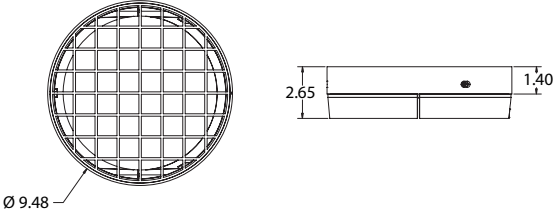

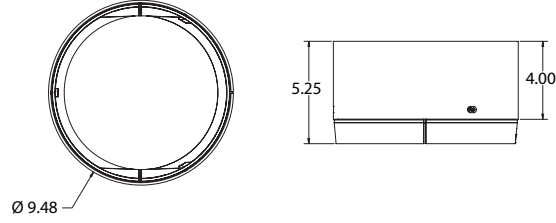

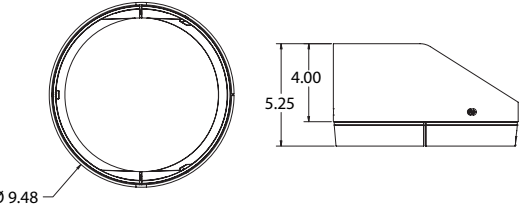
SAF MOUNTING ACCESSORIES

		Part #
	<ul style="list-style-type: none"> • ADPMR/ADPMS Architectural Decorative Pole Mount Round or Square • Architectural opulent design for seamless pole integration and fixture aiming • Intended for 4" round and tapered poles or minimum 4" square poles • Mounting location on the top of each arm accepts one lighting fixture • Designed for SAF7 & SAF14 fixtures 	Example: ADPMR 78C BL See spec sheet for more options
	<ul style="list-style-type: none"> • AMPC Architectural Mid Pole Clamp • Clamp pole mount design for quick install and fixture aiming • Intended for 4" or 6" round straight pole • Mount one or two fixtures • Mounting location mid pole • Designed for SAF7 and SAF14 series with safety cable option 	Example: AMPC4/1 78C BL See spec sheet for more options
	<ul style="list-style-type: none"> • APAR/APAS Architectural Pole Arm Round or Square • Intended for 4" round and tapered poles or minimum 4" square poles • Mounting location on the top of each arm accepts one lighting fixture • Designed for SAF7 & SAF14 fixtures 	Example: APAS XLSC BRS See spec sheet for more options
	<ul style="list-style-type: none"> • AWSC Architectural Wall Splice Cover • Designed to be mounted over a recessed wall box or can be surface mounted for direct conduit entrance • Supplied with an integral splice access compartment for easy fixture connections • Designed for SAF7 & SAF14 fixtures 	Example: AWSC 78C DNA See spec sheet for more options
	<ul style="list-style-type: none"> • CAJB Cylindrical Architectural Junction Box • Designed for architectural and landscape applications • Recommended for mounting on a rigid metallic conduit • For direct mounting of the SAF7 & SAF14 series light fixtures 	Example: CAJB 34B XLSC DBL See spec sheet for more options
	<ul style="list-style-type: none"> • CJB Cylindrical Junction Box • Drilled and tapped to 3/4" NPT specifications • For larger hole sizes, consult factory • Recommended to seal conduit to maintain dry components • Compatible with SAF7 & SAF14 Flood luminaries 	Example: CJB 34S XLSC VET See spec sheet for more options

SAF MOUNTING ACCESSORIES

		Part #
	<ul style="list-style-type: none"> • CPM Cylindrical Pedestal Mount • Suitable for architectural and landscape applications • Provided with front access cover for easy wiring and installation. • Compatible with SAF7 & SAF14 Flood luminaries 	Example: CPM 78C BL See spec sheet for more options
	<ul style="list-style-type: none"> • CPMSA Cylindrical Pole Mount Splice Access • Designed to mount atop of 4" round poles • Provided with splice compartment • Compatible with SAF7 & SAF14 Flood luminaries 	Example: CPMSA 78C DBL See spec sheet for more options
	<ul style="list-style-type: none"> • CSM Cylindrical Stanchion Mount • Available in heights from 12" to 48" in 6" increments • Provided with front access cover for easy wiring and installation. • Compatible with SAF7 & SAF14 Flood luminaries 	Example: CSM12 XLSC BRT See spec sheet for more options
	<ul style="list-style-type: none"> • CWMA E/CWMA T Cylindrical Wall Mount Arm End or Top • Available in lengths from 12" to 48" in 6" increments • Supplied with splice cover for easy wiring and installation • End mounting only available with SAF7 • Compatible with SAF7 & SAF14 Flood luminaries 	Example: CWMA30E 78C BL CWMA12T XLSC BRS See spec sheet for more options

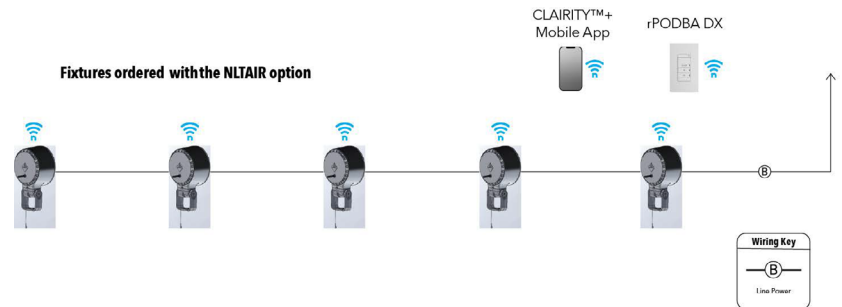
EXTERNAL ACCESSORIES

		Part #
	<ul style="list-style-type: none"> • WRG -Wire Rock Guard 	Example: WRGSAF7 BL
	<ul style="list-style-type: none"> • FGS- Full Glare Shield 	Example: FGSSAF7 DDB
	<ul style="list-style-type: none"> • GS- Glare Shield 	Example: GSSAF7 BL

nLight AIR is the ideal solution for retrofit or new construction spaces where adding communication wiring is cost prohibitive. These individually addressable controls offer the ultimate in flexibility during initial setup and for space repurposing.

Possibilities for nLight® AIR

nLight AIR Control Accessories	
<i>Order as separate catalog number. Visit nLight AIR</i>	
Wall Switches	Model Number
On/Off single pole	rPODB (color) G2
On/Off two pole	rPODB 2P (color) G2
On/Off & raise/lower single pole	rPODB DX (color) G2
On/Off & raise/lower two pole	rPODB 2P DX (color) G2



FEATURES & SPECIFICATIONS

MATERIAL: Die cast copper-free aluminum (A360) housing & doors with separate optical and driver compartments to ensure thermal isolation of the electronic drivers and LED's.

LIGHT SOURCE: Proprietary PBCA LED technology with correlated color temperatures (CCT) of 2700K, 3000K, 3500K, 4000K, or 5000K (>80 CRI). All within 3 MacAdam ellipses

VOLTAGE: MVOLT 120V-277V, 50/60Hz and 347 volt

DISTRIBUTION: Available in 6DEG, 10DEG, 15DEG, 20DEG, 30DEG, 40DEG, 50DEG, 70DEG, 100DEG, 15Vx60H, 30Vx60H, 60Vx15H and 60Vx30H

LENS: Molded from heat strengthened borosilicate glass for superior clarity and strength.

MOUNTING: Adjustable knuckle is 1/2" NPT. Yoke mount is a 7/8" thru hole center and (2) 7/16" thru holes 2.2" on center. Aluminum knuckle, yoke, & stainless steel locking hardware with infinite aiming adjustment capabilities and a wide array of mounting accessories. The SAF series can withstand up to a 3G vibration load rating per ANSI/IEEE C136.31. Yoke mount luminaires are provided with 10'-50' at 5ft increments of 18 gauge/6 conductor ST cord for power supply and control. Knuckle mount luminaires are provided with 18" leads (18 gauge for power supply and 22 gauge for control)

GLARE CONTROL: External glare control options include full glare shields and half glare shields

EXTERNAL ACCESSORY: Impact resistant rock guard

ELECTRICAL: MVOLT (120-277) LED class 2 power supply, 26-57 watts, L83 lifetime \geq 100,000 hours at 25°C. Power factor > 90%, THD < 20%. 6KV surge protection meets a minimum Category C low operation per ANSI/IEEE C62.41.2.

FEATURES: Taper lock knuckle and yoke for infinite aiming and an unparalleled locking ability.

FINISH: Exterior parts are protected by a zinc-infused durable TGIC thermoset powder coat finish that provides superior resistance to corrosion and weathering. A tightly controlled multi-stage process ensures a minimum 3 mils thickness for a finish that can withstand extreme climates without cracking or peeling.

GOVERNMENT PROCUREMENT

BAA – Buy America(n) Act: Product qualifies as a domestic end product under the Buy American Act as implemented in the FAR and DFARS. Product also qualifies as manufactured in the United States under DOT Buy America regulations.

BABA – Build America Buy America: Product qualifies as produced in the United States under the definitions of the Build America, Buy America Act.

Please refer to www.acuitybrands.com/resources/buy-american for additional information.

LISTING: cCSAus, Suitable for outdoor & wet location. IP68 rated

WARRANTY: 5-year limited warranty. This is the only warranty provided and no other statements in this specification sheet create any warranty of any kind. All other express and implied warranties are disclaimed. Complete warranty terms located at: www.acuitybrands.com/support/warranty/terms-and-conditions

Consult factory for details.

NOTE: Actual performance may differ as a result of end-user environment and application. All values are design or typical values, measured under laboratory conditions at 25 °C. Specifications subject to change without notice.