



# 6" SUPER SLOPE CEILING CFL IC REMODEL HOUSING

Project: \_\_\_\_\_

Fixture Type: \_\_\_\_\_

Location: \_\_\_\_\_

Contact/Phone: \_\_\_\_\_

SUPER SLOPE:

7/12 to 12/12 PITCH (30° to 45°)

CFL LAMPS

**ICPL928R-32**

## PRODUCT DESCRIPTION

ICPL Energy Star, Air-Loc® sealed remodel housing • No separate ALG gasket required • Can be completely covered with insulation • Fully sealed housing stops infiltration and exfiltration of air, reducing heating and air cooling costs • 2 year warranty.

## PRODUCT SPECIFICATIONS

**Lamp** One 26W or 32W triple tube (4-pin) CFL lamp  
CFTR26W/GX24q-3 or CFTR32W/GX24q-3.

**Socket** Supplied with threaded barrel CFL socket. Socket mounts to an adjustable plate to accommodate various pitch ceilings  
• Plate includes 1/4" adjustment indicators to aid in socket alignment.

**Upper Reflector** Screw on type reflector mounts to threaded barrel socket and is removable to accommodate plate adjustment and coil spring trim installation • Clear Alzak® finish reflector is optimized for use with CFL lamps.

**Ballast** 120V HPF Rapid Start Electronic with end-of-life lamp protection • Optional dimming ballast available • UL listed/CSA certified.

**Trims** Trim selection shown on reverse.

**Labels** Energy Star qualified • UL Listed for contact with insulation and damp locations • Meets Washington State Air Tight Requirements, IECC • Complies with FCC Part 18 consumer use limits • Product mechanically protected against improper use of lamps • Union made AFL-CIO • Complies with California's Title 24 energy code • Trim 6033 is wet location approved for covered ceiling applications.

**Testing** All reports are based on published industry procedures; field performance may differ from laboratory performance.

Product specifications subject to change without notice.

## INSTALLATION

**Junction Box** Pre-wired junction box provided with removable access plate, (5) 1/2" knockouts, (4) Non-metallic sheathed cable connectors and ground wire • Knockouts equipped with pryout slots.

**Housing** .032" aluminum housing • Remodel clips accommodate up to a 1 1/4" ceiling thickness.

## PRODUCT CODES

Catalog Number	Input Voltage	Lamp Rating (max.)
ICPL928R-32	120V, 60Hz	26W or 32W Triple Tube CFL

## OPTIONS

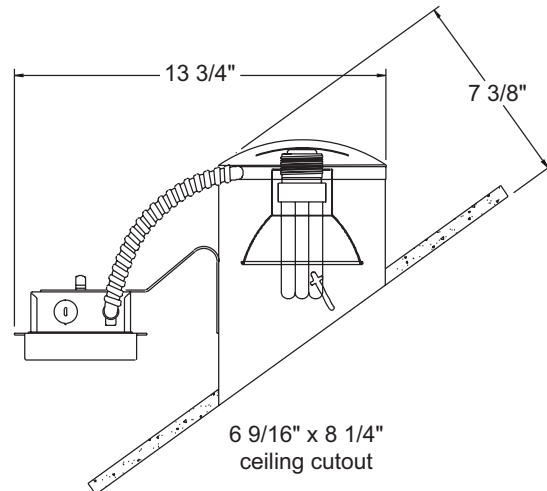
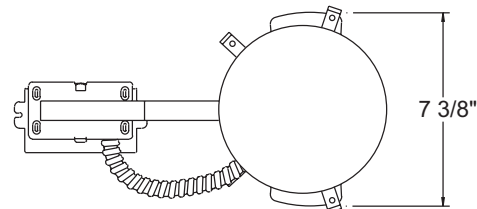
(Add as suffix to housing)

Suffix No.	Description
-32N-DB120	120V NPF Dimming Ballast

Note: This product is Energy Star qualified and Title 24 compliant.

Ordering Example: ICPL928R-32N-DB120

## DIMENSIONS






## ENGINEERING DATA

	ICPL928R-32 120V (HPF) 26W/32W	ICPL928R-32N-DB120 120 Dimming (NPF) 26W/32W
Total input power	29W/36W	27W/35W
Operating AMPS	0.24A/0.31A	0.23A/0.30A
Power Factor	>.98	>.80
T.H.D.	<10%	<150%
Min. starting temperature	0°F/ -18°C	50°F/ 10°C
Crest Factor	<1.70	<1.70
Ballast Factor	1.10/0.98	.15 min/.85 max

# 6" SUPER SLOPE CEILING CFL IC REMODEL HOUSING

SUPER SLOPE:  
7/12 to 12/12 PITCH (30° to 45°)  
CFL LAMPS  
**ICPL928R-32**

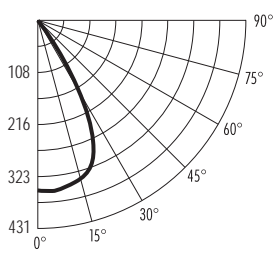
## TRIMS/LAMPS

Cat. No.	Description	Lamp Rating
 <b>604B-WH</b>	Downlight with Black Baffle	32W Triple Tube
<b>604B-SC</b>	Downlight with Black Baffle	
<b>604B-ABZ</b>	Downlight with Black Baffle	
<b>604W-WH</b>	Downlight with White Baffle	
<b>604B-BL</b>	Downlight with Black Baffle	
 <b>602C-WH</b>	Multiplier Cone - Clear Alzak®	32W Triple Tube
<b>602G-WH</b>	Multiplier Cone - Gold Alzak®	
<b>602B-WH</b>	Multiplier Cone - Black Alzak®	
<b>602HZ-WH</b>	Multiplier Cone - Haze	
<b>602HZ-SC</b>	Multiplier Cone - Haze	
<b>602W-WH</b>	Multiplier Cone - White	
<b>602WHZ-WH</b>	Multiplier Cone - Wheat Haze	
<b>602WHZ-ABZ</b>	Multiplier Cone - Wheat Haze	
 <b>6033B-WH</b>	Black Baffle, Regressed Frosted Dome Lens	26W Triple Tube
<b>6033W-WH</b>	White Baffle, Regressed Frosted Dome Lens	

Trim Size: 602 and 604 - 9<sup>5</sup>/<sub>16</sub>" x 8<sup>3</sup>/<sub>16</sub>" O.D, 6033 - 9<sup>1</sup>/<sub>16</sub>" O.D.  
Trim Finish: ABZ - Classic Aged Bronze, BL - Black, SC - Satin Chrome, WH - White.  
Note: In Canada when insulation is present, Type IC fixtures must be used.

## PHOTOMETRIC REPORT

Test Report #: PT07081601  
Catalog No: ICPL928R-32-604W-WH  
Total Luminaire Efficiency: 39.1%  
Luminaire Spacing Criterion @ 0°: .96  
Luminaire: 6" Slope Downlight, Clear Alzak Upper Reflector, White Baffle Trim  
Lamp: One F32TBX/835/A/4P Lamp rated @ 2400 lumens



### CANDLEPOWER DISTRIBUTION (Candelas)

Degrees	0°
Vertical	Average
0	353
5	363
10	349
15	343
20	324
25	245
30	164
35	106
40	72
45	33
50	10
55	0
60	0
65	0
70	0
75	0
80	0
85	0
90	0

### AVERAGE INITIAL FOOTCANDLES

Multiple Units (Square Array)  
Ceiling 80% Wall 50% Floor 20%

Spacing	RCR1	RCR3	RCR5
5.0'	38	30	24
6.0'	27	21	17
7.0'	22	17	14
8.0'	17	13	11
9.0'	13	10	8
10.0'	10	7	6
12.0'	7	5	4

### ZONAL LUMEN SUMMARY

Zone	Lumens	%Lamp	%Fixture
0 - 30°	302	12.6	32.2
0 - 40°	462	19.2	49.2
0 - 60°	706	29.4	75.1
0 - 90°	900	37.5	95.8
90 - 180°	39	1.6	4.2
0 - 180°	939	39.1	100.0

### INITIAL FOOTCANDLES (One Unit, 32W Triple Tube, 63° Beam)

Distance to Illuminated Plane (Feet)	Footcandles Beam Center	Footcandles Beam Edge	Beam Diameter
6	9.8	1.6	7.3'
8	5.5	0.9	9.8'
10	3.5	0.6	12.2'
12	2.5	0.4	14.6'
14	1.8	0.3	17.1'
16	1.4	0.2	19.5'
18	1.1	0.2	22.0'
20	0.9	0.1	24.4'

(Beam Edge defined as 50% of Maximum Nadir Candlepower)

### LUMINANCE (Average cd/m²)

Degrees	Average 0° Luminance
45	2019
55	0
65	0
75	0
85	0

### COEFFICIENTS OF UTILIZATION - % (Zonal Cavity Method) Effective Floor Cavity Refl. 20% (ρfc)

RCR	ρcc	80		70		50		30		10		0		
		ρw	50	30	10	50	30	10	50	10	50	10	0	
0		46	46	46	45	45	45	43	43	40	40	38	38	37
1		40	38	37	39	37	36	37	35	35	33	34	32	31
2		35	32	30	34	32	30	33	29	31	28	30	27	26
3		31	28	26	30	28	25	29	25	28	24	27	23	22
4		28	25	22	27	24	22	26	21	25	21	24	20	19
5		25	22	19	25	21	19	24	19	23	18	22	18	17
6		23	19	17	22	19	17	21	17	21	16	20	16	15
7		21	18	15	20	17	15	20	15	19	15	18	14	14
8		19	16	14	19	16	14	18	13	18	13	17	13	12
9		18	15	12	17	14	12	17	12	16	12	16	12	11
10		16	13	11	16	13	11	16	11	15	11	15	11	10

ρcc - Ceiling Cavity Reflectance (%) ρw - Wall Reflectance (%)



1300 S. Wolf Road • Des Plaines, IL 60018 • Phone (847) 827-9880 • Fax (847) 827-2925  
220 Chrysler Drive • Brampton, Ontario • Canada L6S 6B6 • Phone (905) 792-7335 • Fax (905) 792-0064  
Visit us at [www.junolightinggroup.com](http://www.junolightinggroup.com)

Printed in U.S.A. ©2008 Juno Lighting, LLC.