

PVNT
PREVENT LINEAR

FEATURES

- Vandal Resistant with captive end caps.
- 1ft, 2ft, 3ft and 4ft lengths, 1800–12600 nominal Lumens
- Stand alone, continuous runs, surface ceiling, wall and pendant
- Unlit center piece connect and corner mount options available
- X, T, L shape pattern options
- Tamper resistant fasteners
- Decorative end cap and lens banding options
- Different housing color and finish options



CONTROL TECHNOLOGY



SPECIFICATIONS

CONSTRUCTION

- Polyester epoxy powdercoat finish
- Optional tamper resistant locking cover mechanism prevents access to all fasteners
- All fasteners are Stainless Steel. Tamper resistant (TR) fasteners are included with captive cover
- Marine grade low copper aluminum body
- Impact resistant diffuse polycarbonate lens .156" thick

INSTALLATION

- Surface mount, corner mount, and pendant mount options
- Continuous row mount for pendant, straight runs and corner installations. Unlit center piece connector options available
- Fixtures must be grounded in accordance with national, state and/or local electrical codes. Failure to do so may result in serious personal injury

ELECTRICAL

- Universal voltage, 120 through 277V with a ±10% tolerance. Driver is UL Listed
- High voltage configurations, 347/480. Driver has a 0-10V dimming interface for multi-level illumination options. Driver is UL Listed
- Drivers have greater than a 0.9 power factor, less than 20% harmonic distortion, and be suitable for operation in -40°C to 40°C ambient environments
- Luminaires are capable of operating at 100% brightness in a 40°C environment. Both driver and optical array have integral thermal protection that will dim the luminaire upon detection of temperatures in excess of 85°C
- Dimming range from 1% to 100% through the use of standard 0-10V interface on the programmable driver
- Modular wiring harness in the service area provides user access to the dimming circuitry
- Optional factory programmed dimming profile
- Surge protection: 10kA in parallel
- SF for 120, 277, 347 Line volts
DF for 208, 240, 480 Line volts
- Wiring: No. 18AWG rated 75°C wet rating, 90°C dry rating

CERTIFICATIONS

- Listed to UL1598 and CSA C22.2#250.0-24 for wet locations and 40°C ambient temperatures
- ADA compliant
- UL 924 Standard for Emergency Lighting and Power Equipment
- IP66 rated
- IK10 Impact resistant per EN 62262 and UV stable polycarbonate lens
- ANSI C136.31-2010 Vibration tested and compliant 3G
- ANSI C78.377.2008 Compliant
- ANSI C82.77.2002 Compliant
- RoHS compliant

WARRANTY

- 5 year warranty

KEY DATA	
LUMEN RANGE	1,800 – 12,600
WATTAGE RANGE	10 – 90
EFFICACY RANGE (LPW)	111.8 – 157.6
RATED LIFE (HOURS)	L70/60,000

PVNT
PREVENT LINEAR

ORDERING GUIDE

Example: PVNT-4-4-35-30K8-NDM-UNV-C-WHT-TR-NXW

CATALOG # _____

HOUSING

PVNT	Row Length (In Feet) ¹⁰	Length ¹⁰	Wattage/Lumen Output	SOURCE/CCT	Banding	Driver
Housing						
PVNT Prevent Linear	' Enter in foot increments	1 1' 2 2' 3 3' 4 4'	PVNT1 (1') 10 10W / 1,800 lm nominal 15 15W / 2,500 lm nominal PVNT2 (2') 15 10W / 2,600 lm nominal 25 25W / 3,800 lm nominal 40 40W / 5,700 lm nominal PVNT3 (3') 25 25W / 4,000 lm nominal 45 45W / 6,700 lm nominal 65 65W / 9,500 lm nominal PVNT4 (4') 35 35W / 5,300 lm nominal 55 55W / 7,700 lm nominal 70 70W / 10,100 lm nominal 90 90W / 12,600 lm nominal	White LED 27K8 2700 K 80 CRI Ra min 27K9 2700 K 90 CRI Ra /50R9 min 30K8 3000 K 80 CRI Ra min 30K9 3000 K 90 CRI Ra /50R9 min 35K8 3500 K 80 CRI Ra min 35K9 3500 K 90 CRI Ra /50R9 min 40K8 4000 K 80 CRI Ra min 40K9 4000 K 90 CRI Ra /50R9 min 50K8 5000 K 80 CRI Ra min 50K9 5000 K 90 CRI Ra /50R9 min SpectraSync ⁴ SS2750T8 SpectraSync 2700K-5000K 80 CRI SS2750T9 SpectraSync 2700K-5000K 90 CRI SS2765T8 SpectraSync 2700K-6500K 80 CRI SS2765T9 SpectraSync 2700K-6500K 90 CRI	Blank No Banding B Banding	D01 1% Dimming, 0-10V ⁹ D00 1% Dim-to-Off, 0-10V D05 5% Dimming, 0-10V DS1 1% Dimming w/ Soft Start, 0-10V DSO 1% Dim-to-Off w/ Soft Start, 0-10V ⁹ NDM Non-Dimming

Voltage	End Caps	Application	Color	Options	Control Options
UNV 120-277V 347 347V 480 480V	C Captive endcap with recessed tamper resistant fasteners D Decorative endcap - concealed fasteners	Blank Standard CGF Coastal Grade Finish	BLS Black Gloss Smooth BLT Black Matte Textured DBS Dark Bronze Gloss Smooth DBT Dark Bronze Matte Textured GTT Graphite Matte Textured LGS Light Gray Smooth PSS Platinum Silver Smooth WHS White Gloss Smooth WHT White Matte Textured VGS Verde Green Smooth LEG Legacy Color CC Custom Color ³	TR Tamper Resistant Stainless Steel Fasteners Electrical DSW Dual Circuit Wiring (for dual switches) EM 10W battery ^{5,6} DTS Dimming Bypass Module for emergency power circuit ⁶ SF Single Fuse for 120 or 277V DF Double Fuse for 208, 240, or 480V	Integrated Sensor Controls OCM Occupancy Sensor Microwave - Integrated ⁷ Integrated NX Networked - Wireless NXW NX Networked Wireless Radio Module NXRM2 and Bluetooth Programming, without Sensor NXWOM NX Networked Wireless Enabled Integral NXSMP2-OMNI PIR Occupancy Sensor with Automatic Dimming Photocell and Bluetooth Programming

Notes:

- Consult factory, Pendant mount can be used in indoor or damp locations only. When mounted outdoors entire luminaire should be flat against mounting surface.
- Order separately.
- Consult factory for custom color, marine and corrosive finish options.
- Not available for 1ft fixture. Operating temperature limit is 0° C to 50° C.
- Not available for 347V/480V.
- Only available for UNV.
- Center piece available in 1ft, 2ft, 3ft and 4ft lengths.
- DS1 and DSO not available for 1ft fixture with DSW option
- Length of Continuous Run must be in increments of 3' or 4' in coordination with Wattage/ Lumen Output selected. Max Length of row using 4' increments is 92'; Max Length of row using 3' increments is 93'. Refer to Electrical Data table.
- Ordered only as replacement; 1 connector included with Continuous Run configuration.
- Contact Factory for pattern configurations. Approval drawings required.

Configuration Accessories ACC-O	Mounting Options
TMPLT-CMT PVNT Mounting template	SS12(YY) † 12" Pendant with 45° swivel, 2 pcs included
PVNTI (YY) † I connector for continuous run ^{2,11}	SS24(YY) † 24" Pendant with 45° swivel, 2 pcs included
PVNTL (YY) † L connector for continuous run ^{2,12}	SS36(YY) † 36" Pendant with 45° swivel, 2 pcs included
PVNTT (YY) † T connector for continuous run ^{2,12}	SS (XX) (YY) † Pendant with Swivel (XX = length up to 48", 2 pcs included ¹
PVNTX (YY) † X connector for continuous run ^{2,12}	†YY = Paint color
PVNTCEN (YY) † Center piece connector unlit ^{2,8,12}	
PVNTCM (YY) † Corner Mount ²	
†YY = Paint color	

Pendant mount can be used in indoor or damp locations only. When mounted outdoors entire luminaire should be flat against mounting surface.

PVNT

PREVENT LINEAR

DELIVERED LUMENS

Section Length	Nominal Lumen Package	Nominal Watts	2700K 80CRI		3000K 80 CRI		3500K 80 CRI		4000K 80 CRI		5000K 80 CRI	
			Lumen (lm)	Efficacy (lm/W)	Lumen (lm)	Efficacy (lm/W)	Lumen (lm)	Efficacy (lm/W)	Lumen (lm)	Efficacy (lm/W)	Lumen (lm)	Efficacy (lm/W)
1 FT	1,800	10	1631	118.8	1631	118.8	1721	125.3	1781	129.7	1837	133.8
	2,500	15	2268	125.0	2268	125.0	2394	131.9	2477	136.6	2555	140.8
2 FT	2,600	15	2344	133.2	2345	133.2	2474	140.6	2560	145.5	2641	150.1
	3,800	25	3491	129.5	3492	129.5	3684	136.7	3813	141.4	3933	145.9
	5,700	40	5183	136.1	5184	135.7	5470	143.1	5661	149.2	5839	152.2
3 FT	4,000	25	3698	139.9	3699	139.9	3903	147.7	4039	152.8	4166	157.6
	6,700	45	6169	134.7	6170	134.7	6511	142.2	6738	147.1	6950	151.7
	9,500	65	8719	130.6	8720	130.6	9201	137.8	9523	142.6	9822	147.1
4 FT	5,300	35	4884	135.8	4885	135.8	5154	143.3	5334	148.3	5502	153.0
	7,700	55	7020	132.5	7022	132.5	7409	139.8	7668	144.7	7909	149.2
	10,100	70	9291	129.0	9293	129.1	9806	136.2	10148	140.9	10467	145.4
	12,600	90	11530	128.5	11532	128.5	12168	135.6	12593	140.4	12989	144.8

ELECTRICAL DATA

PREVENT POWER LOAD MATRIX (7 A MAX AMPERAGE)					
SIZE (FT)	LUMEN POWER LEVEL (LM)	LOAD (A)	SYSTEM POWER (W)	MAX MATED UNITS	TOTAL FEET
1	1800	0.12	13.7	58	58
	2500	0.16	18.1	45	45
2	2600	0.15	17.6	46	92
	3800	0.23	27.0	30	60
	5700	0.33	38.4	21	42
3	4,000	0.22	26.4	31	93
	6,700	0.39	45.8	18	54
	9,500	0.58	66.8	12	36
4	5,300	0.31	36.0	23	92
	7,700	0.46	53.0	15	60
	10,100	0.61	72.0	11	44
	12,600	0.76	89.7	9	36

CRI LUMEN MULTIPLIERS

OPTION	2700K	3000K	3500K	4000K	5000K
90 CRI	0.8863	0.8836	0.9051	0.9067	0.9134

LUMEN MAINTENANCE

PROJECTED LUMEN MAINTENANCE (25°C / 77°F)						
HOURS	0	25,000	36,000	50,000	100,000	REPORTED L70
Projected Lumen Maintenance	100%	96.9%	96.2%	95.2%	91.9%	>60,000

PVNT

PREVENT LINEAR

CONTROLS

NX Lighting Controls:

Supports both indoor and outdoor applications in a variety of deployment options- wired, wireless, hybrid. Integrates with and enables a wide array of luminaires.



NX INTEGRATED CONTROLS REFERENCE								
NX OPTION	SENSOR	NETWORKABLE	SCHEDULING	OCCUPANCY	DAYLIGHT HARVESTING	0-10V DIMMING	ON/OFF CONTROL	BLUETOOTH® APP PROGRAMMING
NXW	N/A	Yes	Yes	No	No	Yes	Yes	Yes
NXWOM	NXSMP2-OMNI	Yes	Yes	Yes	Yes	Yes	Yes	Yes

SPECTRASYNC DELIVERED LUMENS

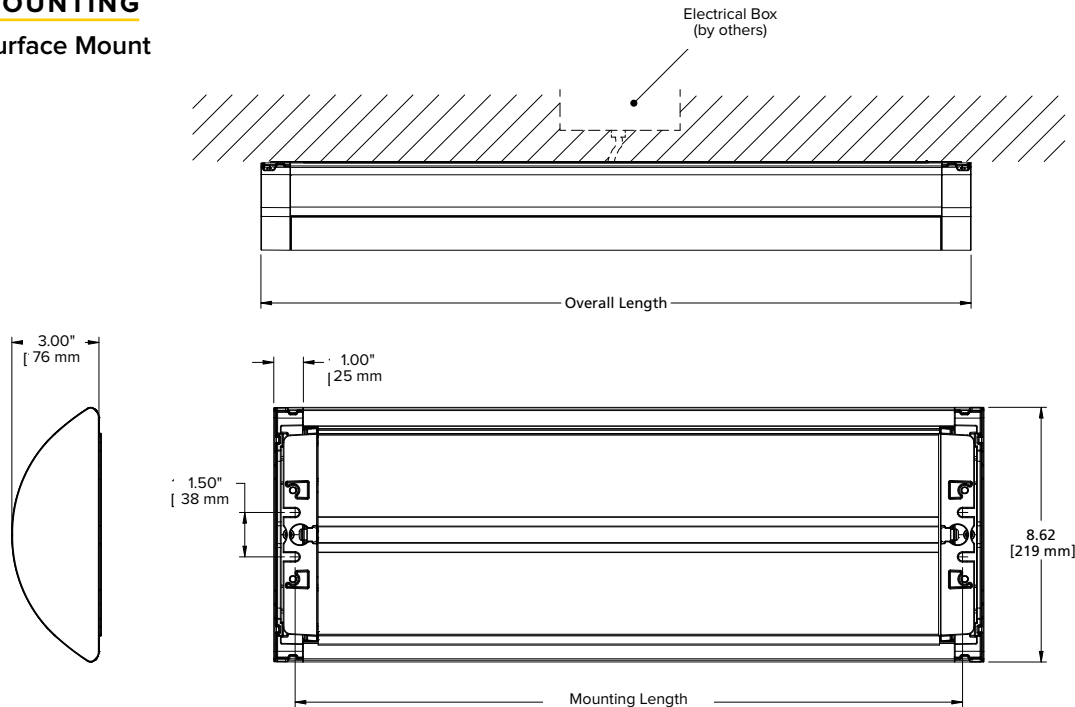
SECTION LENGTH	NOMINAL LUMEN PACKAGE	NOMINAL WATTS	2700K		3000K		3500K		4000K		5000K		6000K		6500K	
			LUMENS	LPW	LUMENS	LPW	LUMENS	LPW	LUMENS	LPW	LUMENS	LPW	LUMENS	LPW	LUMENS	LPW
1 FT	2,500	15	2255	114.4	2268	115.1	2289	116.1	2308	117.1	2341	118.8	2359	119.7	2387	121.1
2 FT	5,700	40	5115	127.0	5145	128.0	5192	129.4	5235	130.7	5310	133.2	5351	134.5	5414	136.1
3 FT	9,500	65	8669	123.6	8720	124.4	8800	125.5	8873	126.5	9000	128.3	9069	129.3	9176	130.9
4 FT	12,600	90	11465	122.6	11532	123.3	11637	124.4	11734	125.5	11902	127.3	11994	128.2	12135	129.7

SPECTRASYNC ELECTRICAL DATA

POWER LOAD MATRIX (7A MAX AMPERAGE)						
SIZE (FT)	LUMEN POWER LEVEL [LM]	PROGRAMMED CURRENT [mA]	LOAD [A]	SYSTEM POWER [W]	MAX MATED UNITS	SYSTEM POWER [W]
1ft	2500	480	0.17	19.7	41	19.7
2ft	5700	774	0.34	40.0	20	40.0
3ft	9500	1,200	0.60	70.1	12	70.1
4ft	12600	2 x 800	0.80	93.5	9	93.5

MOUNTING

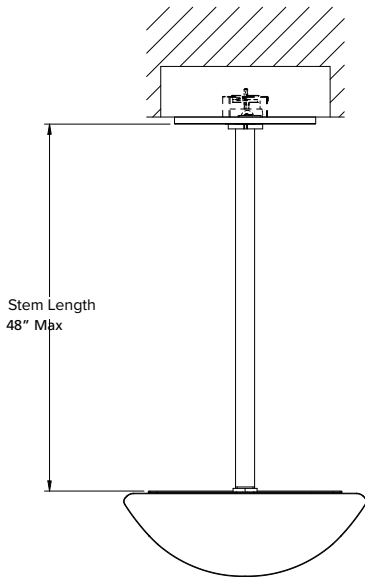
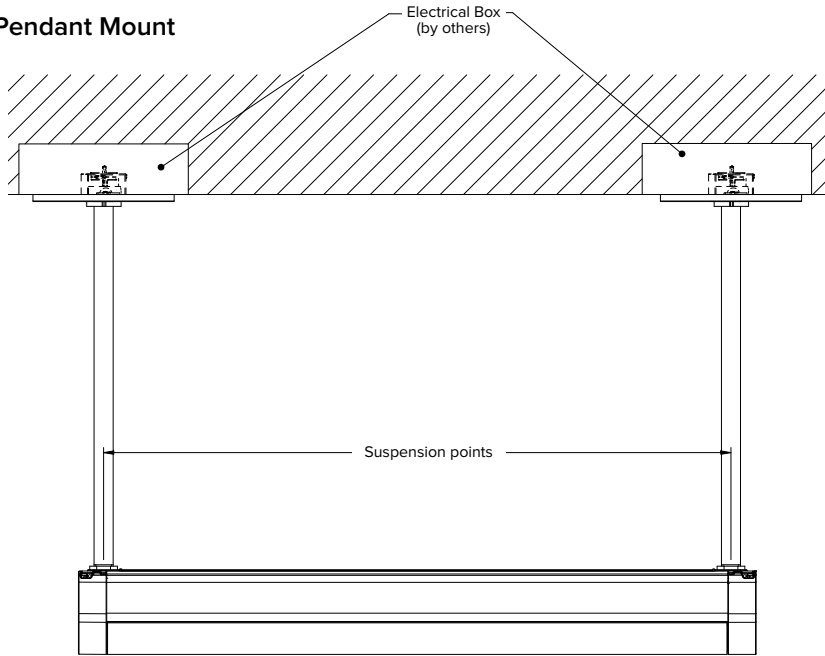
Surface Mount



SURFACE MOUNT		
Fixture Size	Overall Length	Mounting Length
1ft	12" (305 mm)	10.75" (273 mm)
2ft	24" (610 mm)	22.75" (578 mm)
3ft	36" (914 mm)	34.75" (883 mm)
4ft	48" (1219 mm)	46.75" (1187 mm)

MOUNTING (CONTINUED)

Pendant Mount



PENDANT MOUNT	
Fixture Size	Suspension Points
1ft	10.25" (260 mm)
2ft	22.25" (565 mm)
3ft	34.25" (870 mm)
4ft	46.25" (1175 mm)

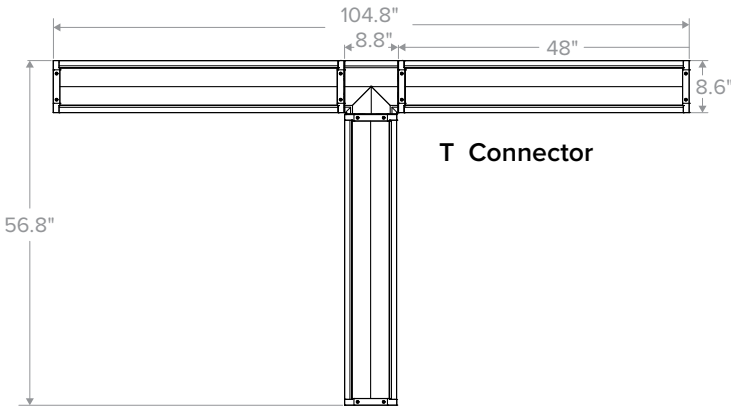
Pendant mount can be used in indoor or damp locations only. When mounted outdoors entire luminaire should be flat against mounting surface.

PVNT

PREVENT LINEAR

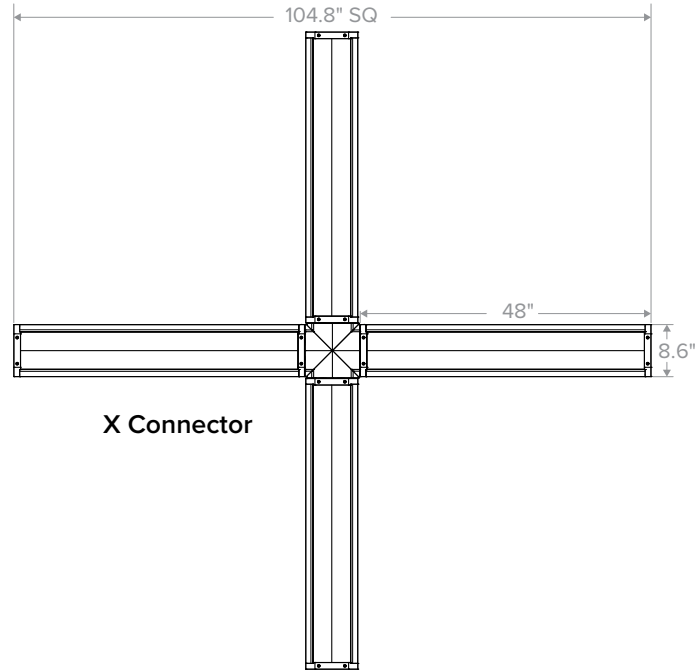
MOUNTING (CONTINUED)

Pattern Mount



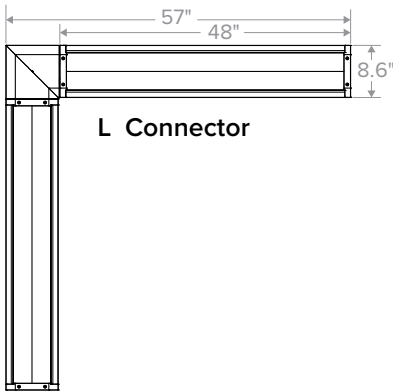
T Connector

4 Ft fixture shown for reference.



X Connector

4 Ft fixture shown for reference.



L Connector

4 Ft fixture shown for reference.

Continuous Run:

L,T,X options are only available for 3ft and 4ft fixtures, Consult factory.

All fixtures must be same size, and wattage.

Reference tables below for limitations.

PVNT

PREVENT LINEAR

MOUNTING (CONTINUED)

End Cap Option D



Decorative Cover



Once you press down on it, cover will release



Fixture hinges along the housing

End Cap Option C



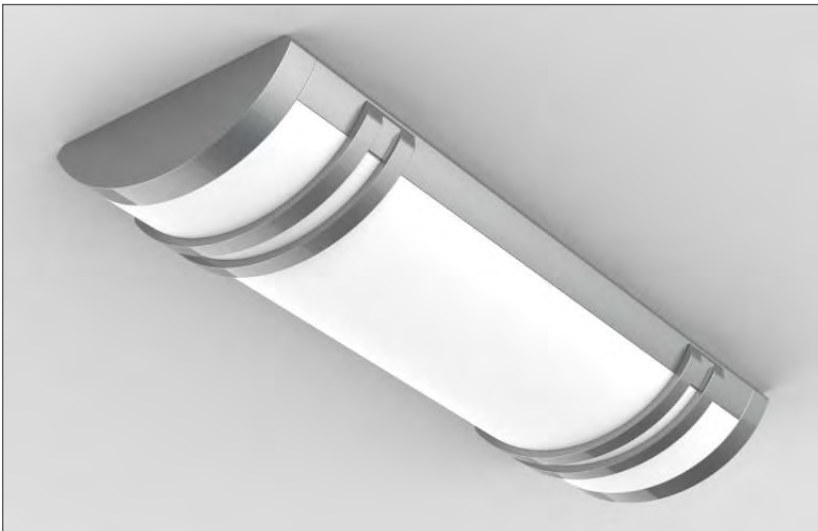
Captive Cover



Lens frame will release once the screws have been loosened. The tamper resistant hardware is captured in the lens frame.

LENS OPTION

Banding (B) Lens Option Example



PVNT

PREVENT LINEAR

PHOTOMETRY

PVNT-4-4-90-40K8

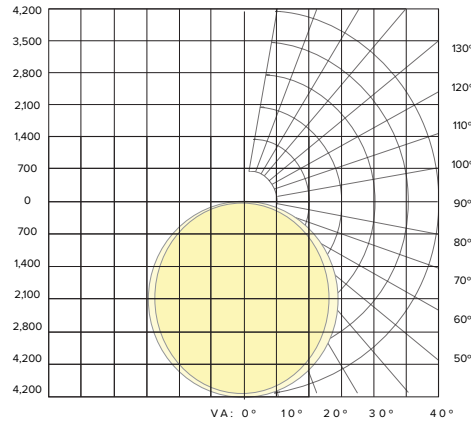
LUMINAIRE DATA

Description	4000K, 80CRI
Delivered Lumens	12593
Watts	89.72
Efficacy	140.4

ZONAL LUMEN SUMMARY

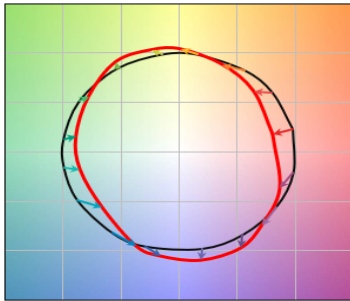
Zone	Lumens	% Luminaire
0-30	3,203	25.4%
0-40	5,211	41.4%
0-60	9,127	72.5%
60-90	2,995	23.8%
90-180	471	3.7%
Total Flux	12,593	100%

ISOFOOT CANDLE PLOT



TM-30 DATA

COLOR VECTOR GRAPHIC

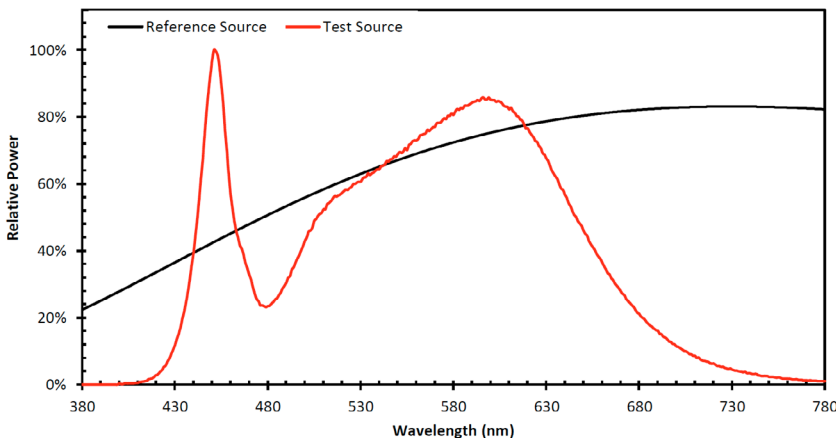


*Graphics shown are at 40K

— Reference Illuminant — Test Source

TEST RESULTS - 4000K	
Value	80+ CRI
CCT (K)	3982
CIE R _a	73
D _{uv}	0.0014
R _f	72
R _g	93
x	0.3822
y	0.3808

SPECTRAL POWER DISTRIBUTION COMPARISON



This chart displays the spectral power distributions for the test and reference source. Each SPD has been normalized so that the maximum values is 100%.