

# Minivault LTV767

120-277 VOLT DIE-CAST BRASS LED

Type:

Job:

Fixture Catalog number:

\_\_\_\_\_/\_\_\_\_\_/\_\_\_\_\_  
 Fixture Mode Ordered assembled with fixture

Fixture Options:

\_\_\_\_\_  
 Ordered Separately from Fixture  
 See pages 2-3

Approvals:

Date:  
 Page: 1 of 3

## Specifications

**Lens Ring:** Die-cast brass with natural finish. (Optional standard stainless steel lens ring is also available.) Five captive 1/4" blackened stainless steel hex-socket cap screws.

**Lens:** Clear tempered soda lime, 3/16" thick, flush with lens ring, slightly crowned.

**Lens Gasket:** One-piece molded silicone, U-channel wraps completely around lens flange.

**Housing:** Heavy wall die-cast brass.

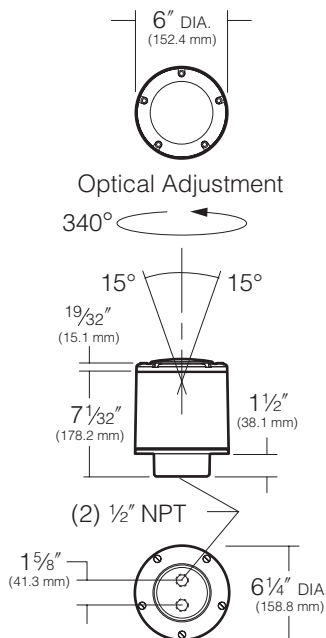
**Integral Junction Box:** Die-cast brass with stainless steel flat head slotted screws and molded silicone gasket. Die-cast internal junction box cover with silicone gasket and anti-siphon plug, two 1/2" NPT taps in bottom, 12 cu in. volume.

**Optical System:** 6 LED emitters configured in a circular array, mounted on yoke providing ±15° vertical adjustment and 340° rotation, with locking screws. Available in 3000K, 4000K, and 5000K.

**LED Driver:** Electronic driver. 0°F. starting temperature. All drivers are Underwriters Laboratories recognized.

**Wiring:** Anti-siphon barrier on wiring to and from splice compartment. All components wire linked for ground, quick-disconnect for removal of optical system.

**Distribution:** Specify "SP" for spot distributions; specify "NF" for narrow flood distributions.



## ORDERING INFORMATION

Fixture <sup>1</sup>	Source <sup>2</sup>
<input type="checkbox"/> LTV767SP / 6L3KUV	9.6W, 6 LED's, 3000K
<input type="checkbox"/> LTV767SP / 6L4KUV	9.6W, 6 LED's, 4000K
<input type="checkbox"/> LTV767SP / 6L5KUV	9.6W, 6 LED's, 5000K
<input type="checkbox"/> LTV767NF / 6L3KUV	9.6W, 6 LED's, 3000K
<input type="checkbox"/> LTV767NF / 6L4KUV	9.6W, 6 LED's, 4000K
<input type="checkbox"/> LTV767NF / 6L5KUV	9.6W, 6 LED's, 5000K

<sup>1</sup> SP = Spot, NF = Narrow Flood

<sup>2</sup> .07 Max Amps.



6 Emitters LED  
 6 Watt

<sup>1</sup>Suitable for wet locations

KIM LIGHTING RESERVES THE RIGHT TO CHANGE SPECIFICATIONS WITHOUT NOTICE.

Listings and Ratings		
UL cUL 1598 <sup>1</sup>	IP68 Rated	25C Ambient

# Minivault LTV767

120-277 VOLT DIE-CAST BRASS LED

Type:

Job:



## Fixture Options

Ordered Separately from Fixture

<p><b>Brushed Stainless Steel Lens Ring</b></p> <p>Cat. No. <input type="checkbox"/> <b>SS60</b>  <input type="checkbox"/> <b>SS60 (Assembled)</b>  <input type="checkbox"/> <b>No Option</b></p>	<p>Brushed stainless steel lens ring replaces standard lens ring. Includes mounting screws.</p> <p>May be ordered separately. To order assembled with fixture, add to fixture <b>Cat. No.</b> - Example: <b>LTV767NF/6L5KUV/SS60</b>.</p> <p>Replaces standard lens ring.</p>	<p>6" DIA. (152.4 mm)</p>
<p><b>Half Shield</b></p> <p>Cat. No. <input type="checkbox"/> <b>HS60</b>  <input type="checkbox"/> <b>HS60 (Assembled)</b>  <input type="checkbox"/> <b>No Option</b></p>	<p>Lens ring for directional glare control toward the viewer. One-piece cast bronze, replaces standard lens ring. Includes glass lens gasket and mounting screws.</p> <p>May be ordered separately. To order assembled with fixture, add to fixture <b>Cat. No.</b> - Example: <b>LTV767NF/6L5KUV/HS60</b>.</p> <p>Replaces standard lens ring.</p> <p><b>NOTE:</b> Cast bronze only.</p>	<p>6" DIA. (152 mm)</p> <p>3" (76 mm)</p> <p><b>HS60</b></p>
<p><b>Rock Guard</b></p> <p>Cat. No. <input type="checkbox"/> <b>RG60</b>  <input type="checkbox"/> <b>RG60 (Assembled)</b>  <input type="checkbox"/> <b>No Option</b></p>	<p>Lens ring for lens protection in vandal prone areas. One-piece cast bronze, replaces standard lens ring. Includes glass lens gasket and mounting screws.</p> <p>May be ordered separately. To order assembled with fixture, add to fixture <b>Cat. No.</b> - Example: <b>LTV767NF/6L5KUV/RG60</b>.</p> <p>Replaces standard lens ring.</p> <p><b>NOTE:</b> Cast bronze only.</p>	<p>6" DIA. (152 mm)</p> <p>1 3/16" (30 mm)</p> <p><b>RG60</b></p>
<p><b>Trim Ring</b></p> <p>Cat. No. <input type="checkbox"/> <b>TR60</b>  <input type="checkbox"/> <b>No Option</b></p>	<p>For flush mounting of fixture in concrete pad or paving. Brass ring clamps to housing with stainless steel screw.</p> <p><b>NOTE:</b> Brass only.</p>	<p>6 1/4" DIA. (159 mm)</p> <p>2" (51 mm)</p> <p><b>TR60</b></p>

# Minivault LTV767

120-277 VOLT DIE-CAST BRASS LED

Type:

Job:



## Fixture Options

Ordered Separately from Fixture

### Lens Accessories

Cat. No. (See right)

No Option

**PL73 - Prismatic Lens:** Softens lamp distribution and flattens beam spread. Best with flood lamps. Inserts behind lens into lens gasket. Cannot be used in combination with **HL73** louver.

Cat. No.

**PL73** Prismatic Lens



**SL73 - Spread Lens:** Creates an oval beam pattern, more narrow in one beam axis. Best with spot lamps. Inserts behind lens into lens gasket. Cannot be used in combination with **HL73** louver.

Cat. No.

**SL73** Spread Lens



### Colored LEDs

Consult factory for color options.

# Minivault LTV767

120-277 VOLT DIE-CAST BRASS LED

Type:

Job:



## Lumen Data

### LTV767

Optical Module	Source	Color Temperature	Absolute Lumens	Center Beam Candle Power*	Voltage	Total System Watts	Max. Amps
SP	6L	3K	357	9891	UV	7.2W	.060 for 120V .035 for 208V .030 for 240V .026 for 277V
		4K	366	10146			
		5K	372	10288			
NF		3K	264	459			
		4K	271	470			
		5K	274	476			