

## FEATURES & SPECIFICATIONS

**INTENDED USE** — For building mount.

**CONSTRUCTION** — Body is constructed from A500 Grade B steel tubing. Welding follows industry standards best practices. Bracket is galvanized (per ASTM A-123) or painted after fabrication.

**FINISH** — Extra durable standard powder-coat finishes include Dark Bronze, White, Black, and Natural Aluminum colors. Architectural Colors and Special Finishes are available by quote and include, but are not limited to Hot-dipped Galvanized, Paint over Hot-dipped Galvanized, RAL Colors, Custom Colors and Extended Warranty Finishes. Factory-applied primer paint finish is available for customer field-paint applications.

**INSTALLATION** — Mounting hardware to be provided by installer and is determined by the wall type.

**WARRANTY** — 1-year limited warranty. Complete warranty terms located at: [www.acuitybrands.com/CustomerResources/Terms\\_and\\_conditions.aspx](http://www.acuitybrands.com/CustomerResources/Terms_and_conditions.aspx)

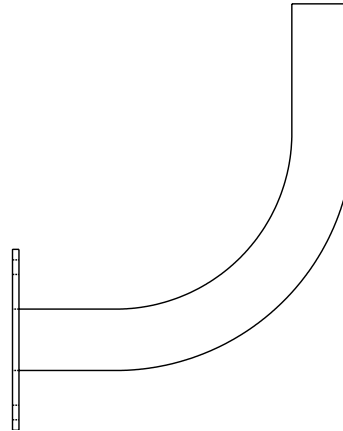
**NOTE:** Actual performance may differ as a result of end-user environment and application. Specifications subject to change without notice.

Catalog Number
Notes
Type

### Wall Mount Flood Right Angle Bracket

# FRWB

## STEEL FLOOD RIGHT ANGLE WALL BRACKET



### ORDERING INFORMATION

Lead times will vary depending on options selected. Consult with your sales representative.

**Example:** FRWB 8-8 TD25 DDBXD

FRWB				
Series	Tenon length/rise	Fixture tenon size <sup>2</sup>	Finish <sup>4</sup>	
FRWB	<u>Radius curve</u> (blank) 12" X 13" (8" radius curve) 24-36 24" X 36" (8" radius curve) <sup>1</sup> BH28 Two-tenon bullhorn (side by side) BH38 Three-tenon bullhorn (offset)  <u>90° angle</u> 8-8 8" x 8" (90° angle) 14-8 14" X 8" (90° angle) 22-34 22" X 34" (90° angle) <sup>1</sup>	(blank) TD20 2-3/8" O.D. TD25 2-7/8" O.D. <sup>3</sup>	<u>Super durable colors</u> DDBXD Dark bronze DBLXD Black DNAXD Natural aluminum DWHXD White DDBTXD Textured dark bronze DBLBXD Textured black DNATXD Textured natural aluminum DWHGXD Textured white  <u>Other finishes</u> GALV Galvanized steel	<u>Primer finish</u> DPRM Red primer  <u>Architectural colors and special finishes</u> Paint over galvanized, RAL colors, custom colors and extended warranty finishes available.

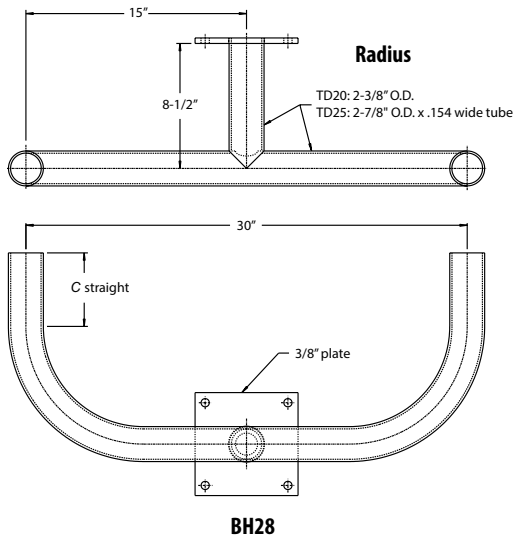
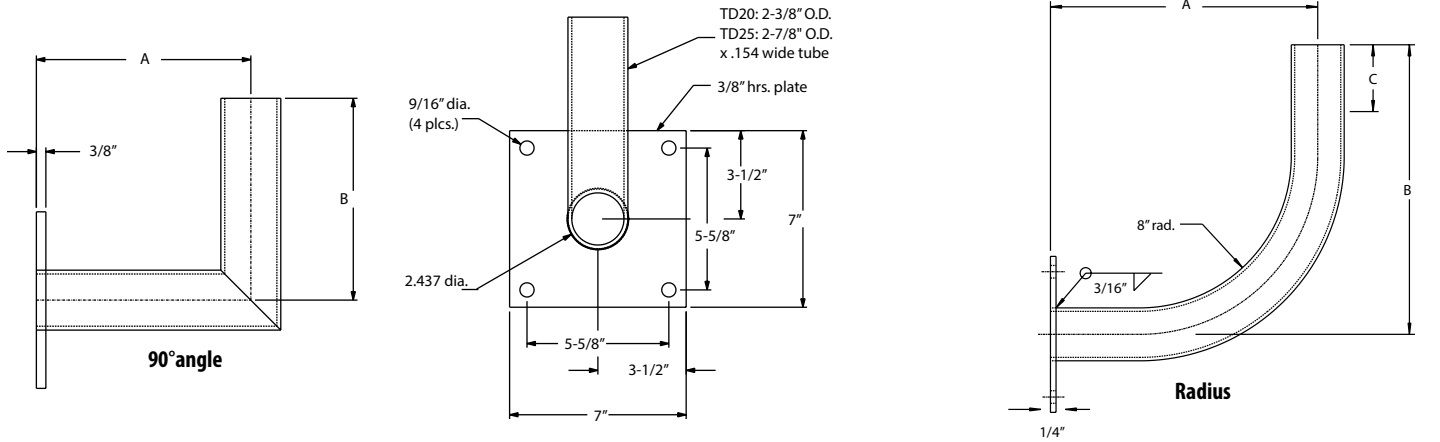
### NOTES:

- Includes backup plate.
- Tubing O.D will be the same for all tenons on the specified bracket. Reference fixture spec sheet for O.D. requirements.
- Only available with 90° angle Tenon length/rise option.
- Finish must be specified. Additional colors available; see Architectural Colors brochure linked [here](#) (Form No. 794.3).

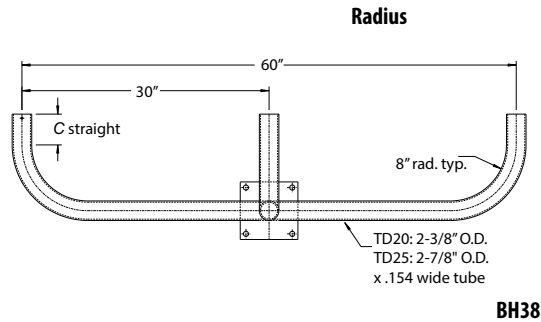
### Stock Configurations

Stock part number	Long Description
FRWB DDB U	12" X 13" (8" radius curve); TD20 tenon size

# FRWB Flood Right Angle Wall Bracket, Building Mount



**BH28**



**BH38**

FRWB (Flood Right Angle Wall Bracket) - TECHNICAL INFORMATION										
Lithonia Lighting Catalog Number	Nominal arm length (in.)	Dimensions (inches)			Bracket weight (lbs.)	Max Per Fixture EPA with AASHTO 2013			Max. per fixture weight (lbs.)	Max Mounting Height (ft)
		A	B	C		100MPH	120MPH	150MPH		
FRWB	1	12	13	3	12	8.0	8.0	8.0	85	50
FRWB 8-8	2/3	8	8	-	10	8.0	8.0	8.0	85	50
FRWB 14-8	1-1/4	14	8	-	12	8.0	8.0	8.0	85	50
FRWB 22-34	2	22	34	-	35	8.0	8.0	5.6	85	50
FRWB 24-36	2	24	36	-	35	8.0	8.0	5.6	85	50
FRWB BH28	2/3	8	13	3	23	8.0	7.4	4.7	85	50
FRWB BH38	1	12	13	3	36	8.0	6.0	3.9	85	50

**IMPORTANT:**

- These specifications are intended for general purposes only. Lithonia Lighting reserves the right to change material or design, without prior notice, in a continuing effort to upgrade its products.

**CAUTION:**

- The arms described herein are designed for applications in areas of normal winds. Consult the factory prior to the design of systems to be mounted on structures such as bridges or buildings, or areas known to have abnormal winds such as airports or coastal areas. Failure to consider these factors in the system design could result in the failure of the pole or mast arm, and consequently personal injury or property damage.