

# Installation Instructions

ASB

**READ AND FOLLOW ALL SAFETY INSTRUCTIONS!  
SAVE THESE INSTRUCTIONS AND DELIVER TO OWNER AFTER INSTALLATION**

## IMPORTANT SAFETY INSTRUCTIONS

### **▲WARNING**

**To reduce the risk of death, injury or property damage from fire, electric shock, cuts, abrasions, falling parts, and other hazards:**

- Service of the equipment must be performed by qualified service personnel.
- Installation and maintenance must be performed by a person familiar with the construction and operation of this product and any hazards involved. All applicable codes and ordinances must be followed.
- Read this document before installing, servicing, or maintaining this equipment or installing a lamp. These instructions do not cover all installation, service, and maintenance situations. If your situation is not covered, or if you do not understand these instructions or additional information is required, contact *Lithonia Lighting* or your local *Lithonia Lighting* Distributor.
- Read and follow all warnings and instructions provided by the lamp manufacturer.

### **▲WARNING**

**Before installing, servicing, or maintaining this equipment, follow these general precautions.**

**To reduce the risk of electrocution:**

- Make sure the equipment is properly grounded.
- Always de-energize the circuit and/or equipment before connecting to, disconnecting from, or servicing the equipment.

**To reduce the risk of fire:**

- Keep material away that can burn from hot lamp.
- Make sure lamps are correctly installed.
- Use supply conductors with a minimum installation temperature rating as specified on equipment.

**To reduce the risk of personal injury from cuts, abrasions, or falling parts:**

- Wear gloves to prevent cuts or abrasions from sharp edges when removing from carton, handling and maintaining this equipment.
- Do not use abrasive materials, glass cleaners or other solvents on reflector or lens. These substances may damage equipment and cause parts to eventually break and fall.
- Do not install a damaged fixture.

**▲CAUTION:** Observe lamp manufacturer's recommendations and restrictions on lamp operation, including but not limited to ballast type, burning position, replacement and cycling. Use only lamps that comply with applicable ANSI standards.

**NOTICE:** If lamp is marked  it contains mercury. Follow disposal laws. See [www.lamprecycle.org](http://www.lamprecycle.org)

*Lithonia Lighting*, a division of *Acuity Brands Lighting*, Inc., assumes no responsibility for claims arising out of improper or careless installation or handling of this product.

**SAVE THESE INSTRUCTIONS**

# Installation Instructions

## ASB

**DELIVERY:** Upon receipt of fixture and accessories (packed separately), thoroughly inspect for any freight damage. All damage should be reported to the delivery carrier. Compare the catalog description listed on the packing slip with the fixture label on the inside of the housing to be sure you have received the correct merchandise.

1. **UNPACK:** Leave protective covering on fixture. Lay the fixture on its side. At the bottom of the fixture, loosen the (4) 3/8" set bolts with a 3/16" Allen wrench to disengage the cast baseplates. Keep set bolts for reinstallation.

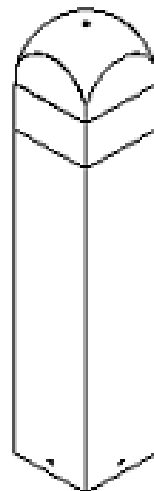
2. Make sure conduit does not extend more than 2-1/2" above concrete.

3. Remove the (4) top nuts and washers from the anchor bolts (Keep set bolts for reinstallation). Place the cast baseplate on top of the leveling nuts, with the embossed letters stated "DOWN" facing toward the concrete. Place a hand level across the cast baseplate and level the base by using the leveling nuts. Check the level in both directions from 90° from each other, and then reinstall top washers and nuts on anchor bolts. Before tightening anchor bolt nuts make sure baseplate is aligned to the desired orientation along curb or walkway. Tighten anchor bolt nuts (do not over tighten, over tightening will cause stripping and void all warranties).

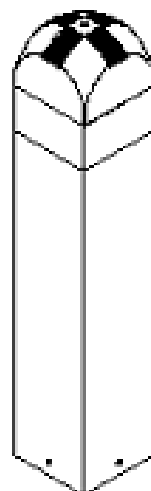
4. After baseplate is installed, wiring connections can be made. **NOTE:** on multiple-voltage fixtures insulate all unused fixture wires individually using wire nuts (not provided). Make certain all power is disconnected before making wiring connections.

5. After wiring is done, the bollard should be carefully placed over the baseplate. Make sure the bollard is vertically aligned and seated on the baseplate. At this point, the 3/8" set bolts can be tightened (do not over tighten, over tightening will cause stripping and void all warranties). Each set bolt should be tightened a little at a time. Make one last check to see that the set bolts are tight and the bollard is plumb, and sides are aligned with sidewalk or curb.

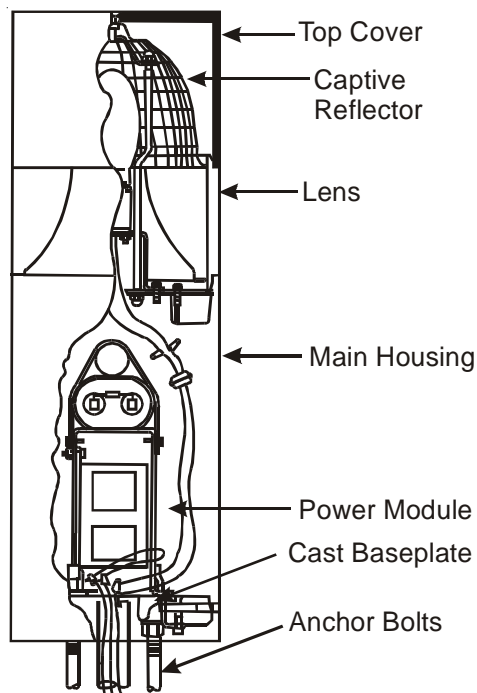
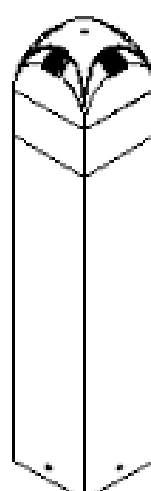
ASBX



ASBY



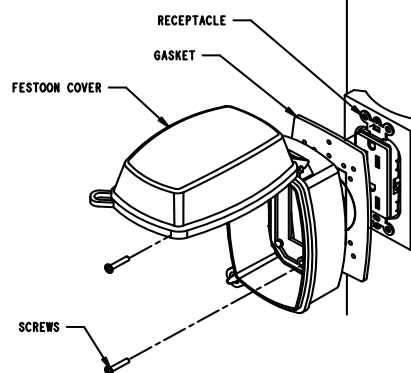
ASBZ



6. Next, loosen the top screw using a 5/32" Allen wrench. Note the top bolt is captive and does not completely remove. Remove top cover and any plastic protective covering. Lamp the fixture following lamp installation instructions below. Replace the top cover making sure top cover is seated over lens before tightening top screw (overtightening will void all warranties). It may be easier to fit the lens into the top, and holding them as a unit, set them into place.

### FESTOON OUTLET (See Figure below; Not to Scale)

Follow the instruction sheets supplied with the festoon outlet for proper installation.



**Lamp Installation:** Prior to installing the lamp in the fixture, check to make sure the lamp is the correct source and wattage. Screw the lamp securely into the socket, back it out one or two turns, then screw lamp back in, making sure it is secure. This procedure properly seats lamp in the socket.

**Multi-tap Ballast (TB):** The multi-tap ballast will be prewired for 277V at the factory. This option offers multi voltage capability. First determine the correct line voltage. Then select the corresponding fixture voltage lead, remove the crimped cap and connect to the supply voltage lead. The fixture lead marked COM should be connected to the neutral supply lead for 120 or 277. For 208 or 240, connect the other incoming hot leg to the fixture lead marked "COM". Be sure to cap off all unused fixture leads individually.

**Troubleshooting:** If this fixture fails to operate properly, check to make sure: The proper lamp is installed correctly. • The fixture is wired correctly. • The lamp is not faulty. • The fixture is grounded correctly. • The line voltage at the fixture is correct. If all these variables have been checked and the fixture still does not operate as specified, contact your local Lithonia Lighting distributor.



An Acuity Brands Company

©2001 Acuity Brands Lighting, Inc.

All Rights Reserved. Rev. 02/10

Lithonia Lighting Outdoor

One Lithonia Way, Conyers, GA 30012

Phone: 800-279-8041 Fax: 770-918-1209

www.lithonia.com

Part Number: RJ521309 Rev B

Revision Date: 3/8/10