

# Installation Guide

READ AND FOLLOW ALL SAFETY INSTRUCTIONS!  
SAVE THESE INSTRUCTIONS AND DELIVER TO OWNER AFTER  
INSTALLATION

- To reduce the risk of death, personal injury or property damage from fire, electric shock, falling parts, cuts/abrasions, and other hazards please read all warnings and instructions included with and on the fixture box and all fixture labels.
- Before installing, servicing, or performing routine maintenance upon this equipment, follow these general precautions.
- Installation and service of luminaires should be performed by a **qualified licensed electrician**.
- Maintenance of the luminaires should be performed by person(s) familiar with the luminaires' construction and operation and any hazards involved. Regular fixture maintenance programs are recommended.
- It will occasionally be necessary to clean the outside of the refractor/lens. Frequency of cleaning will depend on ambient dirt level and minimum light output which is acceptable to user. Refractor/lens should be washed in a solution of warm water and any mild, non-abrasive household detergent, rinsed with clean water and wiped dry. Should optical assembly become dirty on the inside, wipe refractor/lens and clean in above manner, replacing damaged gaskets as necessary.
- **DO NOT INSTALL DAMAGED PRODUCT!** This luminaire has been properly packed so that no parts should have been damaged during transit. Inspect to confirm. Any part damaged or broken during or after assembly should be replaced.
- Recycle: For information on how to recycle LED electronic products, please visit [www.epa.gov](http://www.epa.gov).
- These instructions do not purport to cover all details or variations in equipment nor to provide every possible contingency to meet in connection with installation, operation, or maintenance. Should further information be desired or should particular problems arise which are not covered sufficiently for the purchaser's or owner's purposes, this matter should be referred to Acuity Brands Lighting, Inc.



WARNING  
RISK OF ELECTRIC

- Disconnect or turn off power before installation or servicing.
- Verify that supply voltage is correct by comparing it with the luminaire label information.
- Make all electrical and grounded connections in accordance with the National Electrical Code (NEC) and any applicable local code requirements.
- All wiring connections should be capped with UL approved recognized wire connectors.



WARNING  
RISK OF BURN

- Disconnect or turn off power before installation or servicing.
- Verify that supply voltage is correct by comparing it with the luminaire label information.
- Make all electrical and grounded connections in accordance with the National Electrical Code (NEC) and any applicable local code requirements.
- All wiring connections should be capped with UL approved recognized wire connectors.



CAUTION

- Wear gloves and safety glasses at all times when removing luminaire from carton, installing, servicing or performing maintenance.
- Avoid direct eye exposure to the light source while it is on.



CAUTION

- Keep combustible and other materials that can burn, away from lamp/lens.
- Do not operate in close proximity to persons, combustible materials or substances affected by heat or drying.

# Installation Guide



**CAUTION:**  
RISK OF PRODUCT

- Never connect components under load.
- Do not mount or support these fixtures in a manner that can cut the outer jacket or damage wire insulation.
- Unless individual product specifications deem otherwise: Never connect an LED product directly to a dimmer packs, occupancy sensors, timing devices, or other related control devices. LED fixtures must be powered directly off a switched circuit.
- Unless individual product specifications deem otherwise: Do not restrict fixture ventilation. Allow for some volume of airspace around fixture. Avoid covering LED fixtures with insulation, foam, or other material that will prevent convection or conduction cooling.
- Unless individual product specifications deem otherwise: Do not exceed fixtures maximum ambient temperature.
- Only use fixture in its intended location.
- LED products are Polarity Sensitive. Ensure proper Polarity before installation.
- Electrostatic Discharge (ESD): ESD can damage LED fixtures. Personal grounding equipment must be worn during all installation or servicing of the unit.
- Do not touch individual electrical components as this can cause ESD, shorten lamp life, or alter performance.
- Some components inside the fixture may not be serviceable. In the unlikely event your unit may require service, stop using the unit immediately and contact an ABL representative for assistance.
- Always read the fixtures complete installation instructions prior to installation for any additional fixture specific warnings.

**Please see product specific installation instructions for additional warnings or any applicable FCC or other regulatory statements.**

**Failure to follow any of these instructions could void product warranties. For a complete listing of product Terms and Conditions, please visit [www.acuitybrands.com](http://www.acuitybrands.com).**

Indoor/Outdoor	Indoor Lighting	Outdoor Lighting	Controls
Lithonia Lighting	Gotham	American Electric Lighting	Dark to Light
Carandini	Mark Architectural Lighting	Antique Street Lamps	Lighting Control & Design
Holophane	Peerless	Hydrel	ROAM
RELOC	Renaissance Lighting	Tersen	Sensor Switch
	Winona Lighting		Synergy

**Acuity Brands Lighting, Inc. assumes no responsibility for claims arising out of improper or careless installation or handling of its products.**

ABL LED General Warnings, Form No. 503.203

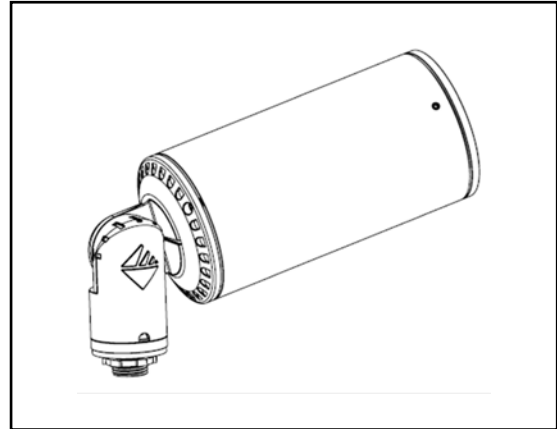
© 2019 Acuity Brands Lighting, Inc. All rights reserved. 07/31/19

# Installation Guide

3

## 1. INTRODUCTION

Specification Architectural Flood Model SAF1



### 1.1 Product Description

LED Accent Luminaire listed to applicable U.S. & Canadian safety standards by the Canadian Standards Association (CSA). This luminaire is suitable for ground, wall & pole mounting, as well as for wet location installations. This device complies with Part 15 of the FCC Rules. Operation is subject to the following two conditions: (1) Device may not cause harmful interference, and (2) Device must accept any interference received, including interference that may cause undesired operation.

### 1.2 Technical Information Sources

If additional questions arise relative to this luminaire that this document or your supplier cannot answer, please refer then to:

Architectural Technical Support – Hydrel (888) 834-5684,  
Press #5 for Hydrel

# Installation Guide

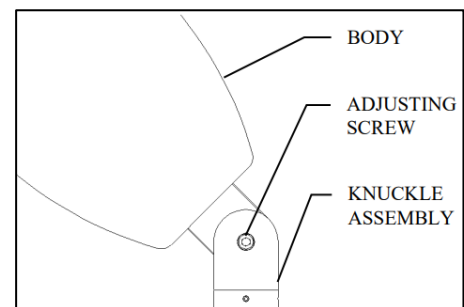
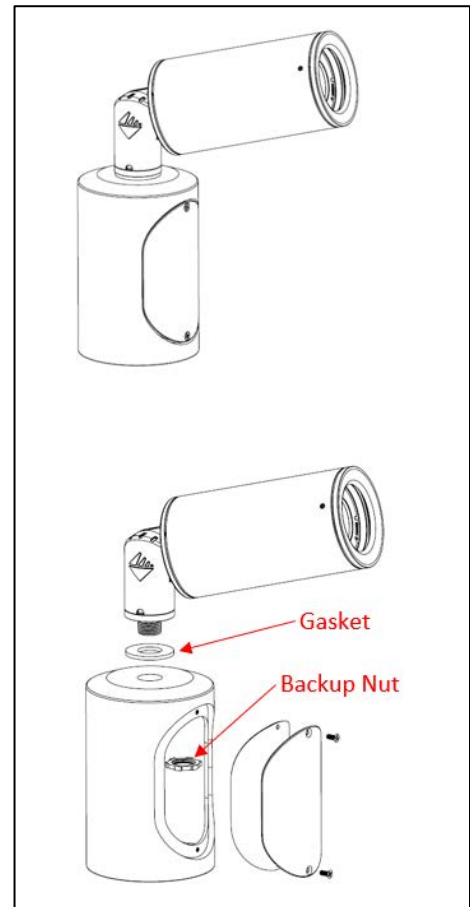
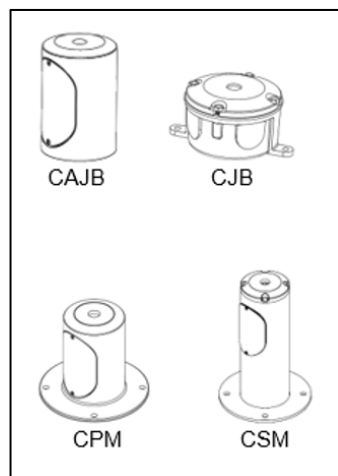
## 2. INSTALLATION

This Luminaire (Fixture) may be mounted directly onto a UL approved junction box, optional ground mounts, optional wall mounts, or optional pole mount.

### 2.1 Ground Mounting Example

Install mounting accessory of choice in desired location using appropriate fasteners (by others). Ground mounting options shown below (sold separately).

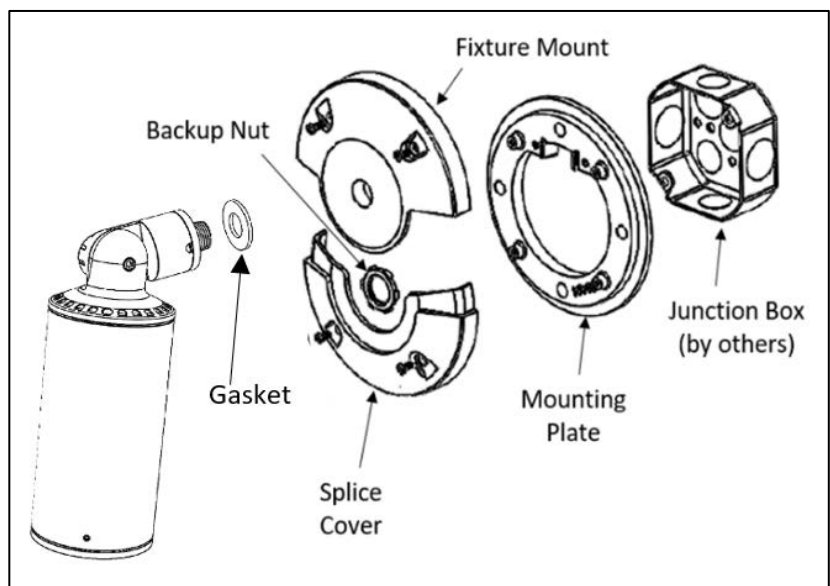
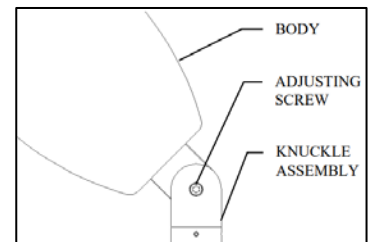
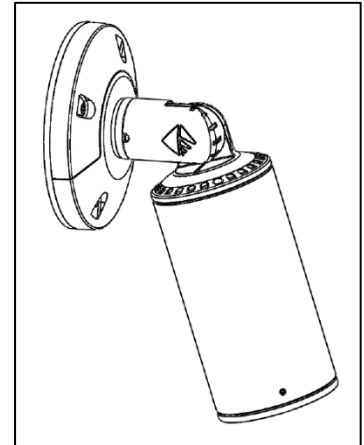
1. Open mounting accessory's splice compartment.
2. Position the luminaire on the mounting accessory, place knuckle threaded area through hole in mounting accessory (place gasket between knuckle's lower section and mounting accessory).
3. Secure the luminaire to the mounting accessory using the Backup Nut (Torque to 30 in-lb).
4. Make all wire connections with approved connectors.
5. Close mounting accessory's splice compartment.
6. Aim Luminaire: Loosen adjusting screw on Knuckle Assembly (Do not remove adjusting screw completely). Tilt Luminaire to desired angle. Tighten adjusting screw with Allen Wrench, with care not to over tighten screw.



# Installation Guide

## 2.2 Wall Mounting – AWSC Option

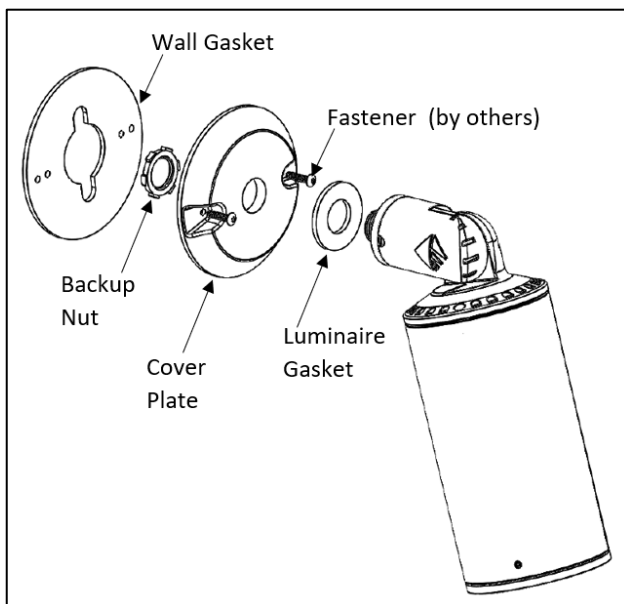
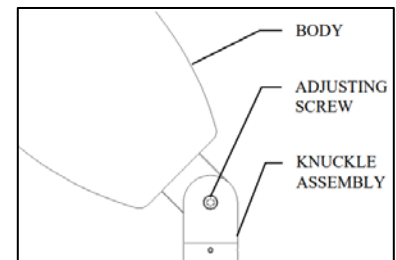
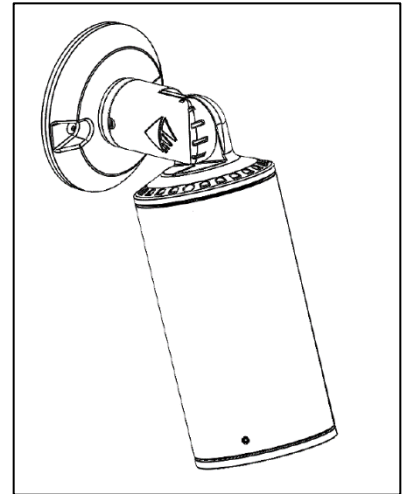
1. Attach Mounting Plate to mounting surface using appropriate fastener(s). (Fasteners by others)
2. Attach Splice Cover to Mounting Plate using provided fasteners.
3. Secure Luminaire to Fixture Mount: Ensure gasket is placed between the Luminaire and the Fixture Mount. Secure the Luminaire to the Fixture Mount using provided Backup Nut (Torque to 30 in-lb).
4. Route Luminaire wires to Junction Box and make all wiring connections.
5. Attach Luminaire & Fixture Mount to the Mounting Plate using provided fasteners (Torque to 25 in-lb).
6. Aim luminaire: Loosen adjusting screw on Knuckle Assembly with Allen Wrench (Do not remove adjusting screw completely). Tilt Luminaire to desired angle. Tighten adjusting screw with Allen Wrench, with care not to over tighten screw.
7. Apply silicone around perimeter of AWSC and Mounting Surface.



# Installation Guide

## 2.3 Wall Mounting – AWMC Option

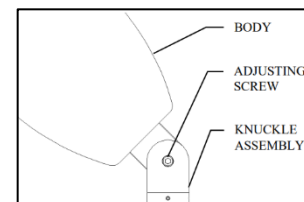
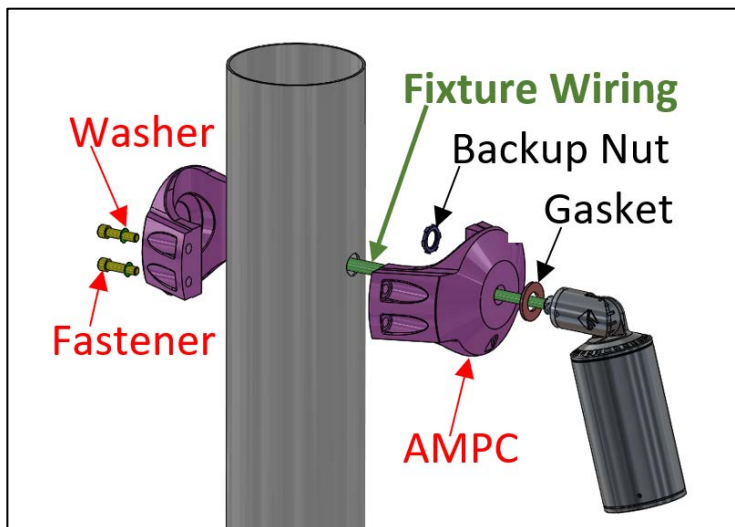
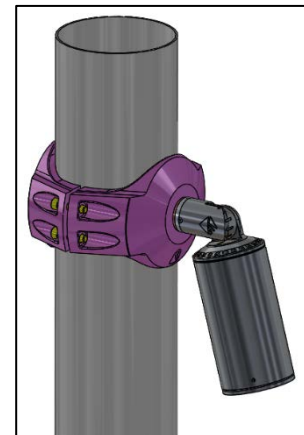
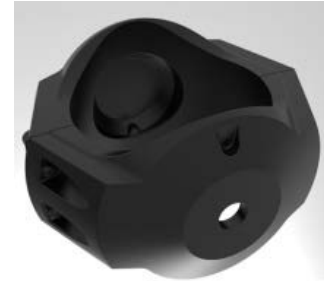
1. Secure Luminaire to Cover Plate: Ensure the luminaire gasket is placed between the Luminaire and the Cover Plate. Secure the Luminaire to the Cover Plate using provided Backup Nut (Torque to 30 in-lb).
2. Route Luminaire wires to Junction Box and make all wiring connections.
3. Secure the Cover Plate to the wall surface using appropriate fasteners, provided by others. Ensure the wall gasket is placed between the Cover Plate and the wall surface. (Torque fasteners to 25 in-lb).
4. Aim luminaire: Loosen adjusting screw on Knuckle Assembly with Allen Wrench (Do not remove adjusting screw completely). Tilt Luminaire to desired angle. Tighten adjusting screw with Allen Wrench, with care not to over tighten screw.



# Installation Guide

## 2.4 Pole Mounting – AMPC Option

1. Secure Luminaire to preferred AMPC Side using provided Backup Nut (Torque to 30 in-lb).
2. Feed fixture wiring through electrical hole on pole.
3. Position the Luminaire & AMPC at desired pole height.
4. Secure AMPC sides to each other using provided fasteners (2 fasteners for AMPC4, 4 fasteners for AMPC6). Torque to 45 in-lb.
5. Make needed electrical connections in pole.
6. Aim Luminaire: Loosen adjusting screw on Knuckle Assembly with Allen Wrench (Do not remove adjusting screw completely). Tilt Luminaire to desired angle. Tighten adjusting screw with Allen Wrench, with care not to over tighten screw.

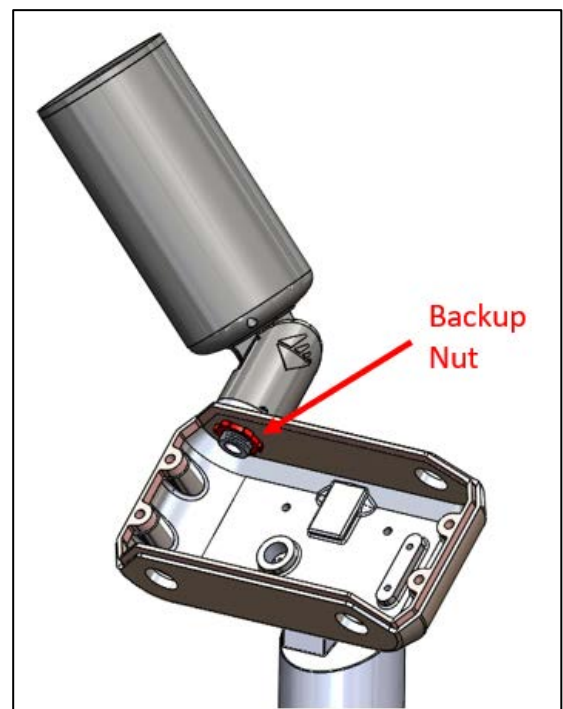
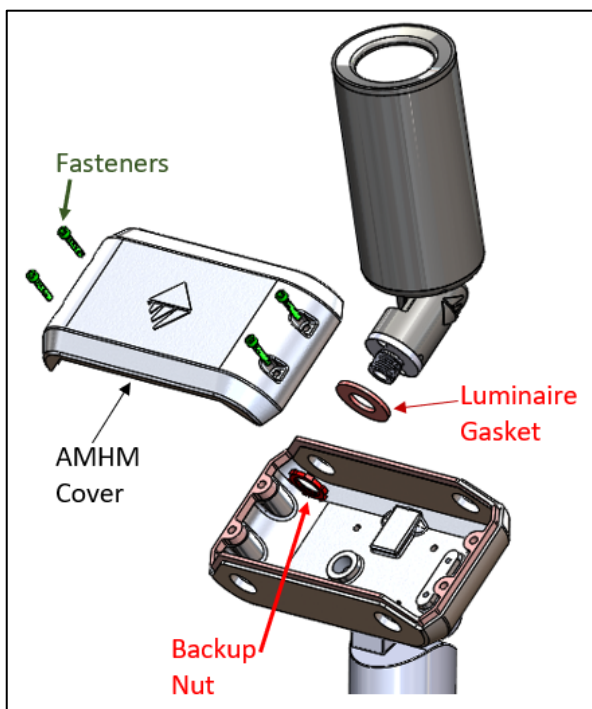
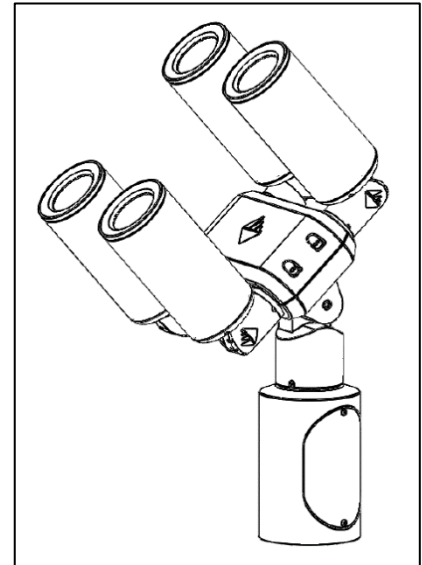


# Installation Guide

## 2.5 Architectural Multi Head Mount (AMHM)

### Secure Luminaire(s) to the AMHM:

1. Open the AMHM's splice compartment by removing the AMHM Cover.
2. Position the Luminaire in desired AMHM location (Note: The AMHM can accommodate a maximum of 4 Luminaires).
3. Ensure the Luminaire Gasket is placed between the Luminaire and the AMHM.
4. Rotate the Luminaire to desired position.
5. Secure the Luminaire to the AMHM using the included Backup Nut (Torque to 30 in-lb).
6. Make needed electrical connections.
7. If adding more Luminaires to the AMHM, repeat steps 2 through 6.
8. Close the AMHM's splice compartment by securing the AMHM Cover using the provided fasteners ((Torque to 35 in-lb).





# Installation Guide

## 2.5 Architectural Multi Head Mount (AMHM)

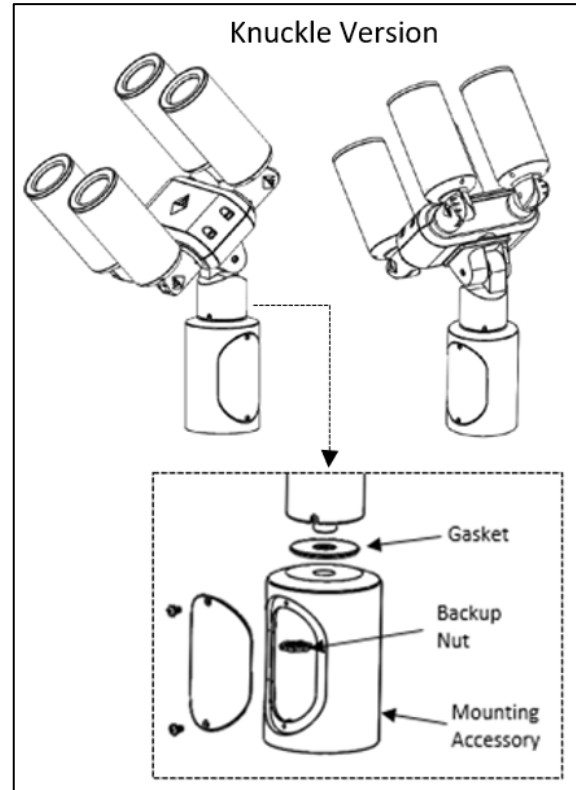
### Secure AMHM to Mounting Accessory

#### Knuckle Version:

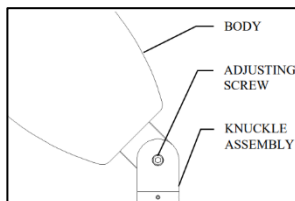
- Open mounting accessory's splice compartment & position the AMHM on the mounting accessory.
- Ensure the Gasket is placed between the AMHM and the mounting accessory.
- Secure the AMHM to the mounting accessory using the Backup Nut (Torque to 30 in-lb).
- Make needed electrical connections.
- Close mounting accessory's splice compartment.

#### Aim the AMHM:

- Loosen Knuckle Fastener.
- Locate lock disengagement slot.
- Insert large flat blade screwdriver into slot and pull screwdriver handle away from AMHM's body releasing the Knuckle Lock.
- Adjust the AMHM and re-tighten the Knuckle Fastener (Torque to 25 in-lb).



Aim Individual Luminaire(s): Loosen adjusting screw on Knuckle Assembly with Allen Wrench (Do not remove adjusting screw completely). Tilt Luminaire to desired angle. Tighten adjusting screw with Allen Wrench, with care not to over tighten screw.

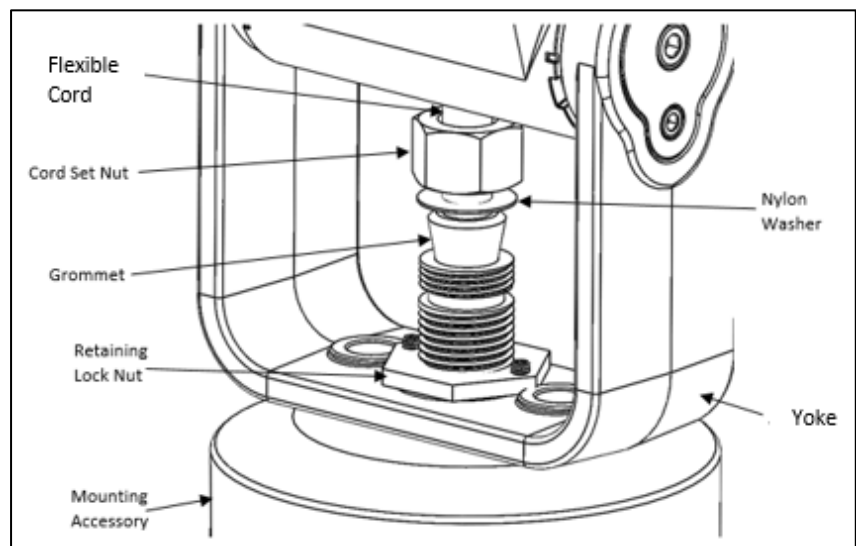
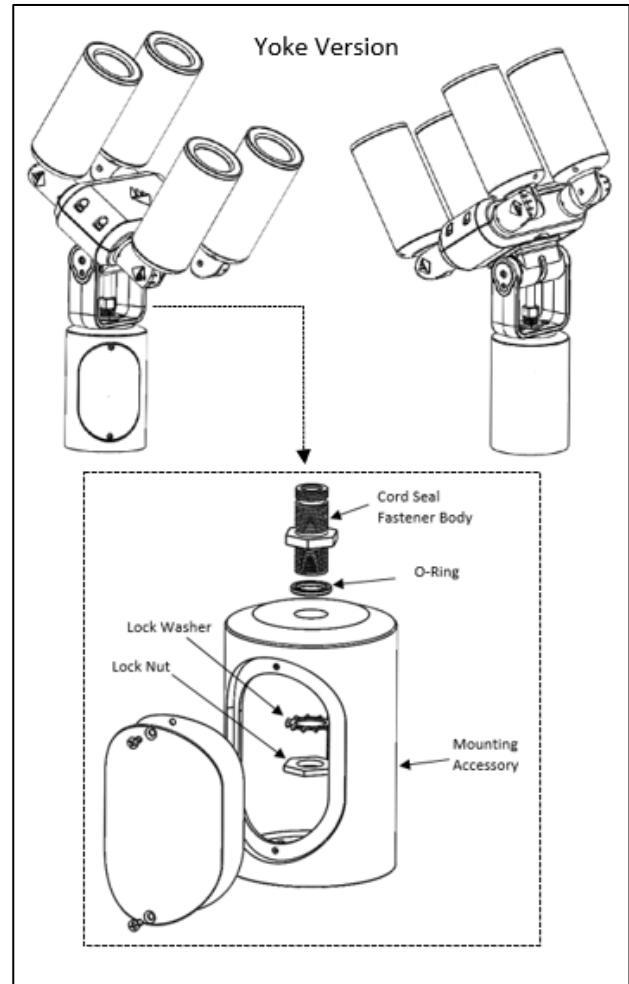


# Installation Guide

## 2.5 Architectural Multi Head Mount (AMHM)

### Yoke Version:

- Open mounting accessory's splice compartment & secure Cord Seal Fastener Body, and provided O-Ring, to the mounting accessory using the Lock Nut & Lock Washer (Torque to 30 in-lb).
- Insert Cord Set Nut, Nylon Washer & Grommet onto the Flexible Cord.
- Secure AMHM's Yoke to the mounting accessory using the Retaining Lock Nut (Torque to 30 in-lb).
- Route Flexible Cord into the mounting accessory, make electrical connections, and secure the Flexible Cord using the Cord Set Nut (Torque to 25 in-lb).
- Close mounting accessory's splice compartment.

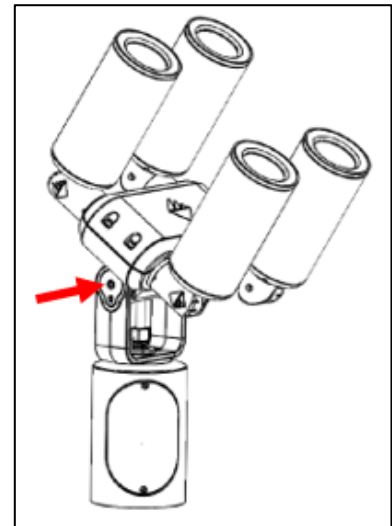
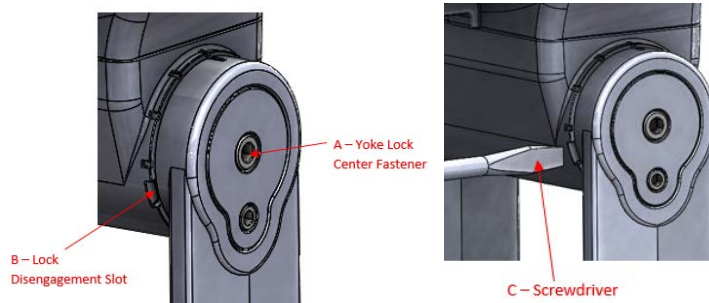


# Installation Guide

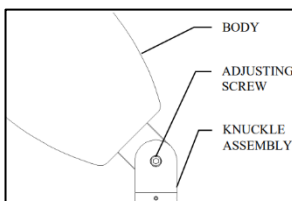
## 2.5 Architectural Multi Head Mount (AMHM)

Aim the AMHM:

- A. Loosen Yoke Lock center fastener on each yoke lock.
- B. Locate lock disengagement slots.
- C. Insert large flat blade screwdriver into slots and pull screwdriver handle away from the AMHM's body releasing the Yoke Lock.
- D. Adjust the AMHM and re-tighten center Yoke Lock fasteners (Torque to 25 in-lb).



Aim Individual Luminaire(s): Loosen adjusting screw on Knuckle Assembly with Allen Wrench (Do not remove adjusting screw completely). Tilt Luminaire to desired angle. Tighten adjusting screw with Allen Wrench, with care not to over tighten screw.



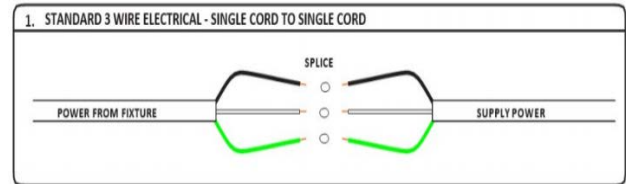
# Installation Guide

## 2.5 Electrical Connections

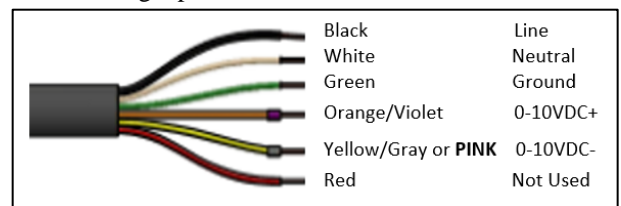
**Warning:** Turn Off supply power prior to making any electrical connections.

2.5.1 For fixtures equipped with DMX control, an Acuity DPI Box and Acuity approved dimming device must be used (See Hydrel INS DPI Installation Instructions for details). To wire, locate the yellow (DMX Common), orange (DMX-), and red (DMX+) control leads at the end of supply cable. Make connections as required utilizing an Acuity Brands approved DMX control device.

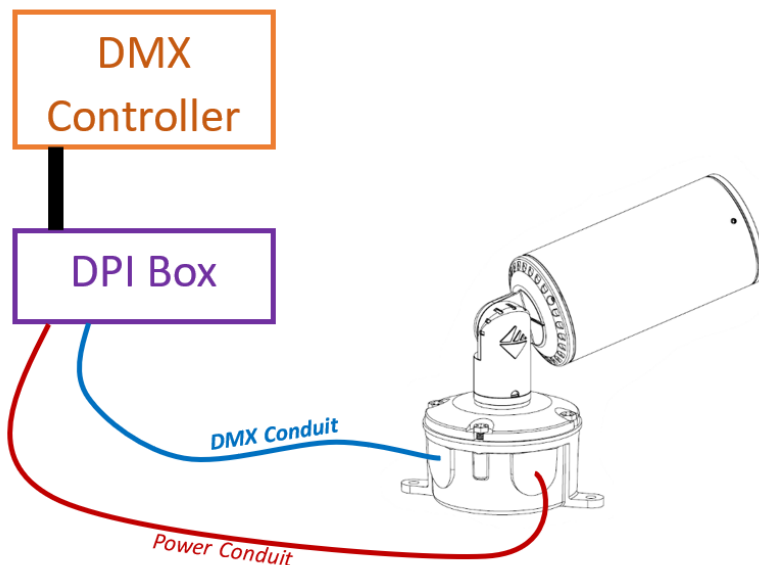
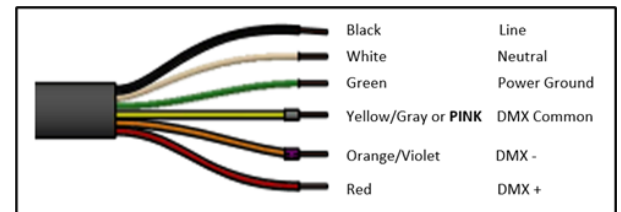
**Warning:** MAINTAINING CORRECT POLARITY OF THE DMX CONTROL LEADS TO THE FIXTURE IS CRITICAL. IMPROPER POLARITY CONNECTIONS COULD RESULT IN UNEXPECTED CONTROL RESULTS OR DAMAGE TO FIXTURE DMX CONTROL CIRCUIT.



### 2. Dimming Option



### 3. DMX Option



# Installation Guide

## 2.5.2 Daisy-Chaining Option

When daisy chaining, not recommended to use more than four DMX/RDM repeater boxes (DPI4WHYD) in one linear run or one DMX/RDM repeater boxes (DPI4WHYD) with 4 runs of 32 fixtures. Total DMX run length limited to 32 fixtures or 1000ft (*contact factory for longer run lengths*)

*Note: Data references 14AWG wire with 16A max. A 120 Ohm terminating resistor is required at the end of each fixture run on the DMX network cable (supplied by others or included with DPI4WHYD).*

Recommended Combined Power & Data Cable:  
UL/CSA Listed, Type SOOW, 16 AWG, 6 conductors.

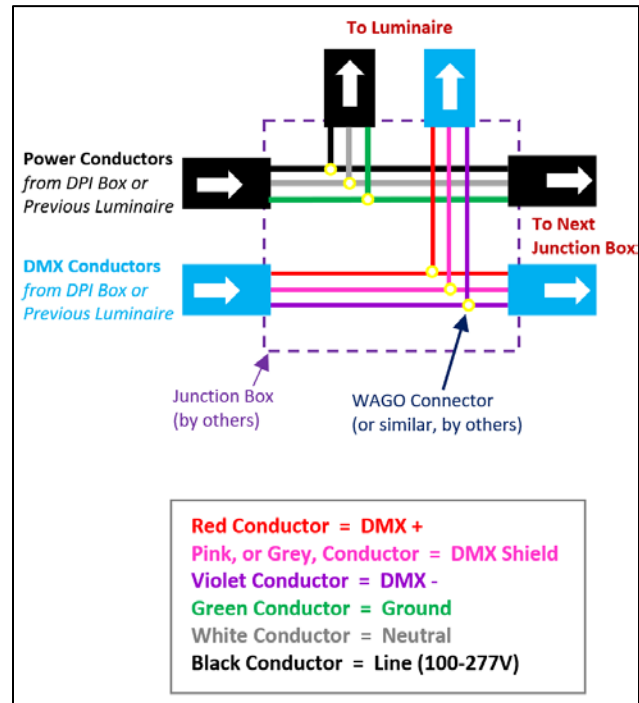
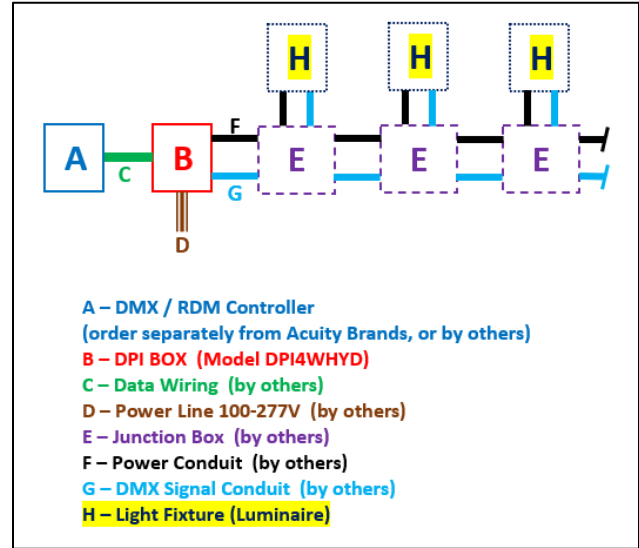
### Recommended DMX Network Cables:

- Needs twisted pair for Data + / Data - (can be shielded) plus a data common
- Must be appropriate for RS485 networks:
  - ~120 Ohm characteristic impedance
  - Low capacitance
  - Synergy SYA CABLEA4
  - Others (Belden 9842, 9729, 9829; etc.)

### NEVER USE:

- Microphone cable, generic wire
- Mix of different cables without a repeater.

Reference NEC Article 725 code. Barrier required inside junction box to separate Class 2 wires from class 1 wires.



# Installation Guide

## 3. MAINTENANCE

**3.1 Cleaning of Luminaire** - Use a soft, clean, cloth with mild detergent and water to clean and remove debris from the exterior portions of the luminaire's housing and lens.

**Caution** – Do not use abrasive or organic cleaners such as acetone or ammonia on luminaire's housing or lens. Their use may damage painted surfaces or affect optical performance.



### 3.2 Electrical Component Replacement

**3.2.1** Replacement of any electrical component requiring access to the interior of the luminaire housing will require power being shut off before entering the luminaire. All work should be performed by personnel qualified to work on solid state luminaires.

**3.2.2** Disconnect power to the luminaire prior to accessing the driver compartment and performing any maintenance.

**3.2.3** Remove Back Cover by removing applicable fasteners.

**3.2.4 LED Driver Replacement:** Locate the LED Driver, disconnect it from the input power and output load, and remove it from the luminaire. Install new LED Driver and secure in place using existing mounting option (Torque LED Driver fasteners to 25 in-lb). Connect new LED Driver to existing input and load conductors.

**3.2.5** Secure the Back Cover to the luminaire using provided fasteners (Torque fasteners to 25 in-lb).

