



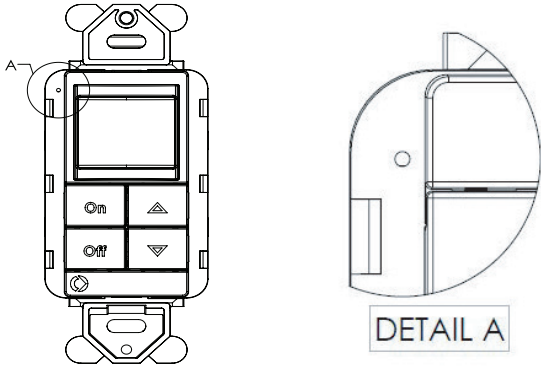
WSXA JOT

Dimming Occupancy Wall Switch Installation Instructions



PROVISIONING JOT SYSTEM APP-LESS

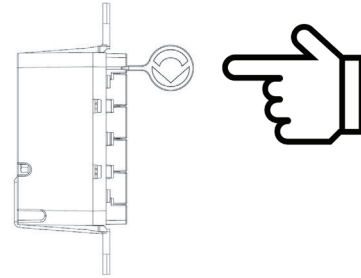
After JOT enabled luminaires and wall stations are installed and powered, locate the "pin hole" as shown below. **For app-free pairing, fixtures must be placed downstream from the wall switch.**



Insert JOT tool then press / hold any front button for 6 seconds. Once LED begin blinking rapidly, remove tool from device. All branch circuit luminaires will power cycle and begin to self-pair one at a time indicated by a 10% dim state. Once all luminaires are paired, light level will transition from 10% to 100%.

WARNING

Only use pre-packaged JOT tool to start pairing process.
DO NOT INSERT METAL INTO PIN HOLE!



CONVERSION FROM GROUND ONLY

This product is pre-configured for wiring without a neutral; however, if connection to neutral is required by code, the unit easily converts in seconds.

OUTPUT RATING 120VAC, 800W, 6.7A, 277VAC, 1200W, 4.3A, 347VAC, 1500W, 4.3A

OPERATIONAL SETTINGS

JOT Tool must be inserted to perform any of the below operations. Press any button on the front of the switch to enter mode.

2 = Occupancy Time Delay

The length of time an occupancy sensor will keep the lights on after it last detects occupancy.

1 - Test Mode**	6 - 10.0 min*	11 - 22.5 min	
2 - 30 sec	7 - 12.5 min	12 - 25.0 min	**Test mode sets Occupancy Time Delay to 30 seconds and increases photocell transition rate in addition to disabling the microphone on units with Dual Technology
3 - 2.5 min	8 - 15.0 min	13 - 27.5 min	
4 - 5.0 min	9 - 17.5 min	14 - 30.0 min	
5 - 7.5 min	10 - 20.0 min		

3 = Start Level

Level of light output when occupancy is initially detected. Not applicable in Automatic Dimming Control (ADH) mode.	1 - 10%	4 - 40%	7 - 70%	10 - 100%*
	2 - 20%	5 - 50%	8 - 80%	* DEFAULT
	3 - 30%	6 - 60%	9 - 90%	SETTING

4 = On Mode

1 - Automatic On

Sensor automatically turns the light on when it detects occupancy.

2 - Manual On

Sensor requires pressing the button to turn the light on.

5 = HIGH TRIM SETTING (MAXIMAUM BRIGHTNESS LEVEL)

1 - 1%	3 - 20%	5 - 40%	7 - 60%	10 - 90%	11 - 100%*
2 - 10%	4 - 30%	6 - 50%	8 - 70%	9 - 80%	

6 = Join Group (used in 3-way / multi-way applications)

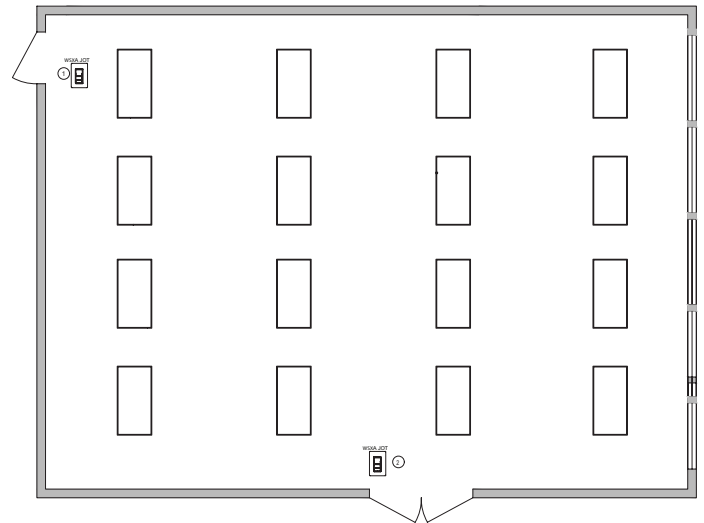
Places an unpaired device into "Join Group" mode. This will allow the device to join an existing group. Do this on the device that is new or an addition to the group, this needs to be completed prior to putting the Configurator Device in "Accept New Device" mode.

7 = Accept New Device (used in 3-way / multi-way applications) Places the configurator device into "Accept New Device" mode. This is done after setting up a new/ additional device to be added in Join group mode.

8 = Add Mobile Device (Clarity Pro)

Allow user to use mobile application of a pre-configured group.

3-Way or (Multi-Way Application); similarly applies to neutral wiring



⊙ SETTING CODE 6 (Join a Group)

⊙ SETTING CODE 7 (Accept New Device)

9 = Reset PIN

Un-paired device send request to join a group.

10 = Remove Local Device Only

1 - Do not remove 2 - Remove * and **

* If device is the configurator, the group will "Restore" all devices in the group back to factory default. This action will un-pair all devices in the group.

** If device is not the configurator, the device will send a "Delete Node" message to the configurator for itself and restore itself back to factory defaults and will no longer be able to communicate with the group.

11 = Restore all Group Devices to Factory Default

1 - Do not remove 2 - Remove

12 = LOW TRIM SETTING (LOWEST DIM VALUE)

1 - 1%*	4 - 30%	7 - 60%	10 - 90%
2 - 10%*	5 - 40%	8 - 70%	11 - 100%
3 - 20%	6 - 50%	9 - 80%	



WSXA JOT

Dimming Occupancy Wall Switch

Installation Instructions



LED RESPONSE

JOT SWITCH SETTING	ACTION and LED RESPONSE
<p>Occupancy Time Delay The time an occupancy sensor will keep the lights on after last detection.</p>	<p>ACTION: 1) Insert JOT Tool. 2) Press any front button 2-times to enter time delay setting code. LED Observed: LED will blink back current setting if no additional input is given. This is done 3-times. ACTION: 1) At any point, while displaying current setting, press any front button to set value. LED Observed: LED will blink back new setting. This is done 3-times.</p>
<p>Occupancy Start Level Level of light output when occupancy is initially detected.</p>	<p>ACTION: 1) Insert JOT Tool: 2) Press any front button 3-times to desired occupied brightness start level setting code. LED Observed: LED will blink back current setting if no additional input in given, This is done 3-times. ACTION: 1) At any point, while displaying current setting, press any front button to set value. LED Observed: LED will blink back new setting. This is done 3-times.</p>
<p>On Mode Change between Occupancy and Manual On Modes.</p>	<p>ACTION: 1) Insert JOT Tool. 2) Press any front button 4-times to set operation mode setting code. LED Observed: LED will blink back current setting if no additional input in given, This is done 3-times. ACTION: 1) At any point, while displaying current setting, press any front button to set value. LED Observed: LED will blink back new setting. This is done 3-times.</p>
<p>High Trim Setting</p>	<p>ACTION: 1) Insert desired settings. 2) Press any front button 5 times. LED will blink back new settings. This is done 3 times.</p> <p>ACTION: 1) While blink back confirmation is occurring from prior action. 2) Insert desired settings value. LED will blink back new settings. This is done 3 times.</p>
<p>Join Group Add new wall switch device to app_less group; used in 3_way setup.</p>	<p>ACTION: 1) Insert JOT Tool into the switch that will be joining an app-lessly paired group: 2) Press any front button 6-times to enter setting option. LED Observed: ½ Second On, ½ Second Off, followed by rapid flash. NOTE: TIMEOUT 5-7 minutes.</p>
<p>Accept New Device Accept new switch (per join above) into group; used in 3_way setup.</p>	<p>ACTION: 1) Insert JOT Tool into the switch that pairing app-less group: 2) Press any front button 7-times to enter setting option. LED Observed: LED will blink back setting entry followed by a rapid flash. NOTE: TIMEOUT 5-7 minutes</p>
<p>Add Mobile Device Show app_less formed group and allow mobile device to join group.</p>	<p>ACTION: 1) Insert JOT Tool into app-lessly pairing wall switch: 2) Press any front button 8-times to enter setting option. LED Observed: ½ Second On, ½ Second Off, ½ Second On, ½ Second Off. NOTE: TIMEOUT 5-7 minutes.</p>
<p>Reset PIN If PIN in lost used to create new PIN.</p>	<p>ACTION: 1) Insert JOT Tool: 2) Press any front button 9-times to enter reset PIN option. LED Observed: ½ Second On, ½ Second Off, ½ Second On, ½ Second Off. NOTE: TIMEOUT 5-7 minutes.</p>
<p>Remove Local Device Only Used to remove local 3_way Switch. Note: Removing switch used to form group will delete entire group.</p>	<p>ACTION: 1) Insert JOT Tool. 2) Press any front button 10-times to enter remove local device setting option. (a.) 1-press = do not remove (b.) 2- presses = Remove device. LED Observed: LED will blink back current setting if no additional input is given. This is done 3-times..</p>
<p>Delete Group Used to return all devices back to default state.</p>	<p>ACTION: 1) Insert JOT Tool. 2) Press any front button 11-times to enter delete group setting option. (a.) 1-press = do not remove (b.) 2- presses = Remove device. LED Observed: LED will blink back current setting if no additional input is given. This is done 3-times.</p>
<p>Low Trim Setting</p>	<p>ACTION: 1) Insert desired settings. 2) Press any front button 12 times. LED will blink back new settings. This is done 3 times.</p> <p>ACTION: 1) While blink back confirmation is occurring from prior action. 2) Insert desired settings value. LED will blink back new settings. This is done 3 times.</p>

APP FREE TRAINING VIDEOS



App-Free High Trim Setting



App-Free Pairing Multiple Room



App-Free Pairing Options



App-Free Pairing and Visual Feedback

ADVANCED BEHAVIOR SETTINGS

Behavior zones, daylight harvesting and Microphonics™



Clarity + Apple Mobile App



Clarity + Android Mobile App



Clarity + Quick Start Guide (JOT)