



**READ AND FOLLOW ALL SAFETY INSTRUCTIONS!
SAVE THESE INSTRUCTIONS AND DELIVER TO OWNER AFTER INSTALLATION**

- To reduce the risk of death, personal injury or property damage from fire, electric shock, falling parts, cuts/abrasions, and other hazards please read all warnings and instructions included with and on the fixture box and all fixture labels.
- Before installing, servicing, or performing routine maintenance upon this equipment, follow these general precautions.
- Installation and service of luminaires should be performed by a **qualified licensed electrician**.
- Maintenance of the luminaires should be performed by person(s) familiar with the luminaires' construction and operation and any hazards involved. Regular fixture maintenance programs are recommended.
- It will occasionally be necessary to clean the outside of the refractor/lens. Frequency of cleaning will depend on ambient dirt level and minimum light output which is acceptable to user. Refractor/lens should be washed in a solution of warm water and any mild, non-abrasive household detergent, rinsed with clean water and wiped dry. Should optical assembly become dirty on the inside, wipe refractor/lens and clean in above manner, replacing damaged gaskets as necessary.
- **DO NOT INSTALL DAMAGED PRODUCT!** This luminaire has been properly packed so that no parts should have been damaged during transit. Inspect to confirm. Any part damaged or broken during or after assembly should be replaced.
- Recycle: For information on how to recycle LED electronic products, please visit www.epa.gov.
- These instructions do not purport to cover all details or variations in equipment nor to provide every possible contingency to meet in connection with installation, operation, or maintenance. Should further information be desired or should particular problems arise which are not covered sufficiently for the purchaser's or owner's purposes, this matter should be referred to Acuity Brands Lighting, Inc.




WARNING
RISK OF ELECTRIC SHOCK

- ✓ Disconnect or turn off power before installation or servicing.
- ✓ Verify that supply voltage is correct by comparing it with the luminaire label information.
- ✓ Make all electrical and grounded connections in accordance with the National Electrical Code (NEC) and any applicable local code requirements.
- ✓ All wiring connections should be capped with UL approved recognized wire connectors.




WARNING
RISK OF BURN

- ✓ Allow lamp/fixture to cool before handling. Do not touch enclosure or light source.
- ✓ Do not exceed maximum wattage marked on luminaire label.
- ✓ Follow all manufacturer's warnings, recommendations and restrictions for: driver type, burning position, mounting locations/methods, replacement and recycling.



CAUTION
RISK OF INJURY

- ✓ Wear gloves and safety glasses at all times when removing luminaire from carton, installing, servicing or performing maintenance.
- ✓ Avoid direct eye exposure to the light source while it is on.



CAUTION
RISK OF FIRE

- ✓ Keep combustible and other materials that can burn, away from lamp/lens.
- ✓ Do not operate in close proximity to persons, combustible materials or substances affected by heat or drying.



CAUTION: RISK OF PRODUCT DAMAGE

- ✓ Never connect components under load.
- ✓ Do not mount or support these fixtures in a manner that can cut the outer jacket or damage wire insulation.
- ✓ Unless individual product specifications deem otherwise: Never connect an LED product directly to a dimmer packs, occupancy sensors, timing devices, or other related control devices. LED fixtures must be powered directly off a switched circuit.
- ✓ Unless individual product specifications deem otherwise: Do not restrict fixture ventilation. Allow for some volume of airspace around fixture. Avoid covering LED fixtures with insulation, foam, or other material that will prevent convection or conduction cooling.
- ✓ Unless individual product specifications deem otherwise: Do not exceed fixtures maximum ambient temperature.
- ✓ Only use fixture in its intended location.
- ✓ LED products are Polarity Sensitive. Ensure proper Polarity before installation.
- ✓ Electrostatic Discharge (ESD): ESD can damage LED fixtures. Personal grounding equipment must be worn during all installation or servicing of the unit.
- ✓ Do not touch individual electrical components as this can cause ESD, shorten lamp life, or alter performance.
- ✓ Some components inside the fixture may not be serviceable. In the unlikely event your unit may require service, stop using the unit immediately and contact an ABL representative for assistance.
- ✓ Always read the fixtures complete installation instructions prior to installation for any additional fixture specific warnings.

Please see product specific installation instructions for additional warnings or any applicable FCC or other regulatory statements.

Failure to follow any of these instructions could void product warranties. For a complete listing of product Terms and Conditions, please visit www.acuitybrands.com.

Our Brands	Indoor/Outdoor Lithonia Lighting Carandini Holophane RELOC Light Concepts	Indoor Lighting Gotham Mark Architectural Lighting Peerless Renaissance Lighting Winona Lighting	Outdoor Lighting American Electric Lighting Antique Street Lamps Hydrel Tersen	Controls DARK TO LIGHT LC&D ROAM Sensor Switch Synergy	Daylighting SunOptics
-------------------	--	---	--	---	--------------------------

Acuity Brands Lighting, Inc. assumes no responsibility for claims arising out of improper or careless installation or handling of its products.

ABL LED General Warnings, Form No. 503.203

© 2010 Acuity Brands Lighting, Inc. All rights reserved. 12/01/10

SECTION 1: INSTALLATION (Read LED safety instructions on page 1)

- 1) Disconnect all power to the existing luminaire and remove from ceiling. Inspect the existing mounting location for damage before installing the new LED high bay in this location.
- 2) Remove the new IBL LED from packaging and inspect for any damages. Handle new LED fixture with care. If damaged do not use; call your local rep for replacement. **CAUTION: DO NOT remove the protective wrapping around the LED fixture until final building/inspection stage. Do not use this LED high bay as a work light during construction stage. DO NOT touch the LEDs. This will damage the LED lens and void warrantee to product.**
- 3) Decide on a hanging/mounting method that will work for your application. We recommend all hanging hardware are rated for 4X the load/fixture weight. Make sure the new LED fixture is securely mounted to the ceiling structure. We recommend using safety cables in areas that have high vibration, overhead cranes, impact areas and /or high air velocity. Use cables where required by code and to help the Luminaire hang straight.

OPTIONAL CHAIN MOUNT (HC36): Install the provided chain into the wire hanger. Clip the wire hangers into the side holes on the top of the driver channel. Secure the other end of the chain to a structure using hardware rated for the load. Contact factory or agency for areas that have vibration, overhead cranes and/or high velocity. **SEE FIGURE 1.**

⚠️ Make sure the wiring hangers are fully engaged into the side holes on the top channel. If using "S" hooks, make sure all loops are crimped closed if possible. Make sure wire hanger fit snugly into side hole of driver channel.

OPTIONAL PENDANT KIT (IBLPMP): Snap the tabs on the hanging bracket into slots located on side of channel. Use the various slots located on the channel to balance the fixture. Use the provided bolt, split washer and flanged nut to secure the bracket to the top of the fixture channel. Install the two bracket end cover plates to the hanging bracket using the two 1/4" long screws provided. Use large washers between both inside and outside locknuts of the threaded-pipe. **SEE FIGURE 1.**

OPTIONAL PENDANT KIT W/ HUB (IBLPMPHB): Assemble the hub components to the hanging bracket. Install the hanging bracket to the top of the channel. Make sure the tabs on the bracket engages the slots on the side of the channel. Make sure all nuts are securely tighten. Thread the thread-conduit into the HUB assembly. **SEE FIGURE 2.**

OPTIONAL CEILING MNT KIT (THUN): Mount the THUN brackets to structure. Install/snap the fixture into the brackets and secure the LED fixture in place using the provided carriage bolts and nuts. Make sure all screws are securely tighten! Do not over torque the nuts to where the brackets deform. LED fixture should not slide or be pulled loose if installation is done correctly. **WARNING: THUN option max ambient temp for IBL is 35C/95F. Exceeding this temperature will reduce the life of the driver(s) and LED boards ! SEE FIGURE 1 for torque specification.**
- 4) Connect the LED high bay wiring to line wire, black-to-black, white-to-white and green-to-green. Use only UL listed wiring connectors 90C (or greater) and UL listed wiring 90C (or greater). ****NOTE: Purple and gray lead inside the driver compartment are 0-10V (low voltage) dimming leads. Connect to dimming low voltage wiring only.**
- 5) **IMP OPTION (integrated modular plug):** Snap the optional cord with IMP at one end into the IMP plug on the access plate on the fixture. Make sure both plugs are fully engaged together before moving on to the next installation. A 5/8" K.O. is located on the IMP access plate and a HEYCO bushing is provided if dimming wires are needed for IMP option.
- 6) Clean all residues/fingerprints from the LED high bay and lens. Double check all hanging hardware.

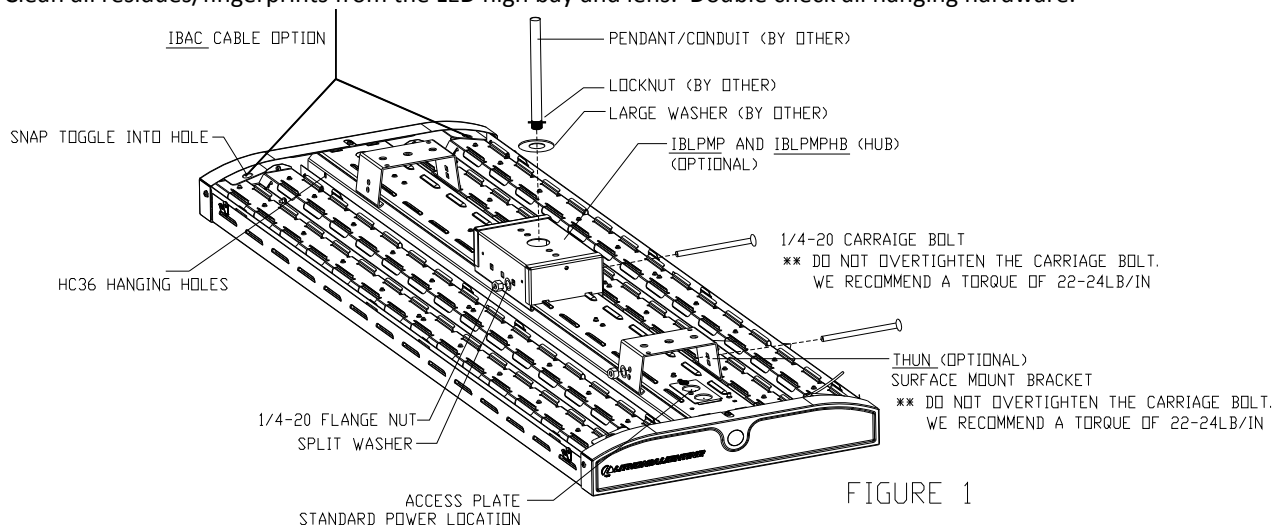
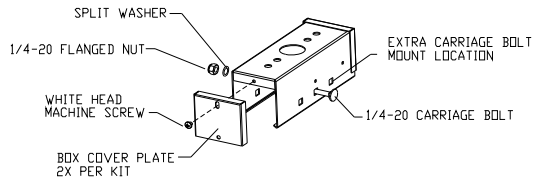


FIGURE 1

IBLPMP OPTION:



IBLMPHB OPTION:

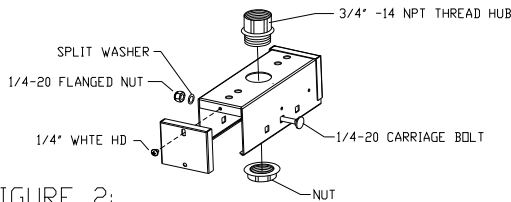


FIGURE 2:

SENSOR OPTION:

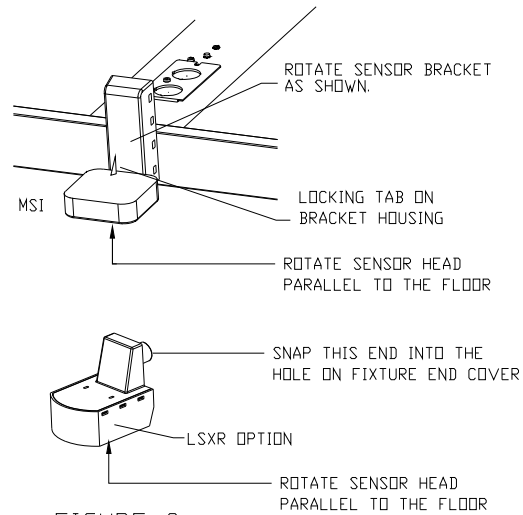


FIGURE 3:

SECTION 2: EXTERNAL SENSOR OPTION: (Sensor head will be PRE-wired but not installed)

- 1) Remove the protective bushing place on the wire way hole located on the end cover.
- 2) Push the extra wiring from the sensor into the channel compartment and snap the sensor into the hole on the end cover.
- 3) Align the sensor head to where it faces the floor. **SEE FIGURE 3.**
- 4) Make sure the sensor bracket assembly is rotated in the position shown. **SEE FIGURE 3.**

SECTION 3: SERVICING (Disconnect all power to LED high bay before servicing. Read LED safety instructions on page 1)

- 1) Remove the bottom ballast cover by removing the screws at the end. Slide the cover to one end and remove. **SEE FIGURE 4.**
- 2) Mark all wiring before removing the bad driver. Install new driver in the same location. Follow wiring diagram on driver.
- 3) Install the EMI ferrite core onto the red and blue leads of the new driver. Wrap both wires once around the EMI ferrite core. One EMI ferrite core per driver.
- 4) Use only UL listed 90C (or greater) wiring and connectors. Make sure to push all wiring back into the driver housing before reinstalling the channel cover.
- 5) Replace with only the same components provided by the factory.
- 6) To clean the lens, remove the two end screws for the side panel. Remove the side panel. Do not lose screws. Place side panel in a safe location to avoid dropping to floor. Slide the lens out and wipe clean. **SEE FIGURE 4.**

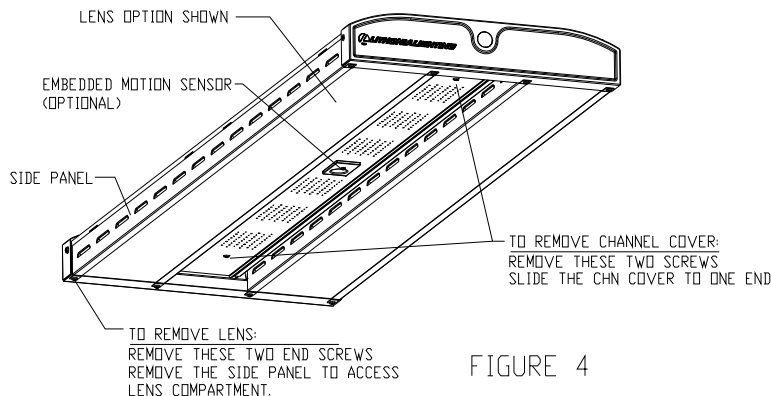


FIGURE 4

Five-year limited warranty. Warranty terms are located at: **(UT04511 REV D 1/21/16)**
www.acuitybrands.com/customerresources/term_and_conditions.aspx