

**READ AND FOLLOW ALL SAFETY INSTRUCTIONS! SAVE THESE INSTRUCTIONS AND DELIVER TO OWNER AFTER INSTALLATION**

- To reduce the risk of death, personal injury or property damage from fire, electric shock, falling parts, cuts/abrasions, and other hazards please read all warnings and instructions included with and on the fixture box and all fixture labels.
- Before installing, servicing, or performing routine maintenance upon this equipment, follow these general precautions.
- Installation and service of luminaires should be performed by a **qualified licensed electrician**.
- Maintenance of the luminaires should be performed by person(s) familiar with the luminaires' construction and operation and any hazards involved. Regular fixture maintenance programs are recommended.
- It will occasionally be necessary to clean the outside of the refractor/lens. Frequency of cleaning will depend on ambient dirt level and minimum light output which is acceptable to user. Refractor/lens should be washed in a solution of warm water and any mild, non-abrasive household detergent, rinsed with clean water and wiped dry. Should optical assembly become dirty on the inside, wipe refractor/lens and clean in above manner, replacing damaged gaskets as necessary.
- **DO NOT INSTALL DAMAGED PRODUCT!** This luminaire has been properly packed so that no parts should have been damaged during transit. Inspect to confirm. Any part damaged or broken during or after assembly should be replaced.
- Recycle: For information on how to recycle LED electronic products, please visit [www.epa.gov](http://www.epa.gov).
- These instructions do not purport to cover all details or variations in equipment nor to provide every possible contingency to meet in connection with installation, operation, or maintenance. Should further information be desired or should particular problems arise which are not covered sufficiently for the purchaser's or owner's purposes, this matter should be referred to Acuity Brands Lighting, Inc.



**WARNING RISK OF ELECTRIC SHOCK**

- Disconnect or turn off power before installation or servicing.
- Verify that supply voltage is correct by comparing it with the luminaire label information.
- Make all electrical and grounded connections in accordance with the National Electrical Code (NEC) and any applicable local code requirements.
- All wiring connections should be capped with UL approved recognized wire connectors.



**WARNING RISK OF BURN**

- Allow lamp/fixture to cool before handling. Do not touch enclosure or light source.
- Do not exceed maximum wattage marked on luminaire label.
- Follow all manufacturer's warnings, recommendations and restrictions for: driver type, burning position, mounting locations/methods, replacement and recycling.



**CAUTION RISK OF INJURY**

- Wear gloves and safety glasses at all times when removing luminaire from carton, installing, servicing or performing maintenance.
- Avoid direct eye exposure to the light source while it is on.



**CAUTION RISK OF FIRE**

- Keep combustible and other materials that can burn, away from lamp/lens.
- Do not operate in close proximity to persons, combustible materials or substances affected by heat or drying.



**CAUTION: RISK OF PRODUCT DAMAGE**

- Never connect components under load.
- Do not mount or support these fixtures in a manner that can cut the outer jacket or damage wire insulation.
- Never connect an LED product to an unapproved dimmer pack. Contact ABL directly for any dimmers not specifically recommended for the product.
- Unless individual product specifications deem otherwise: Allow for some volume of airspace around fixture. Avoid covering LED fixtures with insulation, foam, or other material that will prevent convection or conduction cooling.
- Unless individual product specifications deem otherwise: Maximum ambient temperature is 90°C. Do not operate fixture at temperatures higher than this.
- Unless individual product specifications deem otherwise: Never mount in places where fixture will be exposed to rain, high humidity, extreme temperature changes or restricted ventilation.
- LED products are Polarity Sensitive. Ensure proper Polarity before installation.
- Electrostatic Discharge (ESD): ESD can damage LED fixtures. Personal grounding equipment must be worn during all installation or servicing of the unit.
- Do not touch individual electrical components as this can cause ESD, shorten lamp life, or alter performance.
- There are no user serviceable parts inside the unit. Do not rewire, reconfigure, or modify the unit or attempt any repairs yourself. Additionally, field replacement of the LED assembly or lamps is not allowed by UL standards at this time. In the unlikely event your unit may require service, stop using the unit immediately and contact an ABL representative.

All luminaires that contain electronic devices that generate frequencies above 9kHz from any component within the luminaire comply with one of the following Part 15 of the FCC Rules. Operation is subject to the following two conditions:

- (1) This device may not cause harmful interference
- (2) This device must accept any interference received, including interference that may cause undesired operation.

This device complies with Part 18 of the FCC Rules but may cause interference with cordless and cell phones, radios, televisions, and other electronic devices. To correct the problem move the device away from the luminaire or plug into a different outlet. This product may cause interference to radio equipment and should not be installed near maritime safety communications equipment or other critical navigation or communications equipment operating between 0.45-30MHz.

Failure to follow any of these instructions could void product warranties. For a complete listing of product Terms and Conditions, please visit [www.acuitybrands.com](http://www.acuitybrands.com).

**OUR BRANDS**

**Indoor/Outdoor:** Lithonia Lighting, Carandini, Holophane, RELOC

**Indoor Lighting:** Gotham, Mark Architectural Lighting, Peerless, Renaissance Lighting, Winona Lighting

**Outdoor Lighting:** American Electric Lighting, Antique Street Lamps, Hydrel, Tersen

**Controls:** DARK TO LIGHT, Lighting Control & Design, ROAM, Sensor Switch, Synergy

**Acuity Brands Lighting, Inc. assumes no responsibility for claims arising out of improper or careless installation or handling of its products.**

ABL LED General Warnings, Form No. 503.203

© 2010 Acuity Brands Lighting, Inc. All rights reserved. 12/01/10

Overview  
pg. 2-5

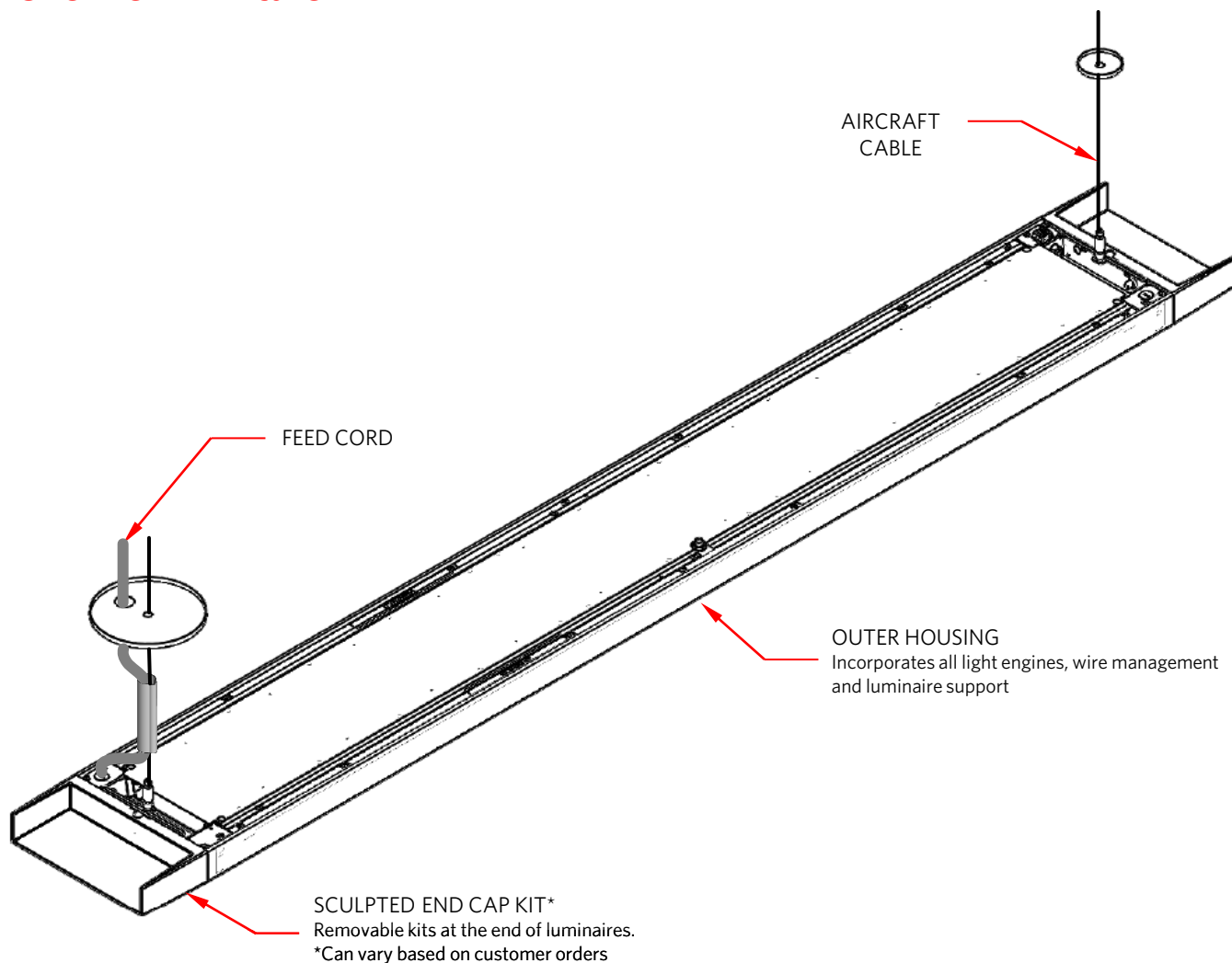
Kit Parts  
pg. 6

Luminaire Installation  
pg. 7

Supplemental  
pg. 8-9

These installation instructions are used for installing the following luminaires and kits.

## A) Overview - Fixture



**IMPORTANT:** Illustrations are used for reference only and can differ slightly from the actual lighting system installed. However, key components addressed in this information are represented as accurately as possible.

## B) Overview - Mounting (contd.)

### LEGEND:

A - Fixture Overall Length (excluding end caps on both ends).

B - Fixture Suspension Points center-to-center distance

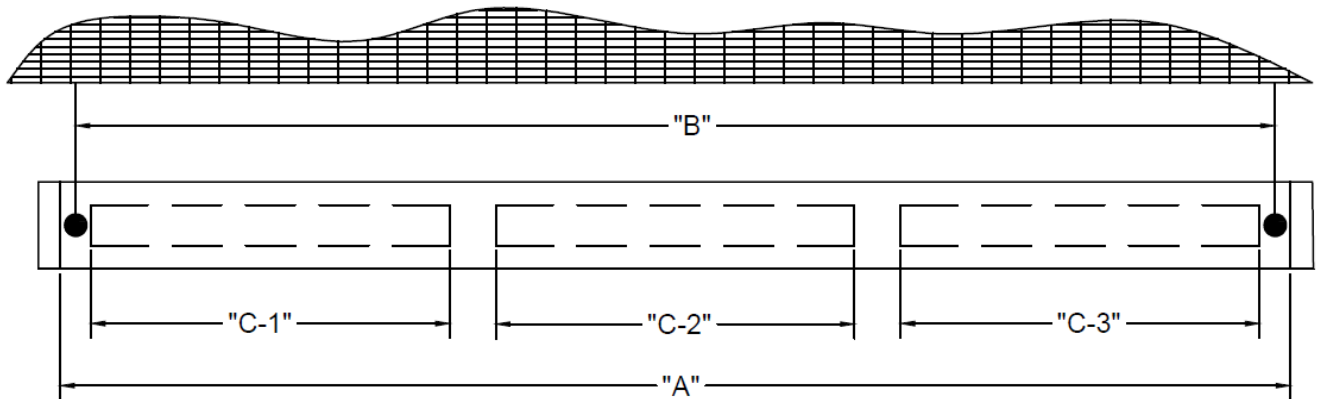
C = C-1 = C-2\* = C-3\* - Aperture window length

\*if C-2 = C-3 = N/A, then fixture has a single aperture (=C-1)

\*if C-3 = N/A, then fixture has dual aperture (=C-1 & C-2)

**NOTE:** "BEGINNING OF RUN FIXTURE'S CENTER TO CENTER SUPPORT SPACING ("B" & "B-1") WILL BE 13/16" LESS THAN THE NOMINAL FIXTURE SECTION LENGTH. REFER TO INDIVIDUAL FIXTURE TABLE FOR SPECIFIC DIMENSIONS"

## Individual Luminaire Configurations



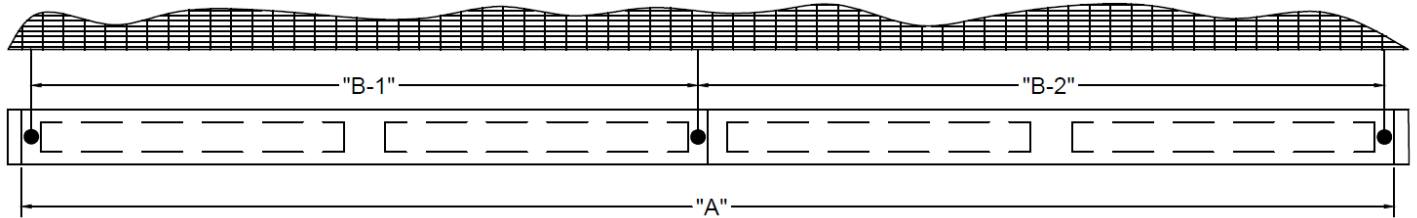
INDIVIDUAL UNITS (MOUNTING)

ORDERED LENGTH	"A" O.A.L.	"B"	"C-1"	"C-2"	"C-3"	STANDARD END CAP* (*including end caps on both sides)	SCULPTED END CAP* (*including end caps on both sides)	APPROX. WEIGHT
4 FT	4'- 0" [1220 mm]	3'-11 3/16" [1200 mm]	3'- 8 1/8" [1121 mm]	N/A	N/A	1 1/4" [31.8 mm]	8" [203.2 mm]	22 lbs. [10 kg]
5 FT	5'- 0" [1524 mm]	4'-11 3/16" [1503 mm]	4'- 8 1/8" [1426 mm]	N/A	N/A	1 1/4" [31.8 mm]	8" [203.2 mm]	26 lbs. [12 kg]
6 FT	6'- 0" [1828 mm]	5'-11 3/16" [1808 mm]	2'- 8 1/8" [816 mm]	2'- 8 1/8" [816 mm]	N/A	1 1/4" [31.8 mm]	8" [203.2 mm]	29 lbs. [13 kg]
8 FT	8'- 0" [2438 mm]	7'-11 3/16" [2418 mm]	3'- 8 1/8" [1121 mm]	3'- 8 1/8" [1121 mm]	N/A	1 1/4" [31.8 mm]	8" [203.2 mm]	38 lbs. [17 kg]
10 FT	10'- 0" [3048 mm]	9'-11 3/16" [3027 mm]	4'- 8 1/8" [1426 mm]	4'- 8 1/8" [1426 mm]	N/A	1 1/4" [31.8 mm]	8" [203.2 mm]	44 lbs. [20 kg]
12 FT	12'- 0" [3658 mm]	11'-11 3/16" [3637 mm]	3'- 8 1/8" [1121 mm]	3'- 8 1/8" [1121 mm]	3'- 8 1/8" [1121 mm]	1 1/4" [31.8 mm]	8" [203.2 mm]	54 lbs. [25 kg]

## B) Overview - Mounting (contd.)

**NOTE:** "BEGINNING OF RUN FIXTURE'S CENTER TO CENTER SUPPORT SPACING ("B" & "B-1") WILL BE 13/16" LESS THAN THE NOMINAL FIXTURE SECTION LENGTH. REFER TO INDIVIDUAL FIXTURE TABLE FOR SPECIFIC DIMENSIONS"

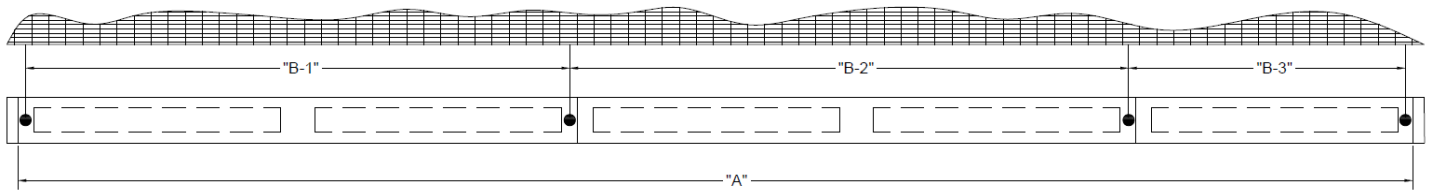
### Run Configurations



"1FT INCREMENTS WITH A MINIMUM OF 4FT (EXCEPT 7FT)"

RUN LAYOUT (MOUNTING)						
ORDERED LENGTH	"A" O.A.L.	"B-1"	"B-2"	STANDARD END CAP* (*including end caps on both sides)	SCULPTED END CAP* (*including end caps on both sides)	APPROX. WEIGHT
4' SECTION 4' SECTION	8'- 0" [2438 mm]	3'- 11 3/16" [1200 mm]	4'- 0" [1220 mm]	1 1/4" [31.8 mm]	8" [203.2 mm]	44 lbs [20 kg]
5' SECTION 4' SECTION	9'- 0" [2743 mm]	4'- 11 3/16" [1503 mm]	4'- 0" [1220 mm]	1 1/4" [31.8 mm]	8" [203.2 mm]	48 lbs [22 kg]
6' SECTION 5' SECTION	11'- 0" [3353mm]	5'- 11 3/16" [1808 mm]	5'- 0" [1524 mm]	1 1/4" [31.8 mm]	8" [203.2 mm]	55 lbs [25 kg]
8' SECTION 4' SECTION	12'- 0" [3658 mm]	7'- 11 3/16" [2418 mm]	4'- 0" [1220 mm]	1 1/4" [31.8 mm]	8" [203.2 mm]	60 lbs [27 kg]
8' SECTION 5' SECTION	13'- 0" [3962 mm]	7'- 11 3/16" [2418 mm]	5'- 0" [1524 mm]	1 1/4" [31.8 mm]	8" [203.2 mm]	64 lbs [29 kg]
10' SECTION 5' SECTION	15'- 0" [4572 mm]	9'- 11 3/16" [3027 mm]	5'- 0" [1524 mm]	1 1/4" [31.8 mm]	8" [203.2 mm]	70 lbs [32 kg]
8' SECTION 8' SECTION	16'- 0" [4877 mm]	7'- 11 3/16" [2418 mm]	8'- 0" [2438 mm]	1 1/4" [31.8 mm]	8" [203.2 mm]	76 lbs [35 kg]
10' SECTION 8' SECTION	18'- 0" [5486 mm]	9'- 11 3/16" [3027 mm]	8'- 0" [2438 mm]	1 1/4" [31.8 mm]	8" [203.2 mm]	82 lbs [37 kg]

### Run Configurations

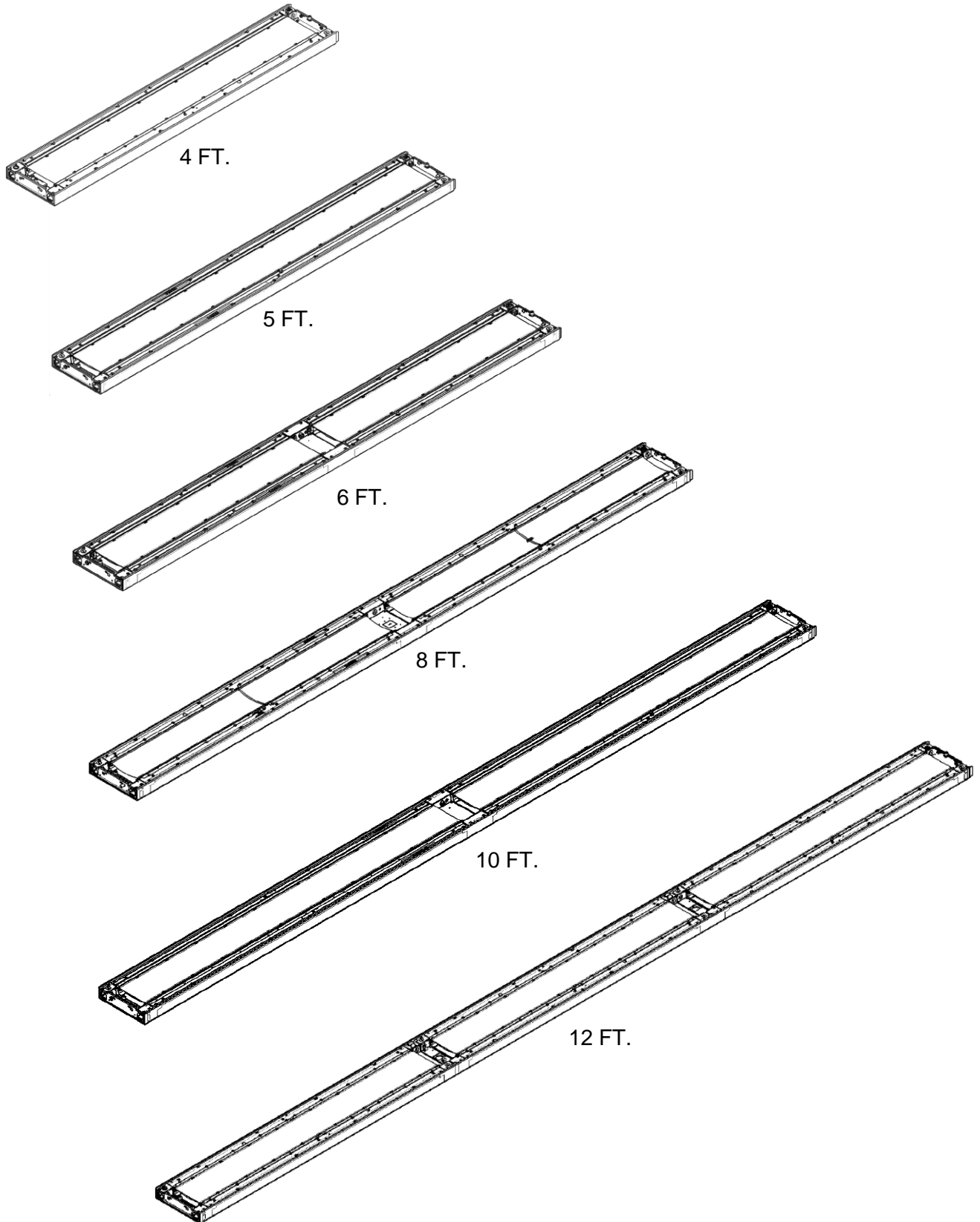


"1FT INCREMENTS WITH A MINIMUM OF 4FT (EXCEPT 7FT)"

RUN LAYOUT (MOUNTING)							
ORDERED LENGTH	"A" O.A.L.	"B-1"	"B-2"	"B-3"	STANDARD END CAP* (*including end caps on both sides)	SCULPTED END CAP* (*including end caps on both sides)	APPROX. WEIGHT
10' SECTION 5' SECTION 4' SECTION	19'- 0" [5791 mm]	9'- 11 3/16" [3027 mm]	5'- 0" [1524 mm]	4'- 0" [1220 mm]	1 1/4" [31.8 mm]	8" [203.2 mm]	92 lbs [42 kg]
8' SECTION 8' SECTION 4' SECTION	20'- 0" [6096 mm]	7'- 11 3/16" [2418 mm]	8'- 0" [2438 mm]	4'- 0" [1220 mm]	1 1/4" [31.8 mm]	8" [203.2 mm]	98 lbs [45 kg]

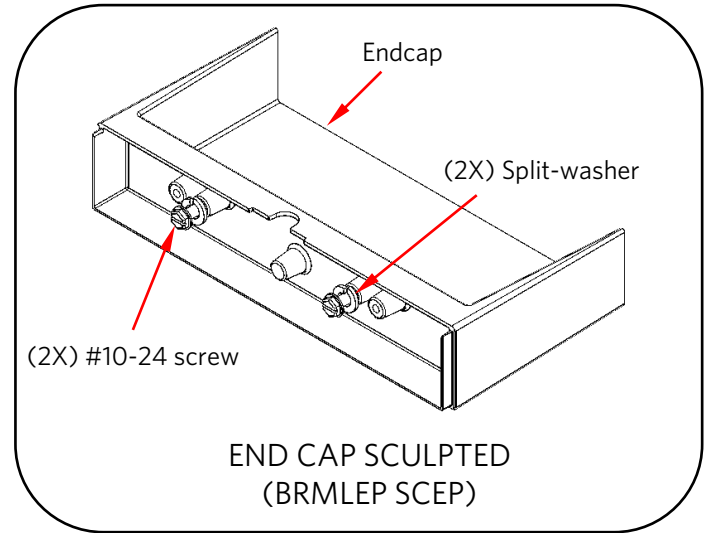
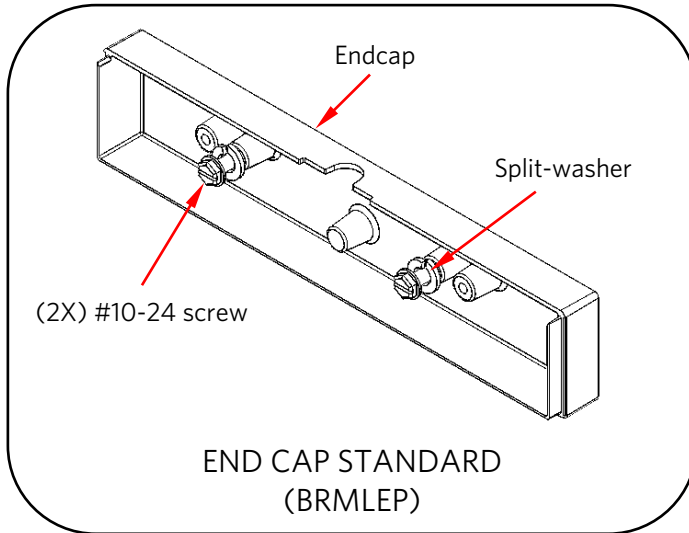


### C) Overview - Types of Luminaires



## D) Identification of Kit Parts

### D.1 Identification of End cap Kit Parts

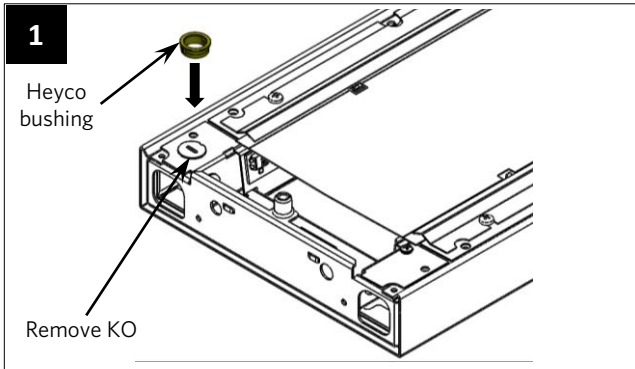


### D.2 Identification of Mounting Kit Parts

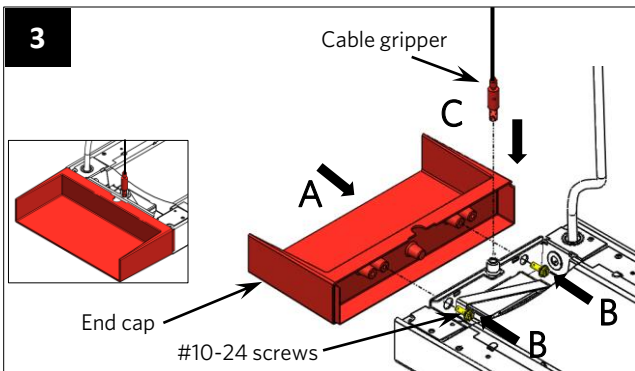
Refer F1/F2/F3/F1A mounting kit installation instruction for mounting option.



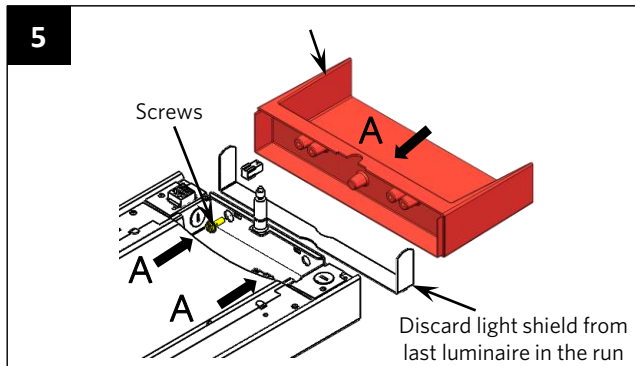
## E) Cable - Mounted Installation



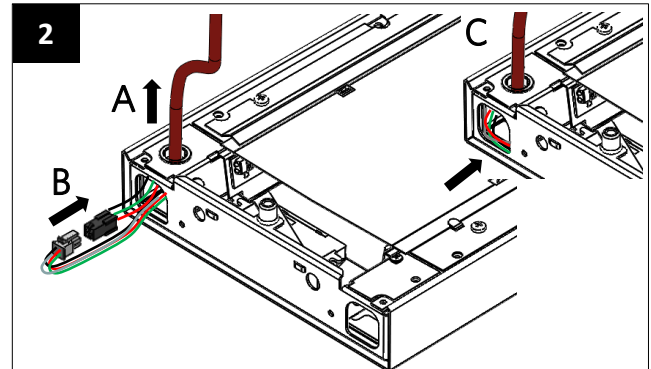
Remove the knock-out from the left side of wireway cover on the luminaire. Insert heyco bushing (provided in the kit) from top side of wireway cover as shown.



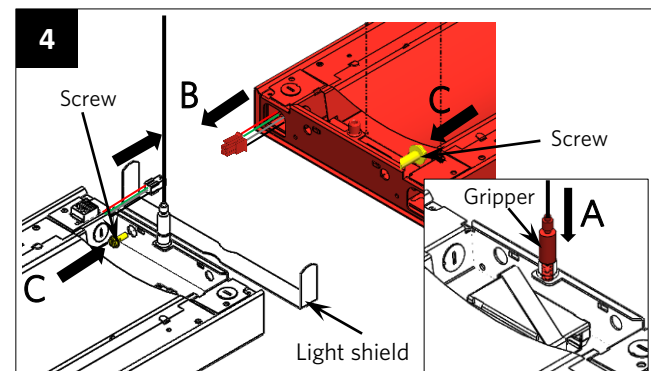
**A:** Slide the end-cap and **B:** fasten it using #10-24 screws and washers (provided in end cap kit). **C:** Screw the cable gripper studs into luminaire hangers. Raise luminaire into required position. NOTE: Do not use cord manager when overall suspension is less than 18".



Repeat Step 4 until last luminaire in the row is hung. Secure the hanger and install end-cap as described in Step 5 to complete the luminaire row. Level the entire luminaire row. Tighten lock nuts on all fixed cable studs to complete the installation.

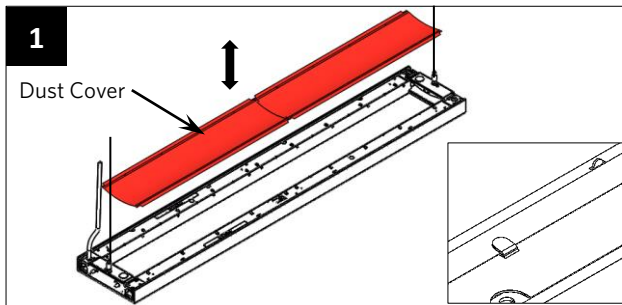


**A:** Insert power cord through knockout on the first luminaire at the male connector end. **B:** Plug together the wire connectors. **C:** Push connectors back into the luminaire housing.



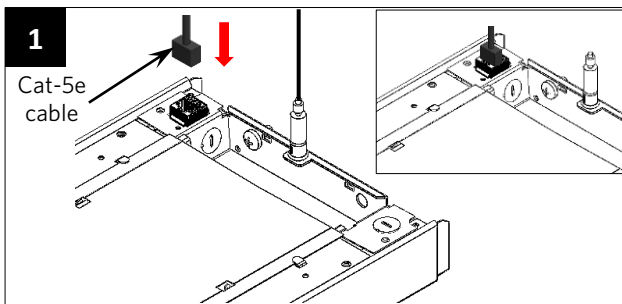
**A:** Screw the cable gripper stud to second luminaire at the end with female connector. **B:** Raise the next luminaire into position and plug-in wire connectors. **C:** Fasten luminaires together with (2x) #1/4-20 screws along with the light shield in between. Adjust the cable gripper studs to level the luminaires.

## F) Dust Cover (DU) Cleaning/Maintenance



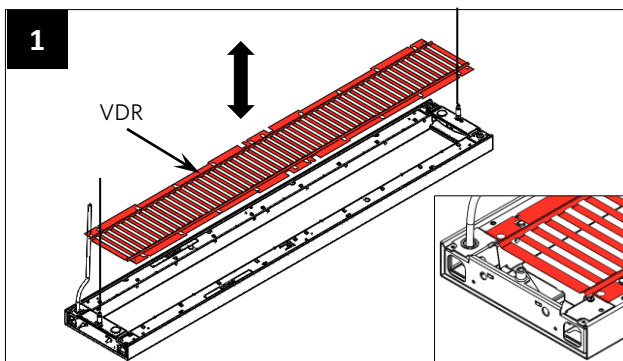
For optional Dust Cover: Simply lift and remove the dust cover for cleaning during maintenance. Insert atop the luminaire by locating edges of cover and the hold down tabs of the luminaire as shown.

## G) Cat-5e Installation for Network enabled luminaire

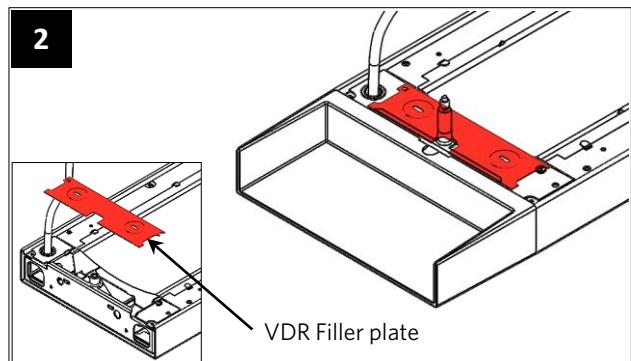


Connect Cat-5e cable into connector available on the luminaire.

## H) Variable Distribution Reflector (VDR) Cleaning/Maintenance



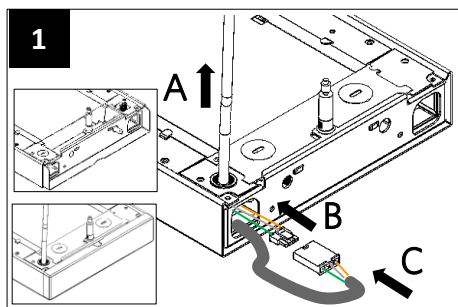
For optional VDR with 20/80 distribution: Simply remove the VDR for cleaning by removing the #8 screws. Restore part by reversing step taken to remove VDR.



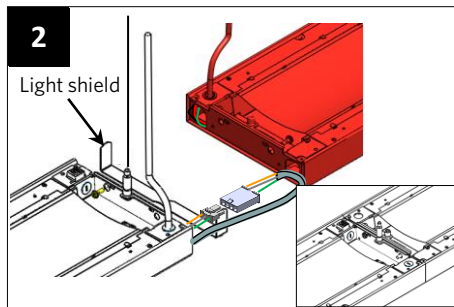
For optional VDR with 0/100 distribution: In addition to Step 1, remove/re-insert the VDR filler plate at each end of the luminaire with provided screws for both maintenance and joining luminaires together.



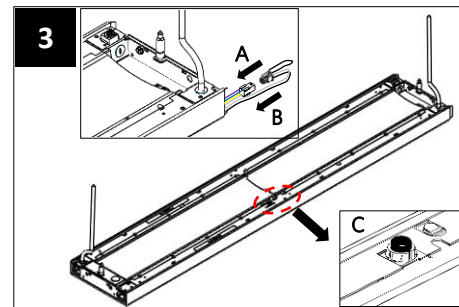
## I) Emergency Circuits/Emergency Lighting Installation



**A:** Remove the circular KO where the 1x4 connector is located. Route the EC cord out the circular KO  
**B:** Connect the EC connectors and **C:** push connectors into luminaire housing. Apply light shield or endcap to the luminaire end as shown.



Complete section row by joining and hanging as indicated in Section C - Cable Mounted Installation, if needed.



**\*For E10WLCP Option:**

**A:** Connect the battery pack harness and test switch harness together.  
**B:** Push the connectors back into the luminaire and complete section row installation. **C:** Press test switch to verify if luminaire section dims, to indicate the battery is functional.

\* Max. mounting height of 10 feet.

### SAVE THESE INSTRUCTIONS

For any questions, please contact 1-800-705-7378

### Contractor Resources

Check out helpful programs, tools, installation videos and more!

