



LED Floodlights for solar applications or other 10-30 VDC systems. Perfect for off-grid, remote-area lighting. Up to 85% more efficient than line voltage AC solutions.

Color: Bronze

Weight: 1.5 lbs

**Project:**

**Type:**

**Prepared By:**

**Date:**

### Driver Info

Type: DC to DC  
 120V: N/A  
 208V: N/A  
 240V: N/A  
 277V: N/A  
 Input Watts: 5W  
 Efficiency: 99%

### LED Info

Watts: 5W  
 Color Temp: 4000K (Neutral)  
 Color Accuracy: 90 CRI  
 L70 Lifespan: 100,000  
 Lumens: 208  
 Efficacy: 41 LPW

## Technical Specifications

### Listings

#### UL Listing:

Suitable for wet locations. Suitable for ground mounting.

#### IESNA LM-79 & IESNA LM-80 Testing:

RAB LED luminaires have been tested by an independent laboratory in accordance with IESNA LM-79 and 80, and have received the Department of Energy "Lighting Facts" label.

### LED Characteristics

#### Lifespan:

100,000-hour LED lifespan based on IES LM-80 results and TM-21 calculations.

#### LED:

5 Watt high output, long-life LED.

#### Color Consistency:

3-step MacAdam Ellipse binning to achieve consistent fixture-to-fixture color.

#### Color Stability:

LED color temperature is warrantied to shift no more than 200K in CCT over a 5 year period.

#### Color Accuracy:

90 CRI

#### Color Temperature (Nominal CCT):

4000K

#### Color Uniformity:

RAB's range of CCT (Correlated Color Temperature) follows the guidelines of the American National Standard for (SSL) Products, ANSI C78.377-2008.

### Optical

#### Spot Lens:

Optional spot lens enables a tool-less conversion to an 18° NEMA 3x3 spot. Great for accent lighting or grazing buildings for an artistic touch.

#### Lumen Maintenance:

100,000 hours Life Based on LM-80 Tests.

#### Fixture Efficacy:

41 Lumens per Watt

#### NEMA Type:

4H x 4V with 44° beam angle.

### Construction

#### Lens:

Microprismatic diffusion lens for smooth and even light distribution.

#### Cold Weather Starting:

Minimum starting temperature is -40°F/-40°C.

#### Ambient Temperature:

Suitable for use in 40°C (104°F) ambient temperatures.

#### Thermal Management:

Superior heat sinking with external air flow fins.

#### Housing:

Precision die-cast aluminum housing, hood and mounting arm.

### Gaskets:

High Temperature Silicone.

### Finish:

Our environmentally friendly polyester powder coatings are formulated for high-durability and long-lasting color, and contains no VOC or toxic heavy metals.

### Green Technology:

Mercury and UV free, and RoHS compliant.

### Electrical

#### Driver:

Constant Current, Class 2, 100-240V, 50-60Hz, 100-240VAC 0.18A.

### Other

#### Warranty:

RAB warrants that our LED products will be free from defects in materials and workmanship for a period of five (5) years from the date of delivery to the end user, including coverage of light output, color stability, driver performance and fixture finish.

#### Patents:

The design of the LFLED is protected by Taiwan Patent 01510966 and pending patents in US, Canada, China, and Mexico.

#### Country of Origin:

Designed by RAB in New Jersey and assembled in the USA by RAB's IBEW Local 3 workers.

#### Buy American Act Compliant:

This product is a COTS item manufactured in the United States, and is compliant with the Buy American Act.

## Technical Specifications (continued)

### Other

#### Recovery Act (ARRA) Compliant:

This product complies with the 52.225-21 "Required Use of American Iron, Steel, and Manufactured Goods-- Buy American Act-- Construction Materials (October 2010).

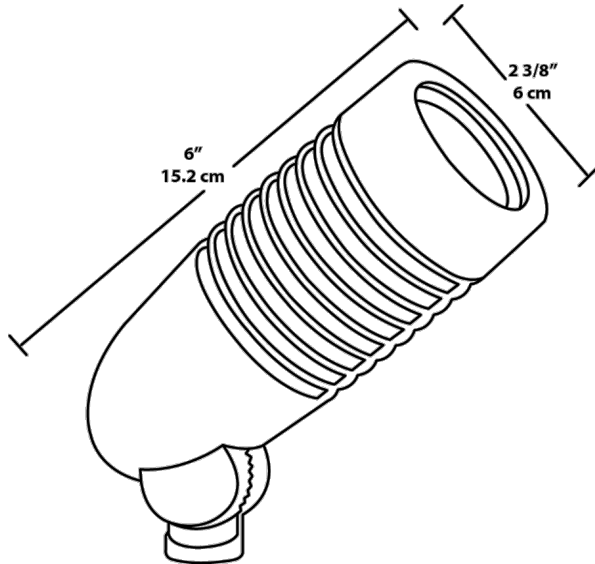
#### Trade Agreements Act Compliant:

This product is a COTS item manufactured in the United States, and is compliant with the Trade Agreements Act.

#### GSA Schedule:

Suitable in accordance with FAR Subpart 25.4.

### Dimensions



### Features

- Low voltage DC
- Ideal for solar applications
- Up to 85% more energy efficient
- No energy-loss from DC-AC inverter
- Enables off-grid, remote-area lighting
- 5-year warranty

### Ordering Matrix

| Family | Watts  | Color Temp                              | DC      | Finish   |
|--------|--------|---|---------|--|
| LFLED  | 5 = 5W | Blank = Cool<br>Y = Warm<br>N = Neutral | DC = DC | A = Bronze<br>W = White<br>B = Black<br>VG = Verde Green |