

Project:

Type:

Prepared By:

Date:

**Driver Info**

Type	Constant Current
120V	0.34A
208V	0.20A
240V	0.18A
277V	0.15A
Input Watts	10.6-40W

**LED Info**

Watts	40W
Color Temp	3000K/3500K/4000K
Color Accuracy	94-95 CRI
L70 Lifespan	50,000 Hours
Lumens	1,333-5,455 lm
Efficacy	125.8-139.8 lm/W

**Technical Specifications****Field Adjustability****Field Adjustable:**

Field Adjustable Light Output:  
40W/28W/24W/20W/10W (factory default 40W)  
Color Temperature Selectable:  
3000K, 3500K and 4000K (factory default 4000K)

**Compliance****UL Listed:**

Suitable for damp locations

**IESNA LM-79 & LM-80 Testing:**

RAB LED luminaires and LED components have been tested by an independent laboratory in accordance with IESNA LM-79 and LM-80.

**DLC Listed:**

This product is on the Design Lights Consortium (DLC) Qualified Products List and is eligible for rebates from DLC Member Utilities. Designed to meet DLC 5.1 requirements.  
DLC Product Code: S-11RPU3

**Electrical****Driver:**

Constant Current, Class 2, 120-277V, 50/60 Hz:  
40W: 120V: 0.34A, 208V: 0.20A, 240V: 0.18A, 277V: 0.15A  
28W: 120V: 0.25A, 208V: 0.15A, 240V: 0.12A, 277V: 0.11A  
24W: 120V: 0.20A, 208V: 0.12A, 240V: 0.10A, 277V: 0.09A  
20W: 120V: 0.17A, 208V: 0.10A, 240V: 0.09A, 277V: 0.08A  
10W: 120V: 0.09A, 208V: 0.06A, 240V: 0.05A, 277V: 0.04A

**Dimming Driver:**

Driver includes dimming control wiring for 0-10V dimming systems. Requires separate 0-10V DC dimming circuit. Dims down to 10%.

**THD:**

9.6% at 120V, 5.32% at 277V

**Power Factor:**

93.1% at 120V, 99.6% at 277V

**Surge Protection:**

2kV

**Continuous Runs:**

Maximum wattage for a continuous run should not exceed 600W

**LED Characteristics****LEDs:**

Long-life, high-efficacy, surface-mount LEDs

**Color Uniformity:**

RAB's range of Correlated Color Temperature follows the guidelines of the American National Standard for Specifications for the Chromaticity of Solid State Lighting (SSL) Products, ANSI C78.377-2017.

**Performance****Lifespan:**

50,000-Hour LED lifespan based on IES LM-80 results and TM-21 calculations

**Performance Data:**

[Click here for the BOA4 performance data](#)

**Wattage Equivalency:**

40W: Replaces up to (3) F32T8  
28W: Replaces up to (3) F32T8  
24W: Replaces up to (3) F32T8  
20W: Replaces up to (1) F32T8  
10W: Replaces up to (1) F32T8

**Construction****Cold Weather Starting:**

The minimum starting temperature is -20°C (-4°F)

## Technical Specifications (continued)

**Maximum Ambient Temperature:**

Suitable for use in up to 40°C (104°F)

**Housing:**

Aluminum

**Mounting:**

94" of aircraft cable provided with cable grippers for easy adjustment after installation

**Lens:**

Polycarbonate frosted flat lens

**Reflector:**

Polyethylene Terephthalate (PET)

**Finish:**

Formulated for high durability and long-lasting color

**Green Technology:**

Mercury and UV free. RoHS-compliant components.

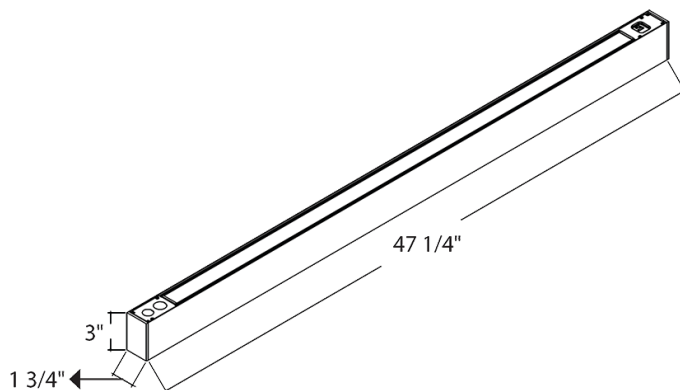
**Other****5 Yr Limited Warranty:**

The RAB 5-year, limited warranty covers light output, driver performance and paint finish. RAB's warranty is subject to all terms and conditions found at [rablighting.com/warranty](http://rablighting.com/warranty).

**Buy American Act Compliance:**

RAB values USA manufacturing! Upon request, RAB may be able to manufacture this product to be compliant with the Buy American Act (BAA). Please contact customer service to request a quote for the product to be made BAA compliant.

## Dimensions



## Features

50,000-Hour LED lifespan

0-10V dimming

5-Year, limited warranty

Ordering Matrix

Family	Size (Wattages)	Mount	Lens	Light Output	Color Temp	Voltage	Finish	Options
BOA	4	P					W	
	4 = 4 ft (40/28/24/20/10W) 8 = 8 ft (80/56/48/40/20W) 2 = 2 ft (20/14/12/10/5W)	P = Pendant	Blank = Flat L = Louvers	Blank = Downlight	Blank = 3000K/3500K/4000K CCT Adjustable	Blank = 120-277V, 0-10V Dimming	B = Black S = Silver W = White	Blank = No Option /MVS = Microwave Occupancy Sensor /PIR = Passive Infrared Occupancy Sensor /LCBS = Lightcloud Blue Enabled w/PIR Sensor /LCBS/MVS = Lightcloud Blue Enabled w/MVS Sensor /E = Battery Backup <sup>2</sup> /MVS/E = Microwave Occupancy Sensor w/Battery Backup <sup>2</sup> /PIR/E = Passive Infrared Occupancy Sensor w/Battery Back Up <sup>2</sup> /LCBS/E = Lightcloud Blue Enabled w/PIR Sensor and Battery Backup <sup>2</sup> /LCBS/MVS/E = Lightcloud Blue Enabled w/MVS Sensor and Battery Backup <sup>2</sup>

<sup>1</sup> Only available on 4 ft and 8 ft models only