



High output LED pole top area light with IES type V circular distribution. Wide and uniform 360 degree pattern ideal for large outdoor areas such as parking lots, corporate parks, and retail settings.

Color: White

Weight: 21.8 lbs

<b>Project:</b>	<b>Type:</b>
<b>Prepared By:</b>	<b>Date:</b>

Driver Info		LED Info	
Type	Constant Current	Watts	52W
120V	0.49A	Color Temp	5000K (Cool)
208V	0.31A	Color Accuracy	73 CRI
240V	0.27A	L70 Lifespan	100,000 Hours
277V	0.24A	Lumens	5,753
Input Watts	54.8W	Efficacy	105 lm/W

## Technical Specifications

### Electrical

#### Dimming Driver:

Driver includes dimming control wiring for 0-10V dimming systems. Requires separate 0-10V DC dimming circuit. Dims down to 10%.

#### THD:

7.2% at 120V, 17% at 277V

#### Power Factor:

99.1% at 120V, 90.2% at 277V

#### Drivers (2):

Constant Current, 720mA, Class 2 with 6kV surge protection, 100-277VAC, 50/60 Hz

### Listings

#### UL Listed:

Suitable for wet locations

#### IESNA LM-79 & IESNA LM-80 Testing:

RAB LED luminaires and LED components have been tested by an independent laboratory in accordance with IESNA LM-79 and LM-80.

#### DLC Listed:

This product is on the Design Lights Consortium (DLC) Qualified Products List and is eligible for rebates from DLC Member Utilities. DLC Product Code: PT4T4FH8

### LED Characteristics

#### LEDs:

4x13W high-output, long-life LEDs

#### Color Consistency:

7-step MacAdam Ellipse binning to achieve consistent fixture-to-fixture color

#### Color Stability:

LED color temperature is warranted to shift no more than 200K in color temperature over a 5-year period

#### Color Uniformity:

RAB's range of Correlated Color Temperature follows the guidelines of the American National Standard for Specifications for the Chromaticity of Solid State Lighting (SSL) Products, ANSI C78.377-2017.

### Performance

#### Lifespan:

100,000-Hour LED lifespan based on IES LM-80 results and TM-21 calculations

### Construction

#### Cold Weather Starting:

Minimum starting temperature is -40°C (-40°F)

#### Maximum Ambient Temperature:

Suitable for use in up to 40°C (104°F)

## Technical Specifications (continued)

### Construction

#### Effective Projected Area:

EPA = 1.2

#### Thermal Management:

Superior thermal management with external air-flow fins

#### Housing:

Precision die-cast aluminum, Type V distribution

#### Support Arms:

Extruded aluminum

#### Lens:

Clear tempered glass lens

#### Reflector:

Specular vacuum-metallized polycarbonate, Type V distribution

#### Gaskets:

High-temperature silicone

#### Finish:

Formulated for high durability and long-lasting color

#### Green Technology:

Mercury and UV free. RoHS-compliant components.

#### Other

#### Equivalency:

Equivalent to 150W Metal Halide

#### Patents:

The designs of the ALED5T52 are protected by patents pending in US, Canada, China, Taiwan and Mexico

#### Warranty:

RAB warrants that our LED products will be free from defects in materials and workmanship for a period of five (5) years from the date of delivery to the end user, including coverage of light output, color stability, driver performance and fixture finish. RAB's warranty is subject to all terms and conditions found at [rablighting.com/warranty](http://rablighting.com/warranty).

#### Buy American Act Compliance:

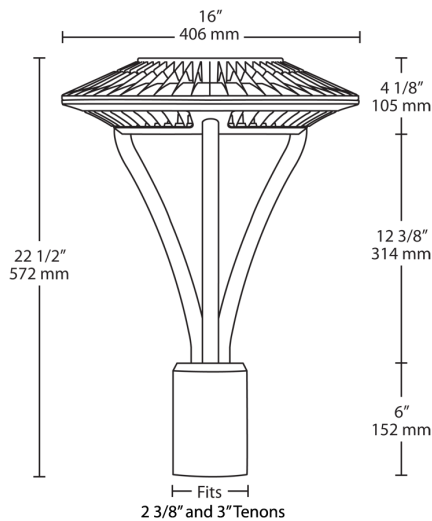
RAB values USA manufacturing! Upon request, RAB may be able to manufacture this product to be compliant with the Buy American Act (BAA). Please contact customer service to request a quote for the product to be made BAA compliant.

#### Optical

#### BUG Rating:

B3 U1 G1

## Dimensions



## Features

- IES type V (circular) distribution
- 100,000-hour LED lifespan
- Compatible with standard 2 3/8" and 3" tenons
- "Air-Flow" fins for maximum heat dissipation
- 5-Year, No-Compromise Warranty

## Ordering Matrix

Family	Distribution	Wattage	Color Temp	Finish	Driver Option	Options	Other Options
ALED	5T	52		W	/D10		
	5T = Type V	26 = 26W 52 = 52W 78 = 78W	Blank = 5000K (Cool) N = 4000K (Neutral) Y = 3000K (Warm)	Blank = Bronze W = White K = Black RG = Gray	Blank = 120-277V /D10 = Dimmable /BL = Bi-Level /480 = 480V /480/D10 = 480V w/ Dimmable	Blank = No Option /LC = Lightcloud Controller /PCT = 120-277V Twistlock Photocell /PCT4 = 480V Twistlock Photocell	USA = BAA Compliant Blank = Standard