



Project:	Type:
Prepared By:	Date:

Technical Specifications

Compliance

UL Listed:

Suitable for damp locations

Construction

Housing Component:

This component must be ordered with the Multi-Head gear tray in order to make a complete fixture. [See here for Multi-Head gear tray.](#)

Housing:

Professional-grade, heavy-gauge steel construction with 1/2" trim and three adjustment heights for gear trays

Mounting:

Housing includes nailer bars and butterfly brackets. Brackets also accommodate mounting with 1/4" to 1/2" bar stock, C channel or 1/2" conduit.

Easy Installation:

Ceiling clamps install quickly and hold housing securely. Clamp ceilings from 1/2" to 2 1/2" thick with course and fine adjustments.

Trim:

1/2" Trim

Other

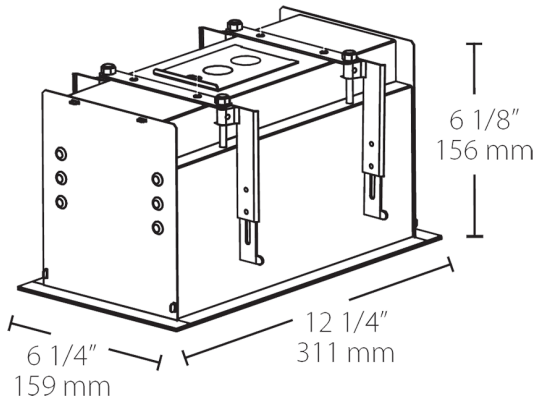
Warranty:

RAB warrants that our LED products will be free from defects in materials and workmanship for a period of five (5) years from the date of delivery to the end user, including coverage of light output, color stability, driver performance and fixture finish. RAB's warranty is subject to all terms and conditions found at rablighting.com/warranty.

Buy American Act Compliance:

RAB values USA manufacturing! Upon request, RAB may be able to manufacture this product to be compliant with the Buy American Act (BAA). Please contact customer service to request a quote for the product to be made BAA compliant.

Dimensions



Features

- Adjustable clamps for quick, secure installation
- Accommodates ceilings 1/2" - 2 1/2" thick
- Butterfly bracket allows mounting with bar stock, "C" channel, 1/2" conduit or nailer bars

Ordering Matrix

Family	Housing	Construction	Trim	Finish
MD	2	R	T	W

1 = 1 Head **N** = New Construction **TL** = Trimless **B** = Black
2 = 2 Heads **R** = Remodeler **T** = 1/2" Trim **W** = White
3 = 3 Heads
4 = 4 Heads