



The versatile, low-cost, low-profile wall pack. BRISK™ - efficient and affordable LED light.

Color: White

Weight: 4.9 lbs

**Project:**

**Type:**

**Prepared By:**

**Date:**

### Driver Info

Type	Constant Current
120V	0.19A
208V	0.13A
240V	0.11A
277V	0.10A
Input Watts	22.4W

### LED Info

Watts	22W
Color Temp	5000K (Cool)
Color Accuracy	75 CRI
L70 Lifespan	60,000 Hours
Lumens	3,219
Efficacy	143.7 lm/W

## Technical Specifications

### Compliance

#### UL Listed:

Suitable for wet locations

#### IESNA LM-79 & LM-80 Testing:

RAB LED luminaires and LED components have been tested by an independent laboratory in accordance with IESNA LM-79 and LM-80.

### Performance

#### Lifespan:

60,000-Hour LED lifespan based on IES LM-80 results and TM-21 calculations

### LED Characteristics

#### LEDs:

Long-life, high-efficacy, surface-mount LEDs

#### Color Uniformity:

RAB's range of Correlated Color Temperature follows the guidelines of the American National Standard for Specifications for the Chromaticity of Solid State Lighting (SSL) Products, ANSI C78.377-2017.

### Electrical

#### Driver:

Constant Current, Class 2, 50/60Hz, 120V: 0.19A, 208V: 0.13A, 240V: 0.11A, 277V: 0.10A

#### THD:

12.2% at 120V, 12% at 277V

#### Power Factor:

98.9% at 120V, 91.6% at 277V

#### Surge Protection:

2kV

#### Photocell:

120-277V Button Photocell Included. Photocell is compatible with 120V-277V.

### Construction

#### IP Rating:

Ingress Protection rating of IP66 for dust and water

#### Maximum Ambient Temperature:

Suitable for use in up to 40°C (104°F)

#### Cold Weather Starting:

Minimum starting temperature is -40°C (-40°F)

#### Housing:

Precision die-cast aluminum

## Technical Specifications (continued)

### Construction

#### Reflector:

Specular

#### Lens:

Diffused acrylic

#### Mounting:

Heavy duty, die-cast junction box with four (4) conduit entries (one top, two side, one back)

#### Gaskets:

Silicone foam

#### Finish:

Formulated for high durability and long-lasting color

#### Green Technology:

Mercury and UV free. RoHS-compliant components.

#### Optical

#### BUG Rating:

B1 U3 G2

#### Other

#### Equivalency:

Equivalent to 100W Metal Halide or 100W HPS

#### 5 Yr Limited Warranty:

The RAB 5-year, limited warranty covers light output, driver performance and paint finish. RAB's warranty is subject to all terms and conditions found at [rablighting.com/warranty](http://rablighting.com/warranty).

#### Buy American Act Compliance:

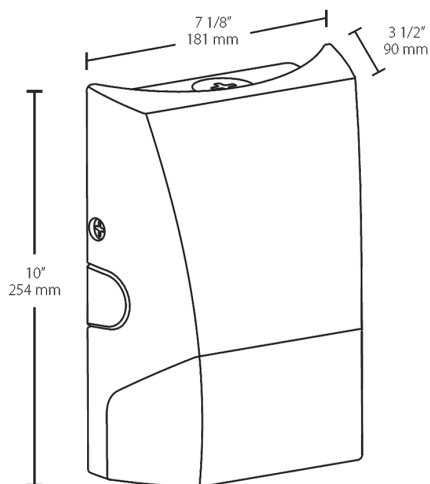
RAB values USA manufacturing! Upon request, RAB may be able to manufacture this product to be compliant with the Buy American Act (BAA). Please contact customer service to request a quote for the product to be made BAA compliant.

#### Listings

#### DLC Listed:

This product is listed by Design Lights Consortium (DLC) as an ultra-efficient premium product that qualifies for the highest tier of rebates from DLC Member Utilities. DLC Product Code: PUTPMUWL

## Dimensions



## Features

- Economical
- Traditional non-cutoff design
- 60,000-hour LED lifespan
- 5-Year, Limited Warranty

## Ordering Matrix

Family	Lumen Package/Wattage	CCT/CRI	Finish	Options
BRISK	M32L		W	/PCU
	<b>S11L</b> = 1100 lumens / 9W <b>S17L</b> = 1700 lumens / 14W <b>M32L</b> = 3200 lumens / 22W <b>M48L</b> = 4800 lumens / 35W	<b>Blank</b> = 5000K Cool / 70 CRI <b>740</b> = 4000K Neutral / 70 CRI <b>730</b> = 3000K Warm / 70 CRI	<b>Blank</b> = Bronze <b>W</b> = White	<b>Blank</b> = No Option <b>/PCU</b> = 120-277V Photocell