



The versatile, low-cost, low-profile wall pack. BRISK™ - efficient and affordable LED light.

Color: White

Weight: 2.0 lbs

Project:

Type:

Prepared By:

Date:

Driver Info

Type	Constant Current
120V	0.07A
208V	0.05A
240V	0.04A
277V	0.03A
Input Watts	9.4W

LED Info

Watts	9W
Color Temp	3000K (Warm)
Color Accuracy	71 CRI
L70 Lifespan	60,000 Hours
Lumens	1,124
Efficacy	119.6 lm/W

Technical Specifications

Compliance

UL Listed:

Suitable for wet locations

IESNA LM-79 & LM-80 Testing:

RAB LED luminaires and LED components have been tested by an independent laboratory in accordance with IESNA LM-79 and LM-80.

Performance

Lifespan:

60,000-Hour LED lifespan based on IES LM-80 results and TM-21 calculations

LED Characteristics

LEDs:

Long-life, high-efficacy, surface-mount LEDs

Color Uniformity:

RAB's range of Correlated Color Temperature follows the guidelines of the American National Standard for Specifications for the Chromaticity of Solid State Lighting (SSL) Products, ANSI C78.377-2017.

Electrical

Driver:

Constant Current, Class 2, 50/60Hz, 120V: 0.07A, 208V: 0.05A, 240V: 0.04A, 277V: 0.03A

THD:

8.3% at 120V, 14.5% at 277V

Power Factor:

99.6% at 120V, 91.3% at 277V

Surge Protection:

2.5kV

Construction

IP Rating:

Ingress Protection rating of IP66 for dust and water

Maximum Ambient Temperature:

Suitable for use in up to 40°C (104°F)

Cold Weather Starting:

The minimum starting temperature is -30°C (-22°F)

Housing:

Precision die-cast aluminum

Reflector:

Specular

Technical Specifications (continued)

Construction

Lens:

Diffused acrylic

Mounting:

Heavy duty, die-cast junction box with four (4) conduit entries (one top, two side, one back)

Gaskets:

Silicone foam

Finish:

Formulated for high durability and long-lasting color

Green Technology:

Mercury and UV free. RoHS-compliant components.

Optical

BUG Rating:

B0 U3 G1

Other

Equivalency:

Equivalent to 35W HPS or 50W Metal Halide

5 Yr Limited Warranty:

The RAB 5-year, limited warranty covers light output, driver performance and paint finish. RAB's warranty is subject to all terms and conditions found at rablighting.com/warranty.

Replacement:

Replaces 75A/IF incandescent Inside Frost or 13W CFL

Buy American Act Compliance:

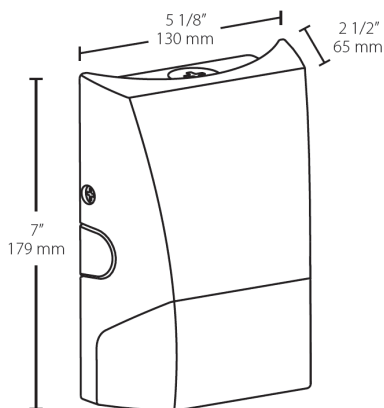
RAB values USA manufacturing! Upon request, RAB may be able to manufacture this product to be compliant with the Buy American Act (BAA). Please contact customer service to request a quote for the product to be made BAA compliant.

Listings

DLC Listed:

This product is on the Design Lights Consortium (DLC) Qualified Products List and is eligible for rebates from DLC Member Utilities. DLC Product Code: PI9B66QH

Dimensions



Features

- Economical
- Traditional non-cutoff design
- 60,000-hour LED lifespan
- 5-Year, Limited Warranty

Ordering Matrix

Family	Lumen Package/Wattage	CCT/CRI	Finish	Options
BRISK	S11L	730	W	
	S11L = 1100 lumens / 9W S17L = 1700 lumens / 14W M32L = 3200 lumens / 22W M48L = 4800 lumens / 35W	Blank = 5000K Cool / 70 CRI 740 = 4000K Neutral / 70 CRI 730 = 3000K Warm / 70 CRI	Blank = Bronze W = White	Blank = No Option /PCU = 120-277V Photocell