



Color: Bronze

Weight: 2.0 lbs

Project:	Type:
Prepared By:	Date:

Driver Info		LED Info	
Type	Constant Current	Watts	34/25/13W
120V	0.30A/0.21A/0.11A	Color Temp	5000K
208V	N/A	Color Accuracy	85/86/86 CRI
240V	N/A	L70 Lifespan	50,000 Hours
277V	N/A	Lumens	3,907/2,827/1,493 lm
Input Watts	35.3/24.5/12.7W	Efficacy	110.7/115.4/117.6 lm/W

Technical Specifications

Field Adjustability

Field Adjustable:

Field Adjustable Light Output:
34/25/13 (factory default 34W)

Compliance

UL Listed:

Suitable for wet locations

IESNA LM-79 & LM-80 Testing:

RAB LED luminaires and LED components have been tested by an independent laboratory in accordance with IESNA LM-79 and LM-80.

IP Rating:

Ingress protection rating of IP65 for dust and water

DLC Listed:

This product is on the Design Lights Consortium (DLC) Qualified Products List and is eligible for rebates from DLC Member Utilities. Designed to meet DLC 5.1 requirements.
DLC Product Code: S-6H8310

Performance

Lifespan:

50,000-Hour LED lifespan based on IES LM-80 results and TM-21 calculations

Wattage Equivalency:

34W: Replaces up to 150W Metal Halide (MH) or 100W High Pressure Sodium (HPS)

25W: Replaces up to 100W Metal Halide (MH) or 100W High Pressure Sodium (HPS)

13W: Replaces up to 70W Metal Halide (MH) or 50W High Pressure Sodium (HPS)

LED Characteristics

LEDs:

Long-life, high-efficacy, surface-mount LEDs

Color Consistency:

7-step MacAdam Ellipse binning to achieve consistent fixture-to-fixture color

Construction

Cold Weather Starting:

The minimum starting temperature is -40°C (-40°F)

Maximum Ambient Temperature:

Suitable for use in up to 40°C (104°F)

Housing:

Precision die-cast aluminum / Polycarbonate

Lens:

Polycarbonate lens

Reflector:

Mirror finish on polycarbonate

Mounting:

Hinged wiring access and conduit entries on the back sides, top and bottom make installation a snap

Finish:

Formulated for high durability and long-lasting color

Green Technology:

Mercury and UV free. RoHS-compliant components.

Electrical

Driver:

Integrated driver, 60 Hz, 120V:
34W: 0.30A
25W: 0.21A
13W: 0.11A

THD:

12.48% at 120V

Power Factor:

99.1% at 120V

Surge Protection:

4kV

Technical Specifications (continued)

Optical

BUG Rating:

34W: B2 U0 G1

25W: B1 U0 G1

13W: B1 U0 G0

Other

Note:

All values are typical (tolerance +/- 10%)

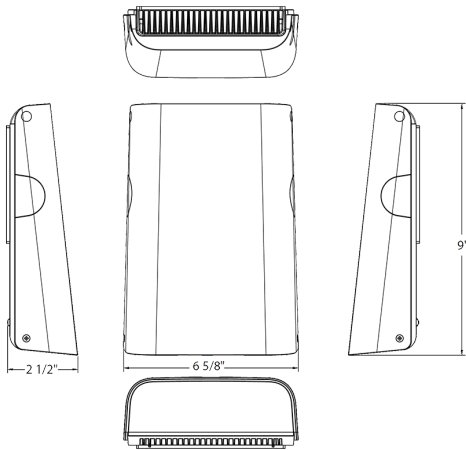
5 Yr Limited Warranty:

The RAB 5-year, limited warranty covers light output, driver performance and paint finish. RAB's warranty is subject to all terms and conditions found at rablighting.com/warranty.

Buy American Act Compliance:

RAB values USA manufacturing! Upon request, RAB may be able to manufacture this product to be compliant with the Buy American Act (BAA). Please contact customer service to request a quote for the product to be made BAA compliant.

Dimensions



Features

- Selectable Wattages
- Full cutoff
- 120V
- 5-Year, limited warranty

Ordering Matrix

Family	Wattage	Color Temp	Finish	Voltage
SLIM15				
	Blank = 34/25/13W	Blank = 5000K N = 4000K	Blank = Bronze W = White	Blank = 120V