

INSTRUCTIONS

SLIM®15 FIELD-ADJUSTABLE INSTALLATION

RAB®

RAB Lighting is committed to creating high-quality, affordable, well-designed and energy-efficient LED lighting and controls that make it easy for electricians to install and end users to save energy. We'd love to hear your comments. Please call the Marketing Department at 888-RAB-1000 or email: marketing@rablighting.com



IMPORTANT

READ CAREFULLY BEFORE INSTALLING FIXTURE. RETAIN THESE INSTRUCTIONS FOR FUTURE REFERENCE.

RAB fixtures must be wired in accordance with the National Electrical Code and all applicable local codes. Proper grounding is required for safety. THIS PRODUCT MUST BE INSTALLED IN ACCORDANCE WITH THE APPLICABLE INSTALLATION CODE BY A PERSON FAMILIAR WITH THE CONSTRUCTION AND OPERATION OF THE PRODUCT AND THE HAZARDS INVOLVED.

WARNING: Make certain power is OFF before installing the fixture. No user serviceable parts inside.

Suitable for Wet locations. Suitable for operation in ambient not exceeding 45°. 120V only. Wall Mount only.

MOUNTING

NOTE: A Conduit entry accessory is available (sold separately), Model # SLIM-CONDUIT.

To ensure weatherproof seal, apply weatherproof silicone sealant around the edge of the **Housing** and/or **Junction Box** as shown in **Fig 1**. This is especially important with an uneven wall surface. Silicone all plugs and unused conduit entries.

1. To open **Housing Cover**, loosen the **Cover Screws (2)** on the sides of the **Housing**, one on each side. Lift to open the **Housing Cover**. **Housing Cover** will stay in position on full open (**Fig. 1**).
2. Knock out appropriate **Slots** when mounting to a **Junction Box (by others)** or Lag Bolt to mounting surface using locations shown in **Fig. 2**. Use **Leveling Bubble** to level the fixture.
3. Feed supply wires through the **Junction Box** or through **Conduit Side Entry (Fig. 1)**. A **Conduit** accessory for side entry is sold separately, Model # SLIM-CONDUIT.
4. Check that the **Wall Gasket** is fully sealed.
5. Connect the fixture wires to the supply wires making sure to use correct UL rated wires connectors as required by the NEC to complete any electrical splices and connections.
6. Bundle the wires in a tight group to be moved out of the way and make sure the **Housing Gasket** is properly seated. Close the **Housing Cover** and tighten **Cover Screws (2)**.
7. Silicone all **Plugs** and unused conduit entries. If the outdoor surface is irregular, use caulk to seal any gaps around the housing.

Fig. 1

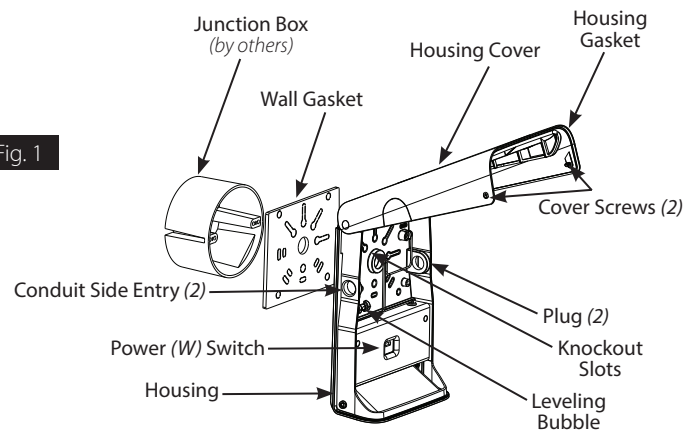
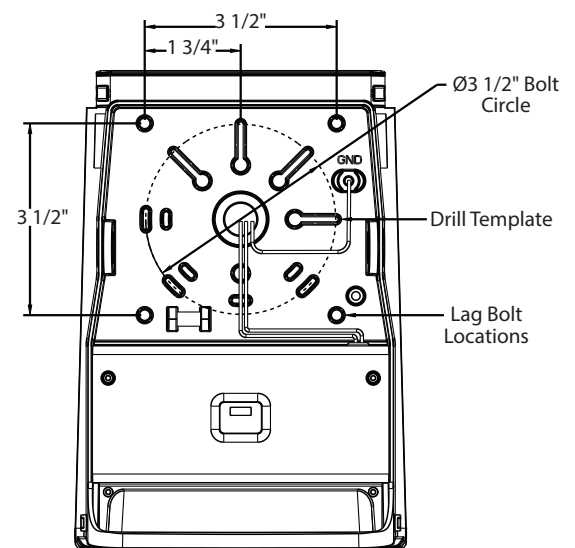


Fig. 2



INSTRUCTIONS

SLIM[®]15 FIELD-ADJUSTABLE INSTALLATION

RAB[®]

RAB Lighting is committed to creating high-quality, affordable, well-designed and energy-efficient LED lighting and controls that make it easy for electricians to install and end users to save energy. We'd love to hear your comments. Please call the Marketing Department at 888-RAB-1000 or email: marketing@rablighting.com

FIELD ADJUSTMENT

Power (W) Selection:

This product is equipped with 34/25/13W Power (W) output selection.

Color Temperature (CCT) Selection:

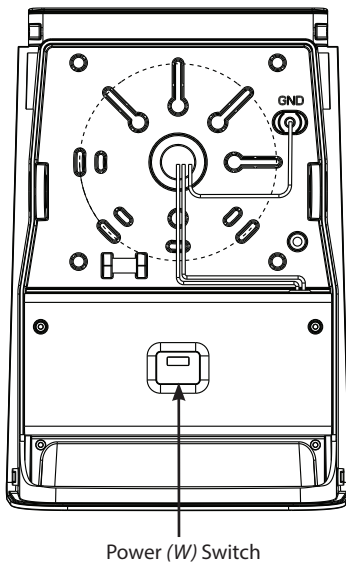
This product is equipped with 5000K, 4000K or 3000K CCT Color Temperature selection. For maximum light output use the 4000K.

Follow instructions below to change Power (W) from factory setting.

Factory Setting: 34W Power

1. Locate the selector switch on the **Housing** as shown in Fig. 3.
2. Select Power (W) by sliding the switch to the desired value.

Fig. 3

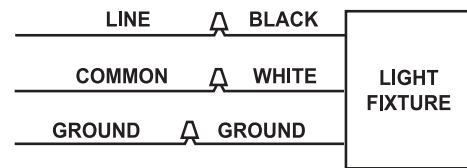


ON/OFF WIRING

Voltage driver permits operation at 120V **only**, 50 or 60 Hz.

1. Connect the black fixture lead to the **LINE** supply lead.
2. Connect the white fixture lead to the **COMMON** supply lead.
3. Connect the bare copper **GROUND** wire from fixture to supply GROUND.

Fig. 4



CLEANING

CAUTION: Be sure fixture temperature is cool enough to touch. Do not clean or maintain while fixture is energized.

1. Clean polycarbonate lens with non-abrasive glass cleaning solution.
2. Do not open the fixture to clean the LED. Do not touch the LED.

TROUBLESHOOTING

1. Check that the line voltage at fixture is correct. Refer to wiring directions.
2. Is the fixture grounded properly?

Note: These instructions do not cover all details or variations in equipment nor do they provide for every possible situation during installation, operation or maintenance.

RAB[®]

© 2024 RAB LIGHTING Inc.

Easy Answers

rablighting.com
Visit our website for product info

Tech Help Line
Call our experts: 888 722-1000

e-mail
Answered promptly - sales@rablighting.com

Free Lighting Layouts
Answered online or by request

SLIM15 -IN- 0423
P-100600

RAB WARRANTY: RAB's warranty is subject to all terms and conditions found at rablighting.com/warranty.